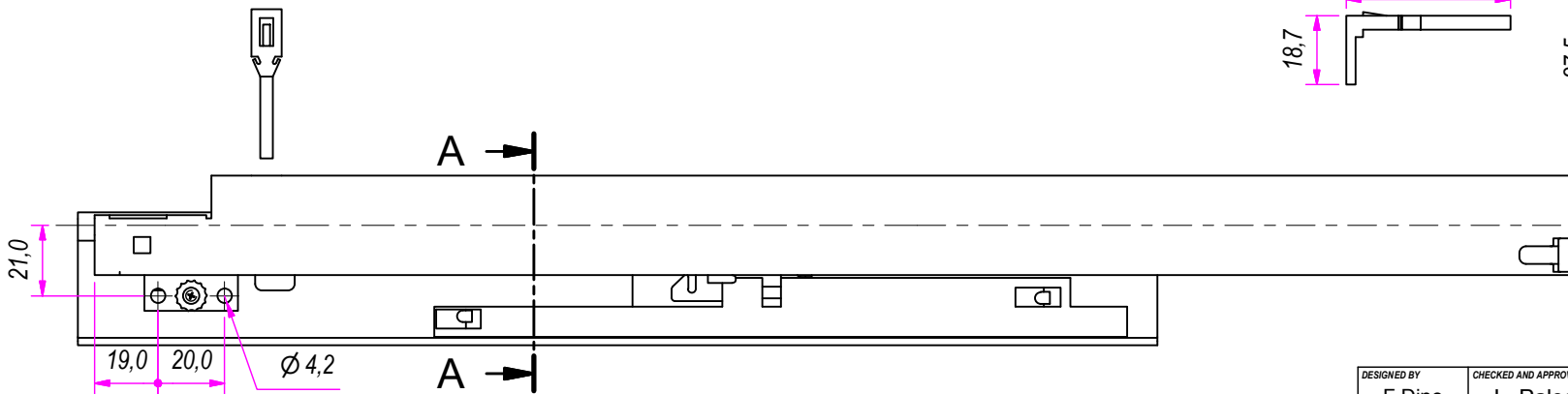
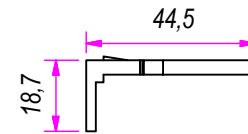
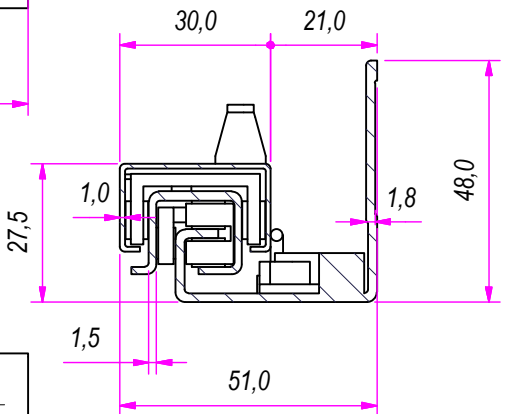


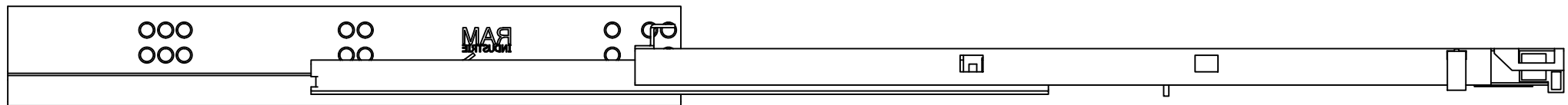
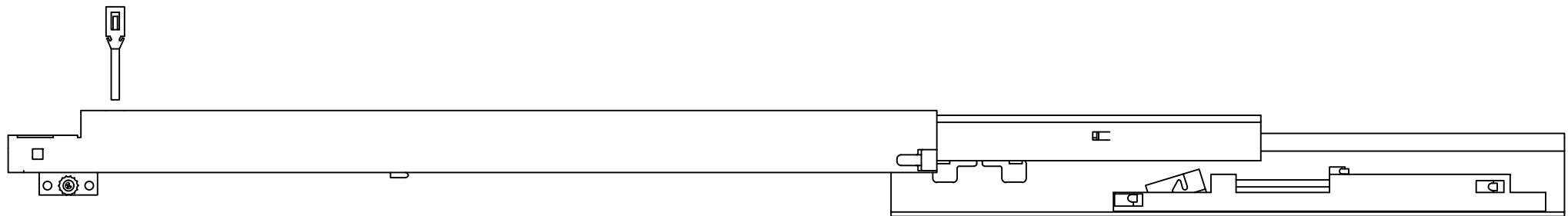
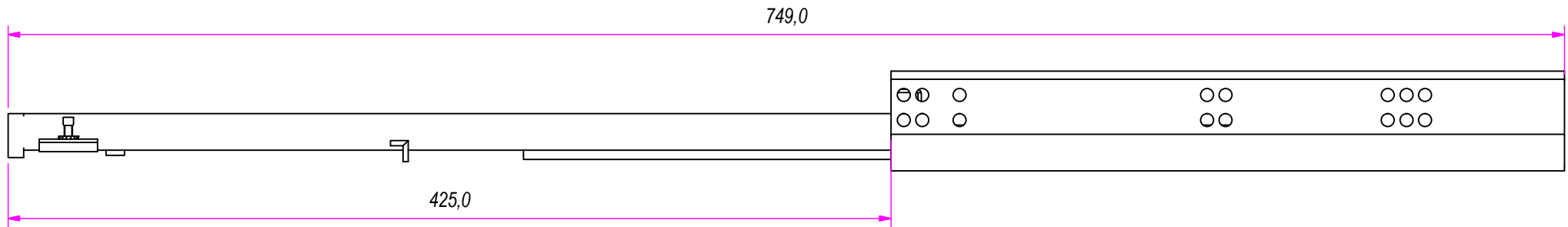
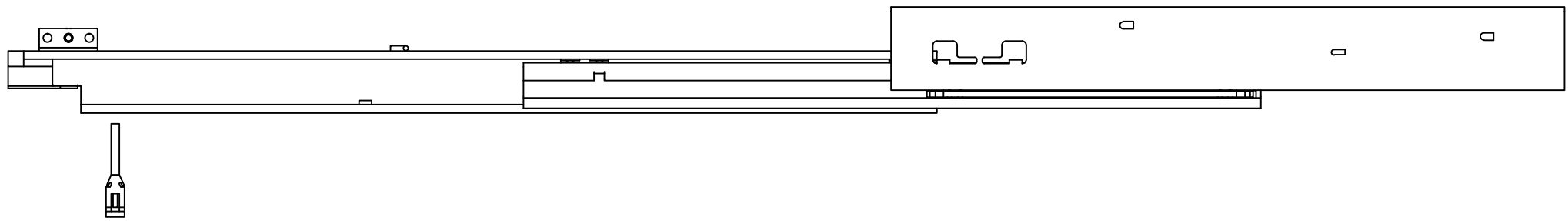
SEZ. A-A



DESIGNED BY F. Dino	CHECKED AND APPROVED BY L. Paleari	GENERAL TOLERANCE SS-ISO-2768-1M	DATE 10/03/2017	CODE Q17450
		PACKAGING Carton 10 sets/Packed R+L	UNIT mm	SHEET 1 of 3
		DESCRIPTION Push&Rebound system	MATERIAL Cold rolled steel	
		PAIR WEIGHT 1,884 Kg	04C	


REVISION HISTORY		REV	DESCRIPTION	DATE
Guide per cassetti; guide telescopiche	Coulisses à billes; coulisse télescopique	1a		10/03/2017
Drawer slide; telescopic ball bearing slide	Guías para cajones; guía teleópica			
Kugelführung; Teleskopschienen				

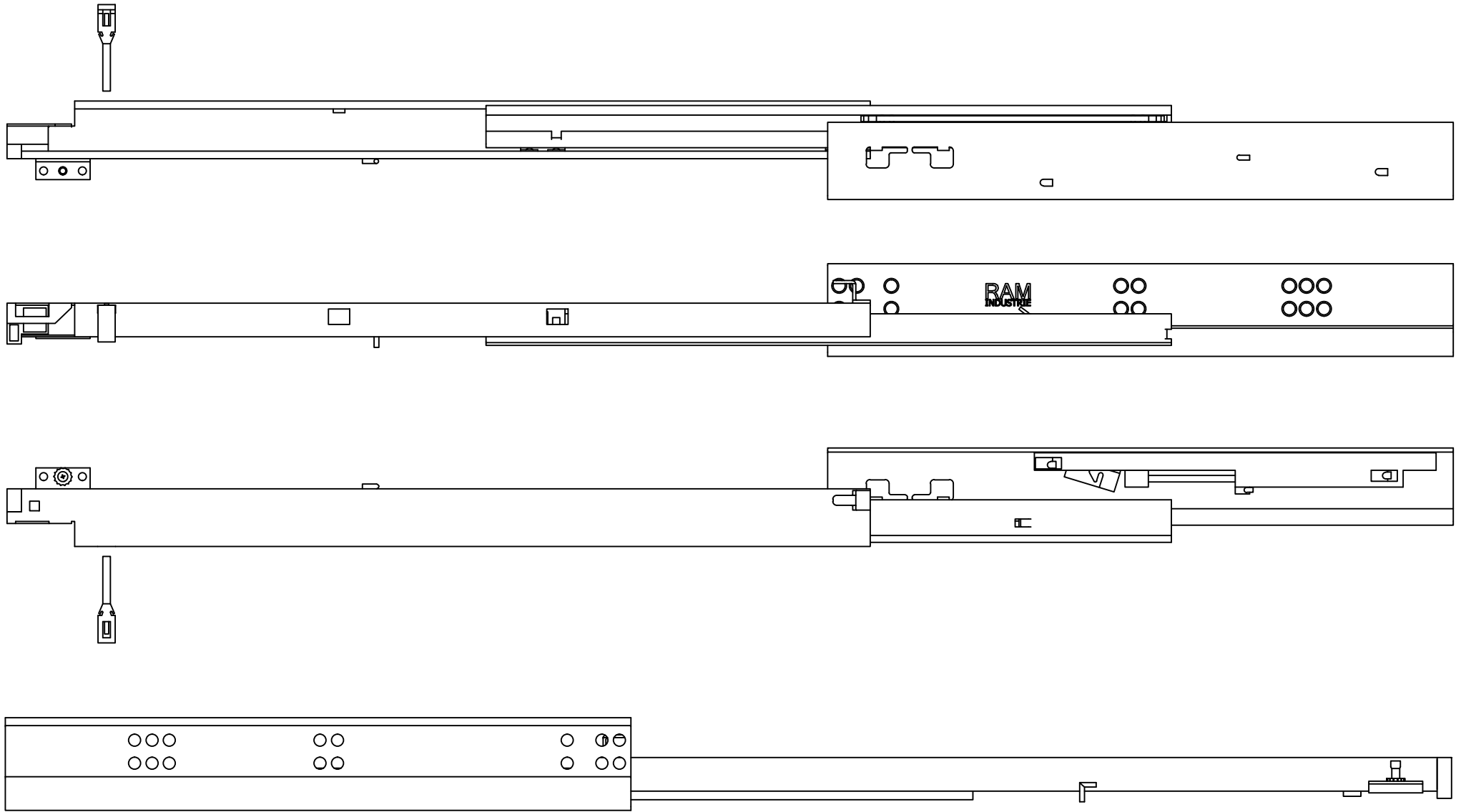
Property of RAM Industrie.
Without its written authorization the present drawing shall neither be used for construction anyway, communicated to third parties, nor reproduced.




Guide per cassetti; guide telescopiche	Coulisses à billes; coulisse télescopique
Drawer slide; telescopic ball bearing slide	Guías para cajones; guía teleópica
Kugelführung; Teleskopschienen	

REVISION HISTORY		
REV	DESCRIPTION	DATE
1a		10/03/2017

DESIGNED BY F. Dino	CHECKED AND APPROVED BY L. Paleari	GENERAL TOLERANCE SS-ISO-2768-1M	DATE 10/03/2017	CODE Q17450	
			PACKAGING Carton 10 sets/Packed R+L	UNIT mm	SHEET 2 of 3
			DESCRIPTION Push&Rebound system	MATERIAL Cold rolled steel	PAIR WEIGHT 1,884 Kg
Property of RAM Industrie. Without its written authorization the present drawing shall neither be used for construction anyway, communicated to third parties, nor reproduced.					



DESIGNED BY F.Dino	CHECKED AND APPROVED BY L. Paleari	GENERAL TOLLERANCE SS-ISO-2768-1M	DATE 10/03/2017	CODE Q17450
		PACKAGING Carton 10 sets/Packed R+L	UNIT mm	SHEET 3 of 3
		DESCRIPTION Push&Rebound system	MATERIAL Cold rolled steel	PAIR WEIGHT 1,884 Kg
04C				
Property of RAM Industrie. Without its written authorization the present drawing shall neither be used for construction anyway, communicated to third parties, nor reproduced.				