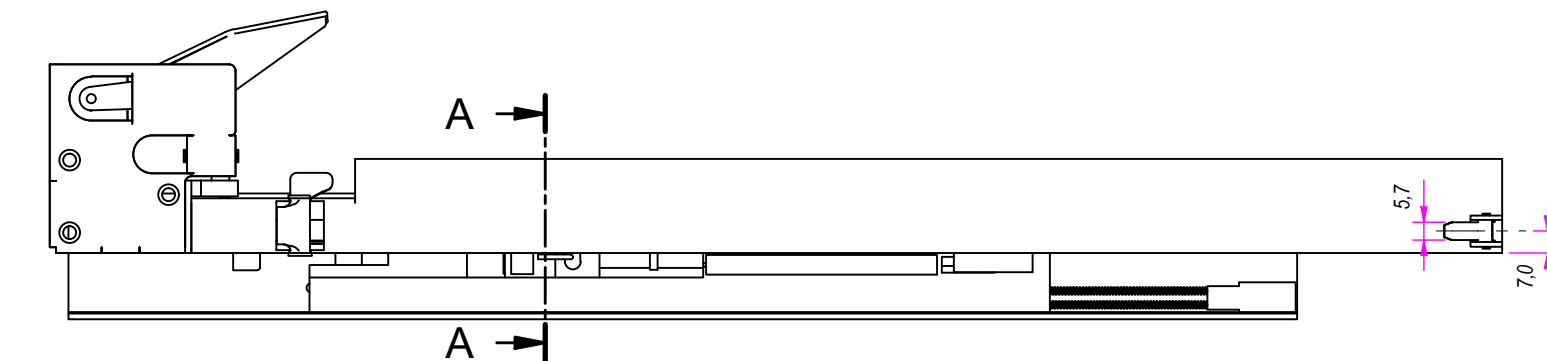
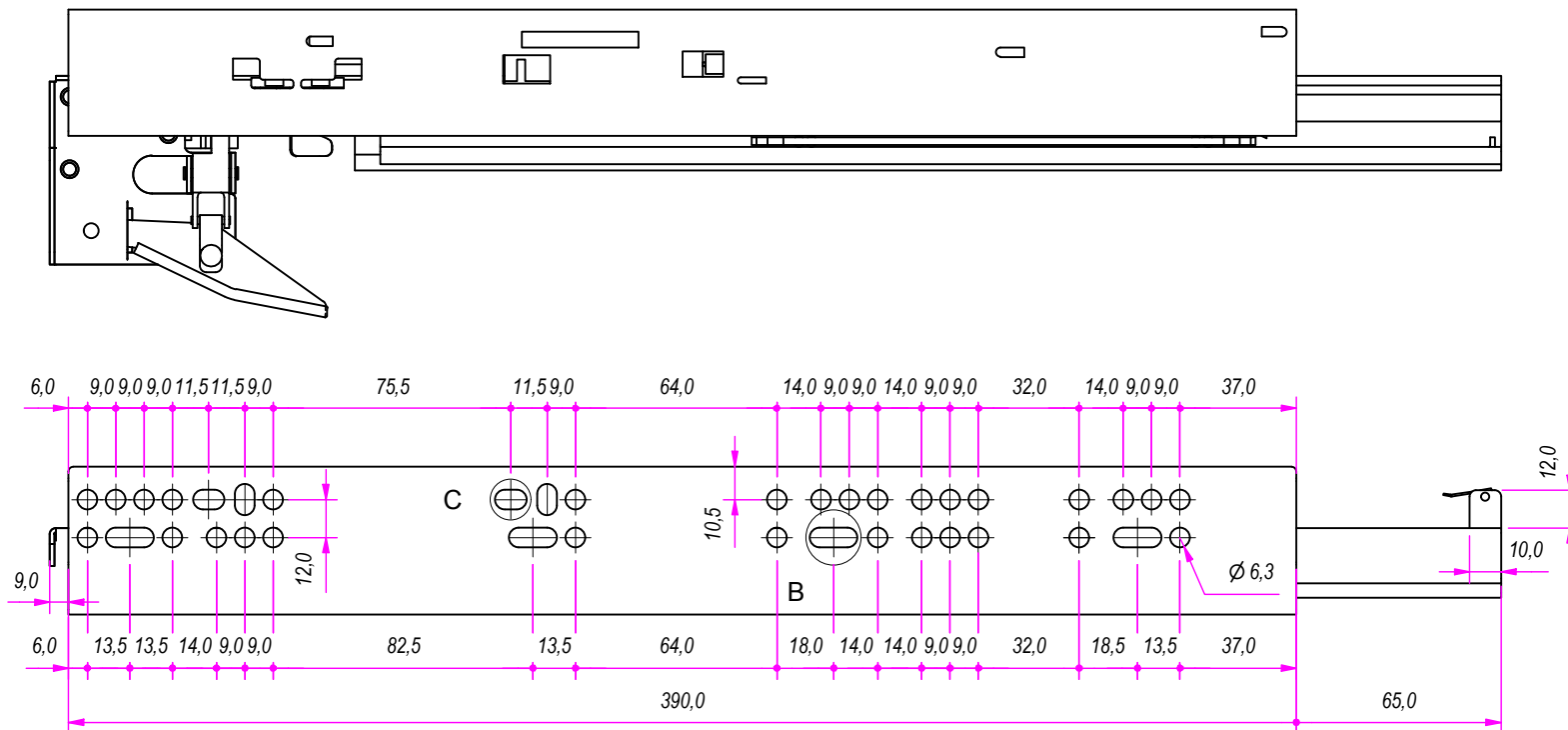
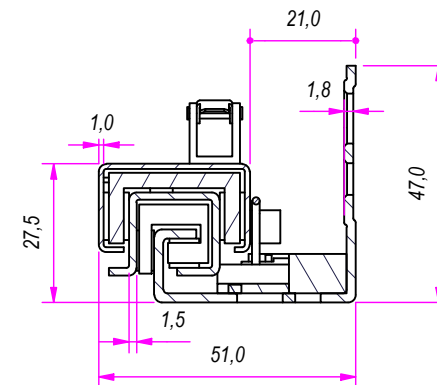
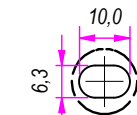
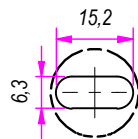


SEZ. A-A



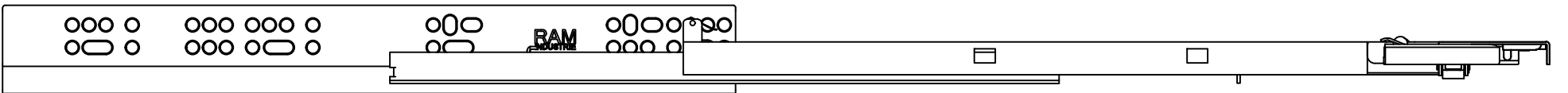
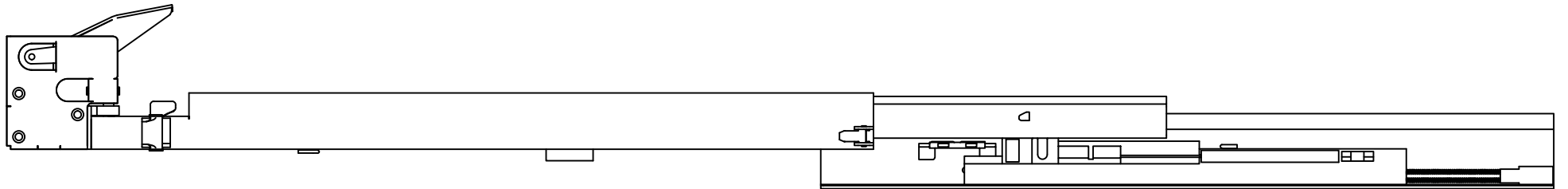
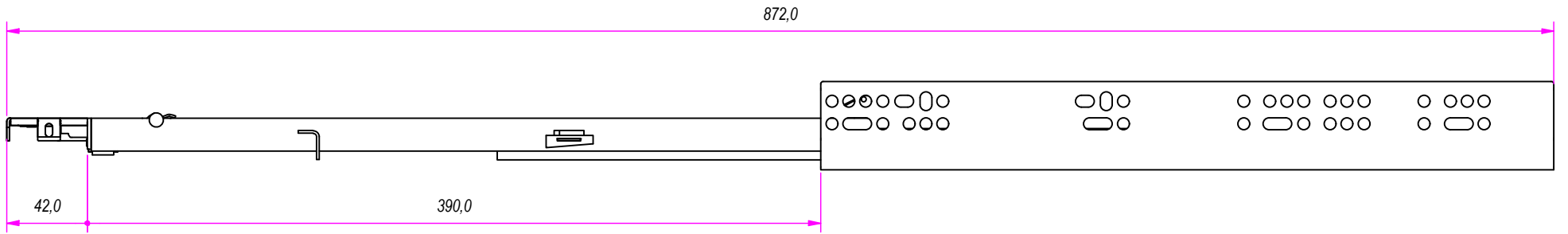
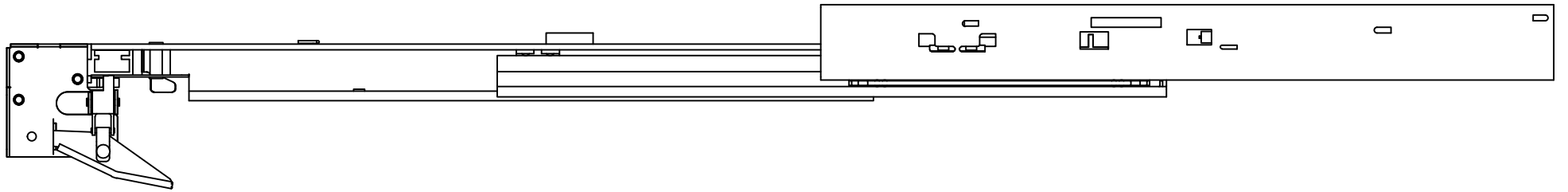
B (1 : 1.5) C (1 : 1.5)



DESIGNED BY F. Dino	CHECKED AND APPROVED BY L. Paleari	GENERAL TOLERANCE SS-ISO-2768-1M	DATE 16/07/2018	CODE Q23450
		PACKAGING Carton 10 sets/Packed R+L	UNIT mm	SHEET 1 of 3
		DESCRIPTION	MATERIAL Cold rolled steel 04C	
DEVICE Soft self closing/ Oil piston/Push&Rebound		PAIR WEIGHT 2,146 Kg	PAIR WEIGHT WITH CARTON 2,233 Kg	


REVISION HISTORY		REV	DESCRIPTION	DATE
Guide per cassetti; guide telescopiche	Coulisses à billes; coulisse télescopique	1a		16/07/2018
Drawer slide; telescopic ball bearing slide	Guías para cajones; guía teleópica			
Kugelführung; Teleskopschienen				

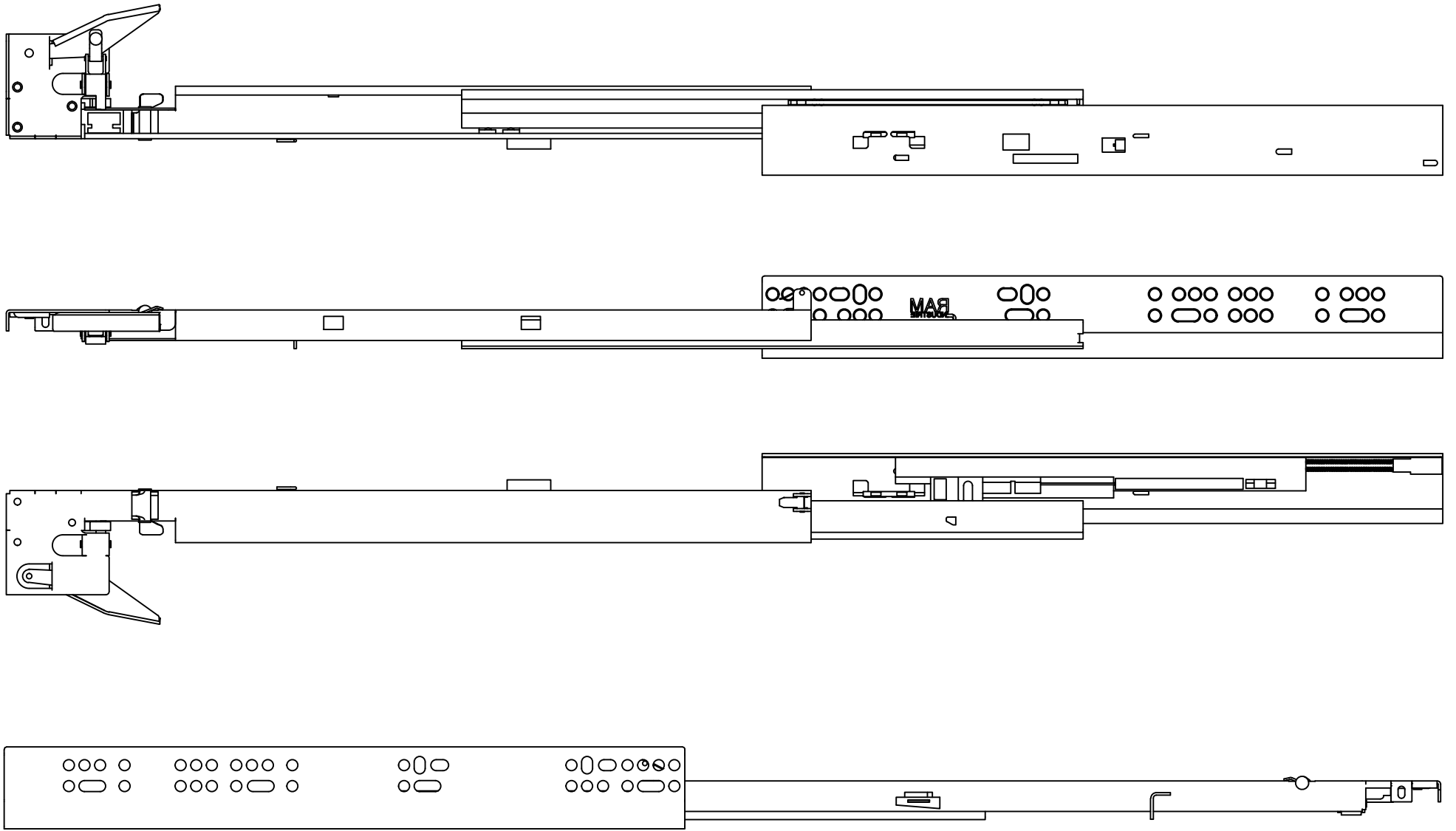
Property of RAM Industrie.
Without its written authorization the present drawing shall neither be used for construction anyway, communicated to third parties, nor reproduced.




Guide per cassetti; guide telescopica	Coulisses à billes; coulisse télescopique
Drawer slide; telescopic ball bearing slide	Guías para cajones; guía teleópica
Kugelführung; Teleskopschienen	

REVISION HISTORY		
REV	DESCRIPTION	DATE
1a		16/07/2018

DESIGNED BY F. Dino	CHECKED AND APPROVED BY L. Paleari	GENERAL TOLLERANCE SS-ISO-2768-1M	DATE 16/07/2018	CODE Q23450	
			PACKAGING Carton 10 sets/Packed R+L	UNIT mm	SHEET 2 of 3
			DESCRIPTION	MATERIAL Cold rolled steel	
DEVICE Soft self closing/ Oil piston/Push&Rebound			PAIR WEIGHT 2,146 Kg	PAIR WEIGHT WITH CARTON 2,233 Kg	
Property of RAM Industrie. Without its written authorization the present drawing shall neither be used for construction anyway, communicated to third parties, nor reproduced.					



DESIGNED BY F.Dino	CHECKED AND APPROVED BY L. Paleari	GENERAL TOLLERANCE SS-ISO-2768-1M	DATE 16/07/2018	CODE Q23450
		PACKAGING Carton 10 sets/Packed R+L	UNIT mm	SHEET 3 of 3
		DESCRIPTION	MATERIAL Cold rolled steel 04C	
DEVICE Soft self closing/ Oil piston/Push&Rebound	PAIR WEIGHT 2,146 Kg	PAIR WEIGHT WITH CARTON 2,233 Kg		

Property of RAM Industrie.
Without its written authorization the present drawing shall neither be used for construction anyway, communicated to third parties, nor reproduced.