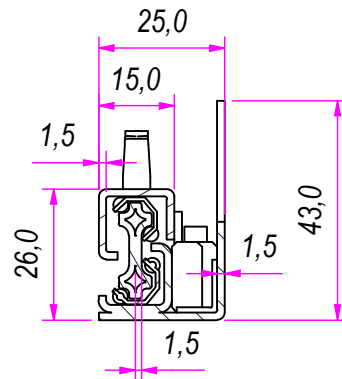
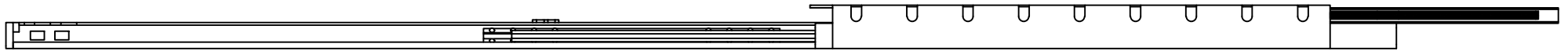


SEZ. A-A

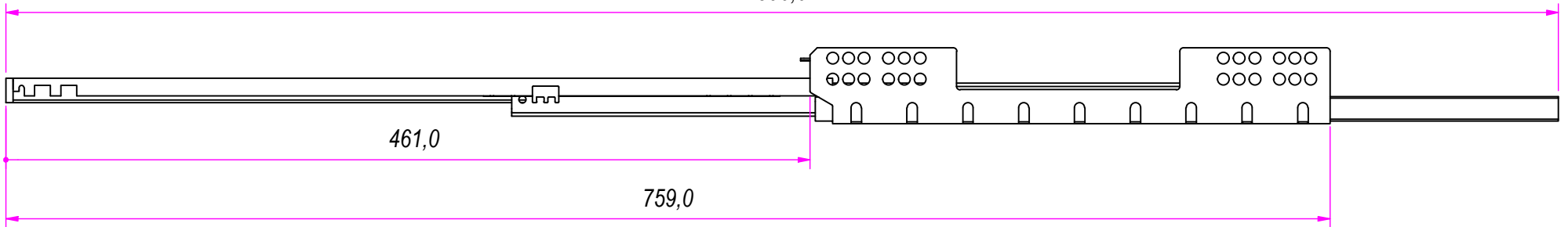


Guide per cassetti; guide telescopiche		REVISION HISTORY	
Drawer slide; telescopic ball bearing slide	Coulisses à billes; coulisse télescopique	REV	DESCRIPTION
Kugelführung; Teleskopschienen	Guías para cajones; guía teleópica	1	DATE

DESIGNED BY F. Dino	CHECKED AND APPROVED BY L. Paleari	GENERAL TOLERANCE SS-ISO-2768-1M	DATE 28/01/2022	CODE Q25470
		PACKAGING Carton 10 sets/Packed R+L	UNIT mm	SCALE 1 of 3
		DESCRIPTION Soft-self closing	MATERIAL Cold rolled steel	PAIR WEIGHT 1,516 Kg 09C
Property of RAM Industrie.				
Without its written authorization the present drawing shall neither be used for construction anyway, communicated to third parties, nor reproduced.				



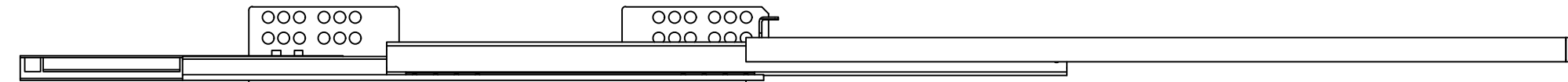
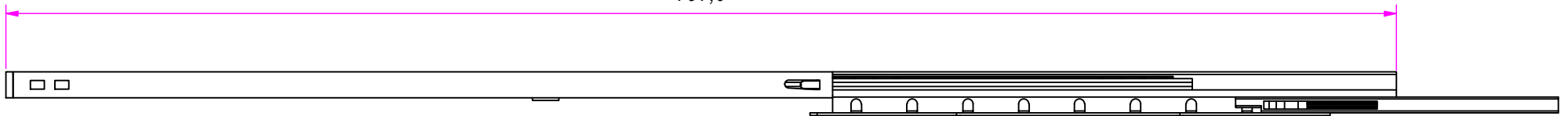
890,0




461,0

759,0

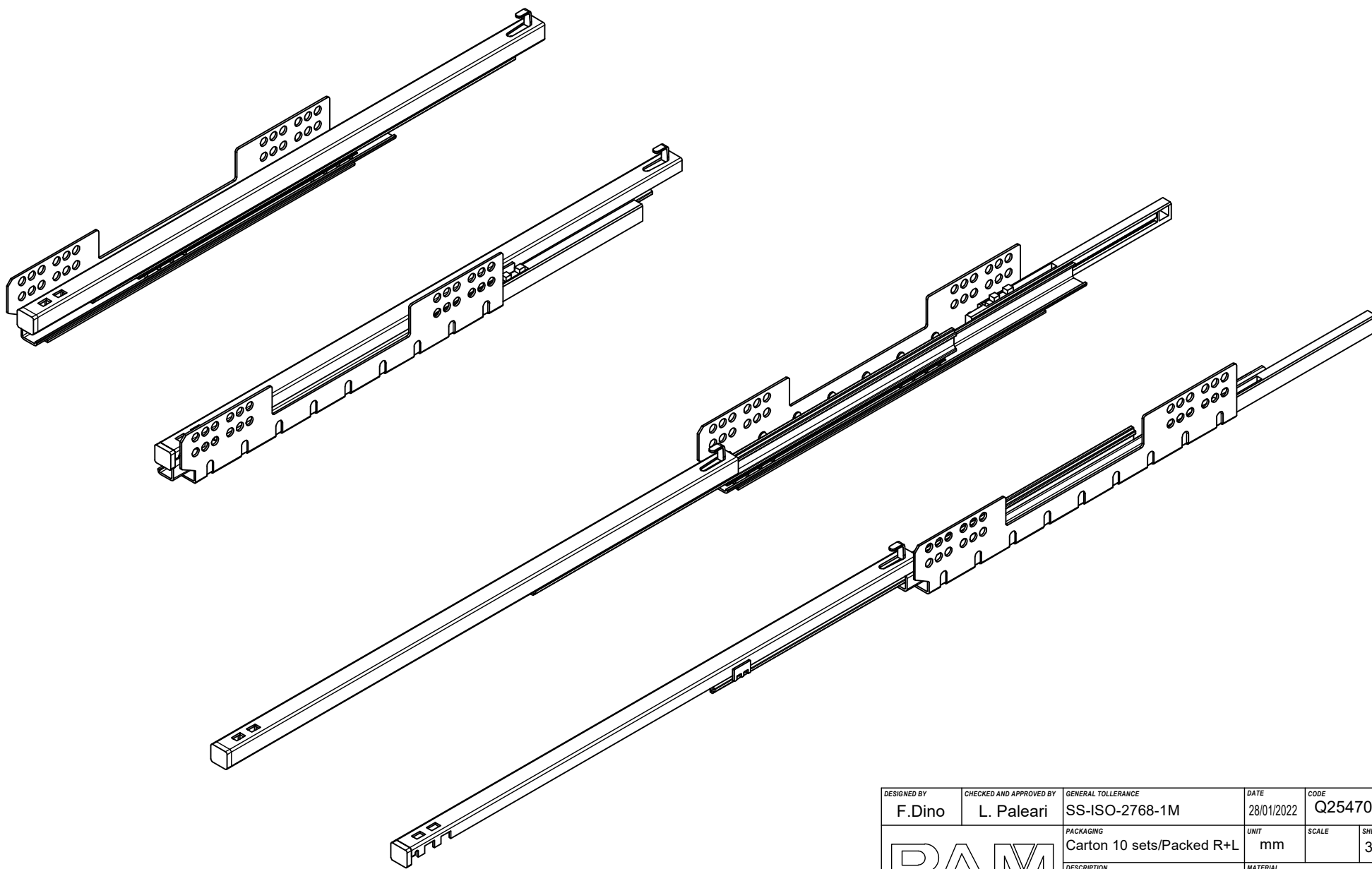
797,0




DESIGNED BY F.Dino	CHECKED AND APPROVED BY L. Paleari	GENERAL TOLLERANCE SS-ISO-2768-1M	DATE 28/01/2022	CODE Q25470
		PACKAGING Carton 10 sets/Packed R+L	UNIT mm	SCALE 2 of 3
		DESCRIPTION Soft-self closing	MATERIAL Cold rolled steel	PAIR WEIGHT 1,516 Kg
		DATE 28/01/2022		

		REVISION HISTORY		
	REV	DESCRIPTION	DATE	
Guide per cassetti; guide telescopiche				
Drawer slide; telescopic ball bearing slide		Coulisses à billes; coulisse télescopique	1	28/01/2022
Kugelführung; Teleskopschienen		Guías para cajones; guía telescópica	1	28/01/2022

Property of RAM Industrie.
Without its written authorization the present drawing shall neither be used for construction anyway, communicated to third parties, nor reproduced.



DESIGNED BY F. Dino	CHECKED AND APPROVED BY L. Paleari	GENERAL TOLLERANCE SS-ISO-2768-1M	DATE 28/01/2022	CODE Q25470
		PACKAGING Carton 10 sets/Packed R+L	UNIT mm	SCALE 3 of 3
		DESCRIPTION Soft-self closing	MATERIAL Cold rolled steel	PAIR WEIGHT 1,516 Kg

		REVISION HISTORY		
		REV	DESCRIPTION	DATE
Guide per cassetti; guide telescopiche		1		28/01/2022
Drawer slide; telescopic ball bearing slide	Coulisses à billes; coulisse télescopique			
Kugelführung; Teleskopschienen	Guías para cajones; guía teleópica			

Property of RAM Industrie.
Without its written authorization the present drawing shall neither be used for construction anyway, communicated to third parties, nor reproduced.