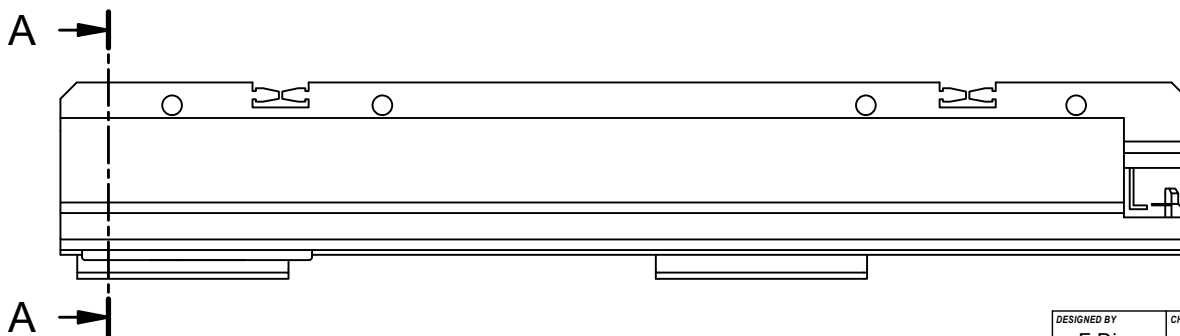
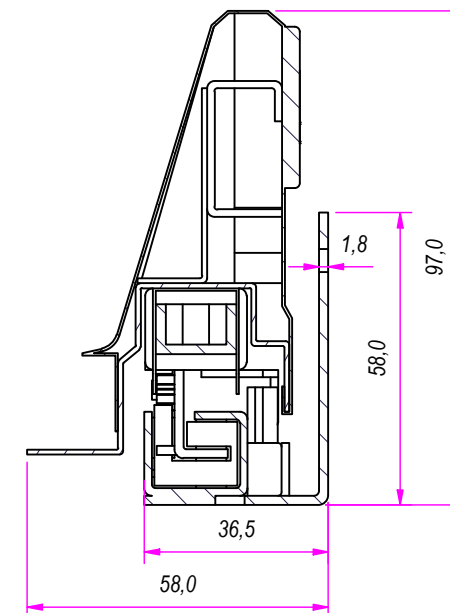


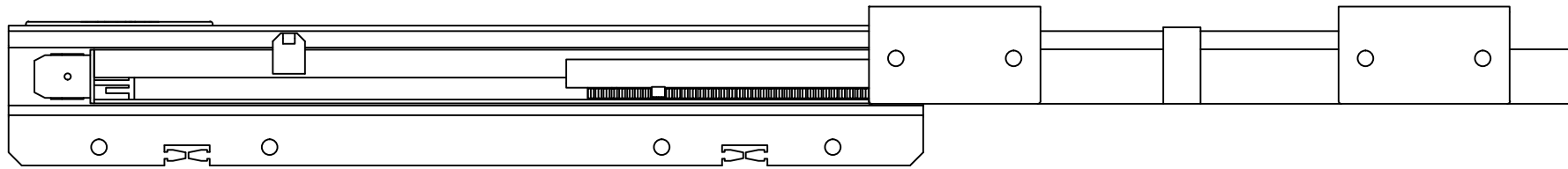
SEZ. A-A



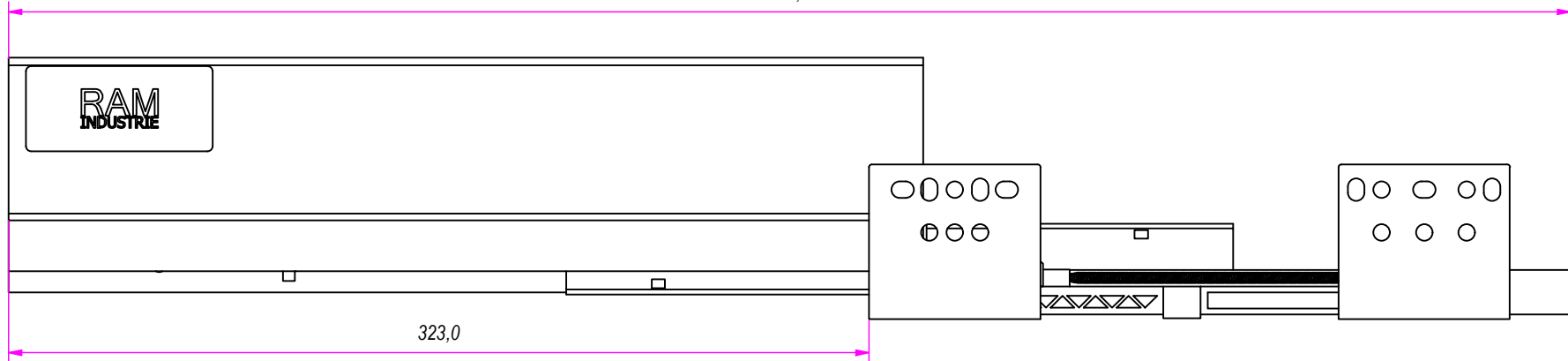
DESIGNED BY F.Dino	CHECKED AND APPROVED BY L. Paleari	GENERAL TOLLERANCE SS-ISO-2768-1M	DATE 11/07/2017	CODE Q34350
		PACKAGING Carton 6 sets/Packed R+L	UNIT mm	SHEET 1 of 3
		DESCRIPTION	MATERIAL Cold rolled steel 04C	
		DEVICE Soft self closing with oil piston	PAIR WEIGHT 2,787 Kg	PAIR WEIGHT WITH CARTON

Guide per cassetti; guide telescopiche		Coulisses à billes; coulisse télescopique		REVISION HISTORY	
Drawer slide; telescopic ball bearing slide		Guías para cajones; guía teleópica		REV	DESCRIPTION
Kugelführung; Teleskopschienen				DATE	
				1a	11/07/2017

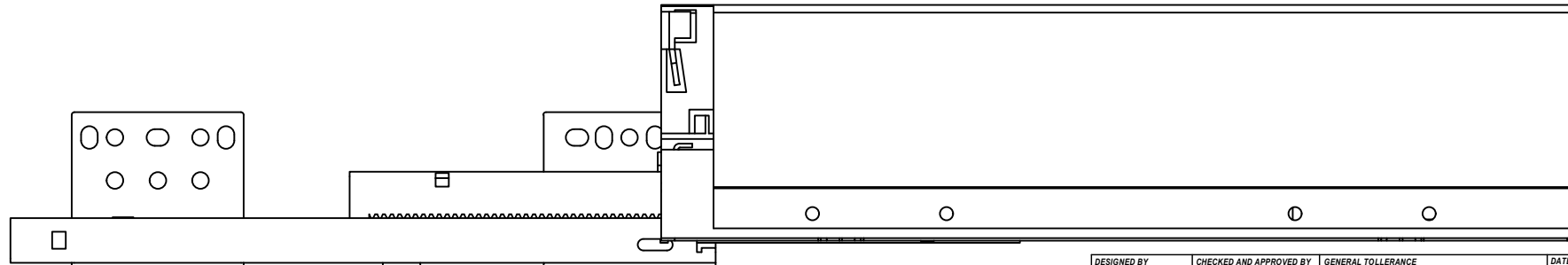
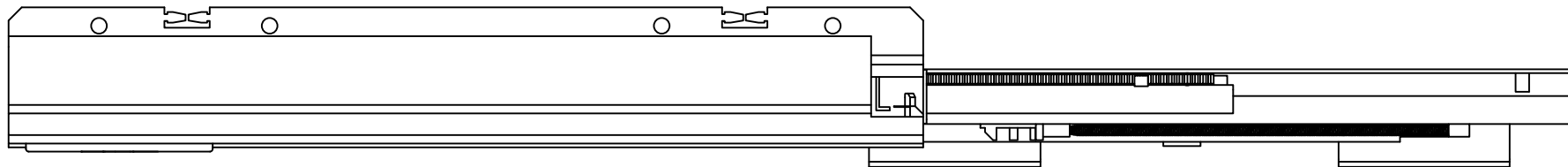
Property of RAM Industrie.
Without its written authorization the present drawing shall neither be used for construction anyway, communicated to third parties, nor reproduced.



586,0



323,0

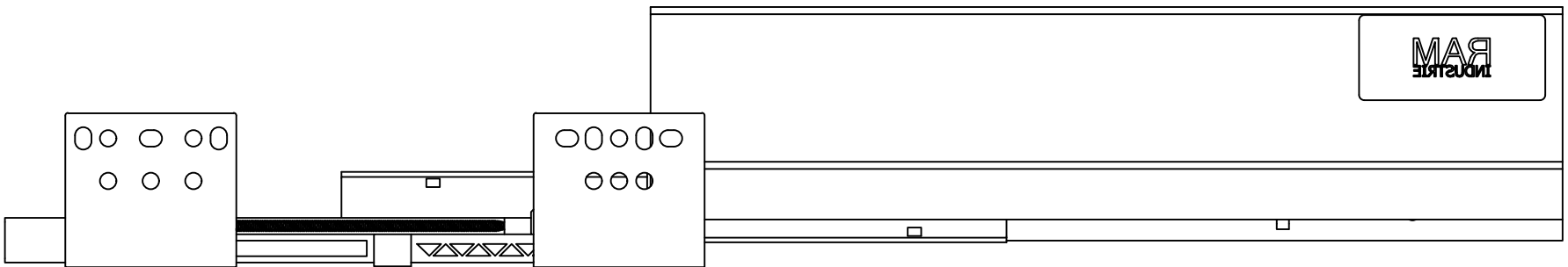
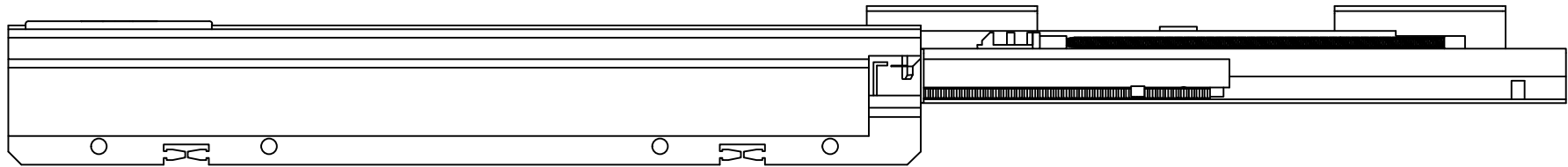
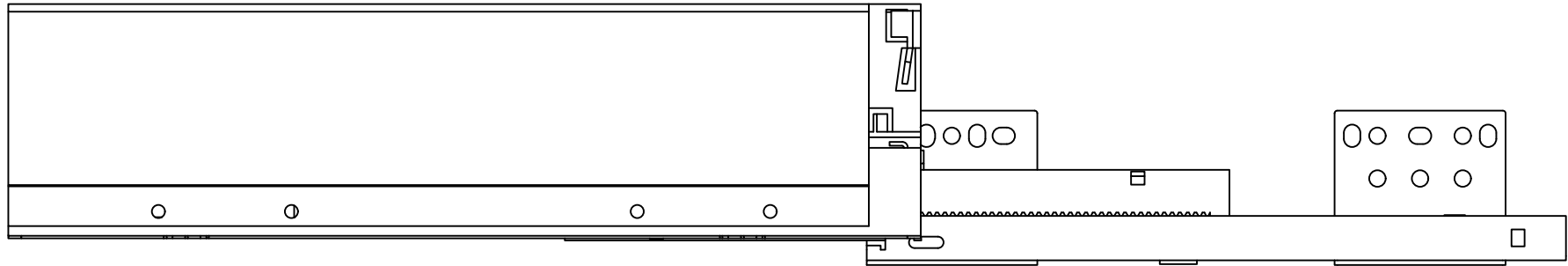
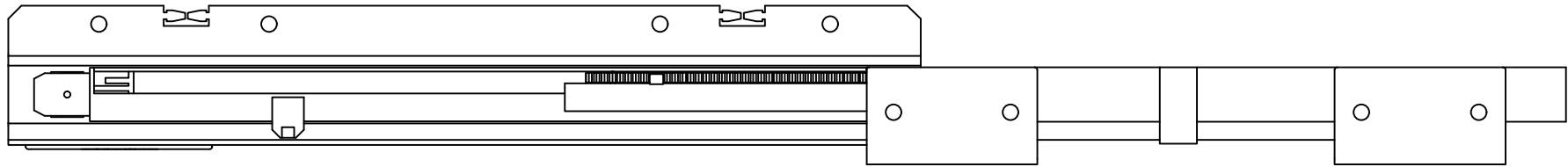



DESIGNED BY F.Dino	CHECKED AND APPROVED BY L. Paleari	GENERAL TOLLERANCE SS-ISO-2768-1M	DATE 11/07/2017	CODE Q34350
PACKAGING Carton 6 sets/Packed R+L			UNIT mm	SHEET 2 of 3
DESCRIPTION Soft self closing with oil piston			MATERIAL Cold rolled steel	04C
PAIR WEIGHT 2,787 Kg		PAIR WEIGHT WITH CARTON 3,011 Kg		

RAM
INDUSTRIE

		REVISION HISTORY	
	REVISION HISTORY	DESCRIPTION	DATE
Guide per cassetti; guide telescopiche	Coulisses à billes; coulisse télescopique		
Drawer slide; telescopic ball bearing slide	Guías para cajones; guía teleópica	REV	
Kugelführung; Teleskopschienen		1a	11/07/2017

Property of RAM Industrie.
Without its written authorization the present drawing shall neither be used for construction anyway, communicated to third parties, nor reproduced.



DESIGNED BY F.Dino	CHECKED AND APPROVED BY L. Paleari	GENERAL TOLLERANCE SS-ISO-2768-1M	DATE 11/07/2017	CODE Q34350
		PACKAGING Carton 6 sets/Packed R+L	UNIT mm	SHEET 3 of 3
		DESCRIPTION	MATERIAL Cold rolled steel	04C
DEVICE Soft self closing with oil piston		PAIR WEIGHT 2,787 Kg	PAIR WEIGHT WITH CARTON 3,011 Kg	

Property of RAM Industrie.
Without its written authorization the present drawing shall neither be used for construction anyway, communicated to third parties, nor reproduced.