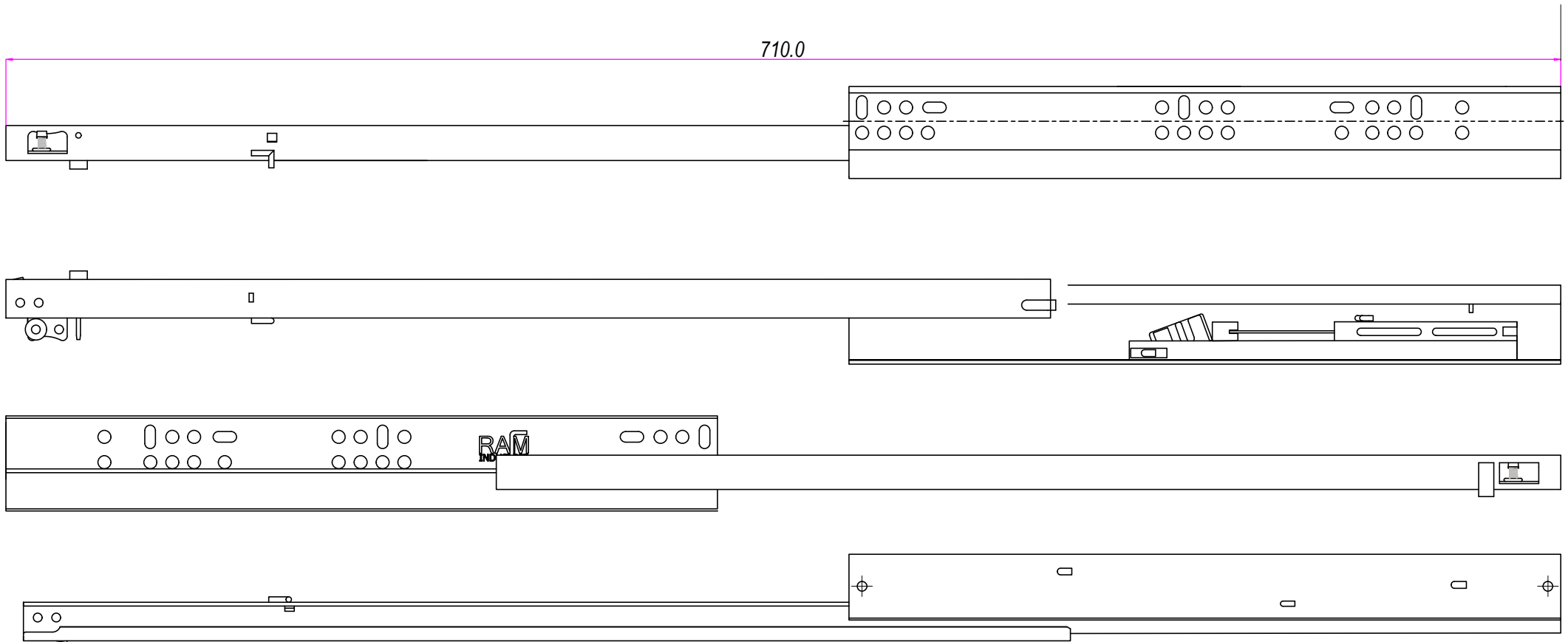



DESIGNED BY A. d'Alesio	CHECKED AND APPROVED BY T. Grassi	GENERAL TOLERANCE SS-ISO-2768-1M	DATE 22/03/2023	CODE Q40500
PACKAGING Carton 1 piece			UNIT mm	SHEET 1 of 2
DESCRIPTION RAM INDUSTRIE		MATERIAL Aluminium 6060		
DEVICE		PAIR WEIGHT WITH CARTON 1,16		

Property of RAM Industrie
Without its written authorization the present drawing shall neither be used for construction anyway, communicated to third parties, nor reproduced.



DESIGNED BY A. d'Alesio	CHECKED AND APPROVED BY T. Grassi	GENERAL TOLERANCE SS-ISO-2768-1M	DATE 22/03/2023	CODE Q40500
		PACKAGING Carton 1 piece	UNIT mm	SHEET 2 of 2
		DESCRIPTION	MATERIAL Aluminium 6060	
		DEVICE	PAIR WEIGHT WITH CARTON 1,16	

Property of RAM Industrie
Without its written authorization the present drawing shall neither be used for construction anyway, communicated to third parties, nor reproduced.