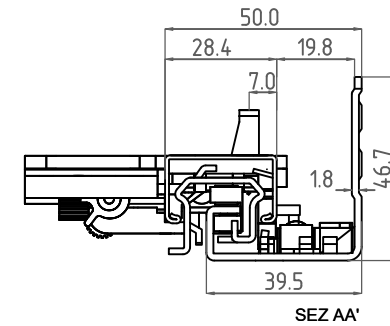
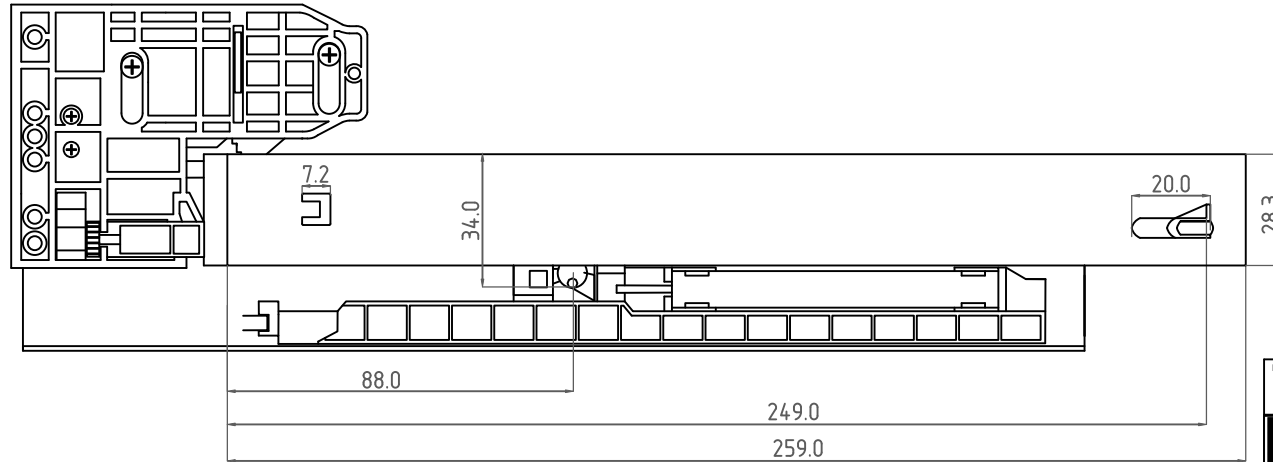
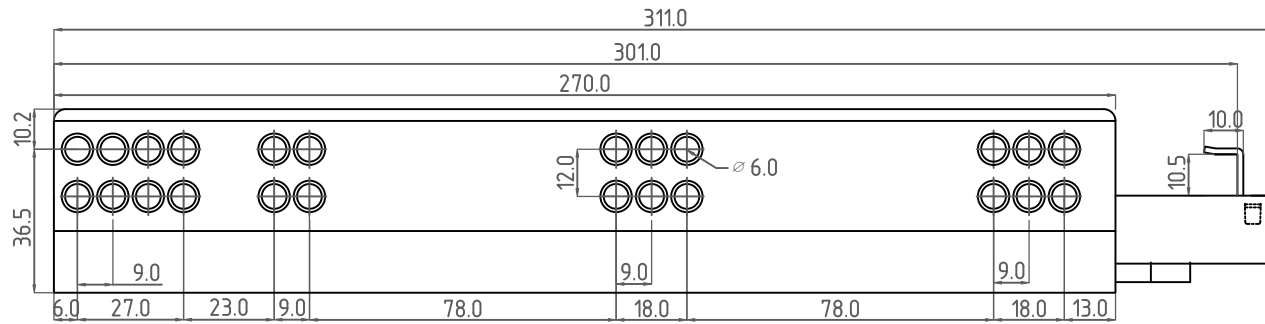
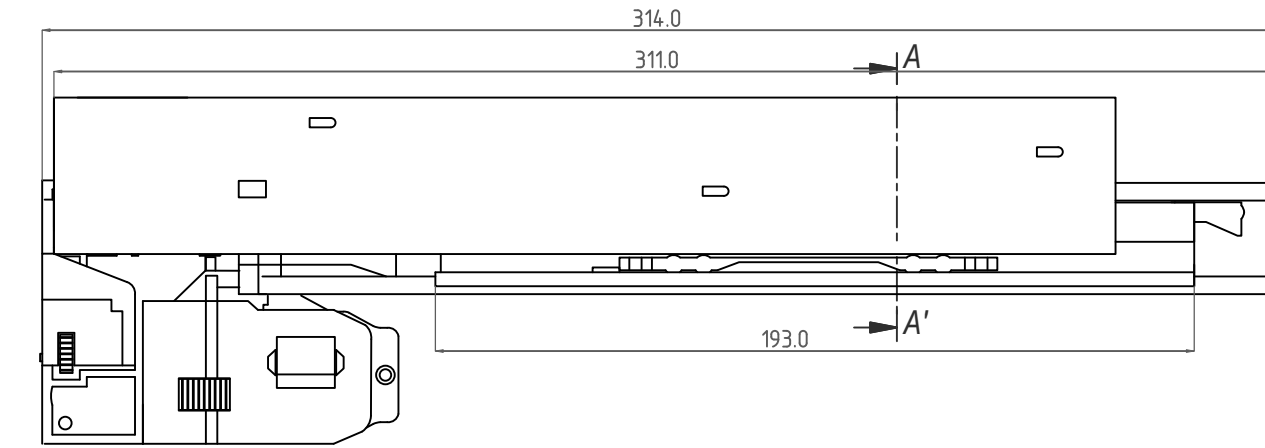


TOLERANCES FOLLOWING ISO 8013 IS INDICATED UNLESS OTHERWISE SPECIFIED  
 TOLLERANZE INDICATE SECONDO ISO 8013 UNLESS ALTRIMENTI SPECIFICATO

Normal dimensions (mm)	0.1	0.2	0.3	0.4	0.5	0.6	0.7	0.8	1.0	1.2	1.5	2.0	2.5	3.0	4.0	5.0	6.0	8.0	10.0	12.0	15.0	20.0	25.0	30.0	40.0	50.0			
> 0.1	± 0.02	± 0.03	± 0.04	± 0.05	± 0.06	± 0.07	± 0.08	± 0.09	± 0.10	± 0.12	± 0.15	± 0.20	± 0.25	± 0.30	± 0.35	± 0.40	± 0.45	± 0.50	± 0.60	± 0.70	± 0.80	± 1.00	± 1.20	± 1.50	± 2.00	± 2.50	± 3.00	± 4.00	± 5.00

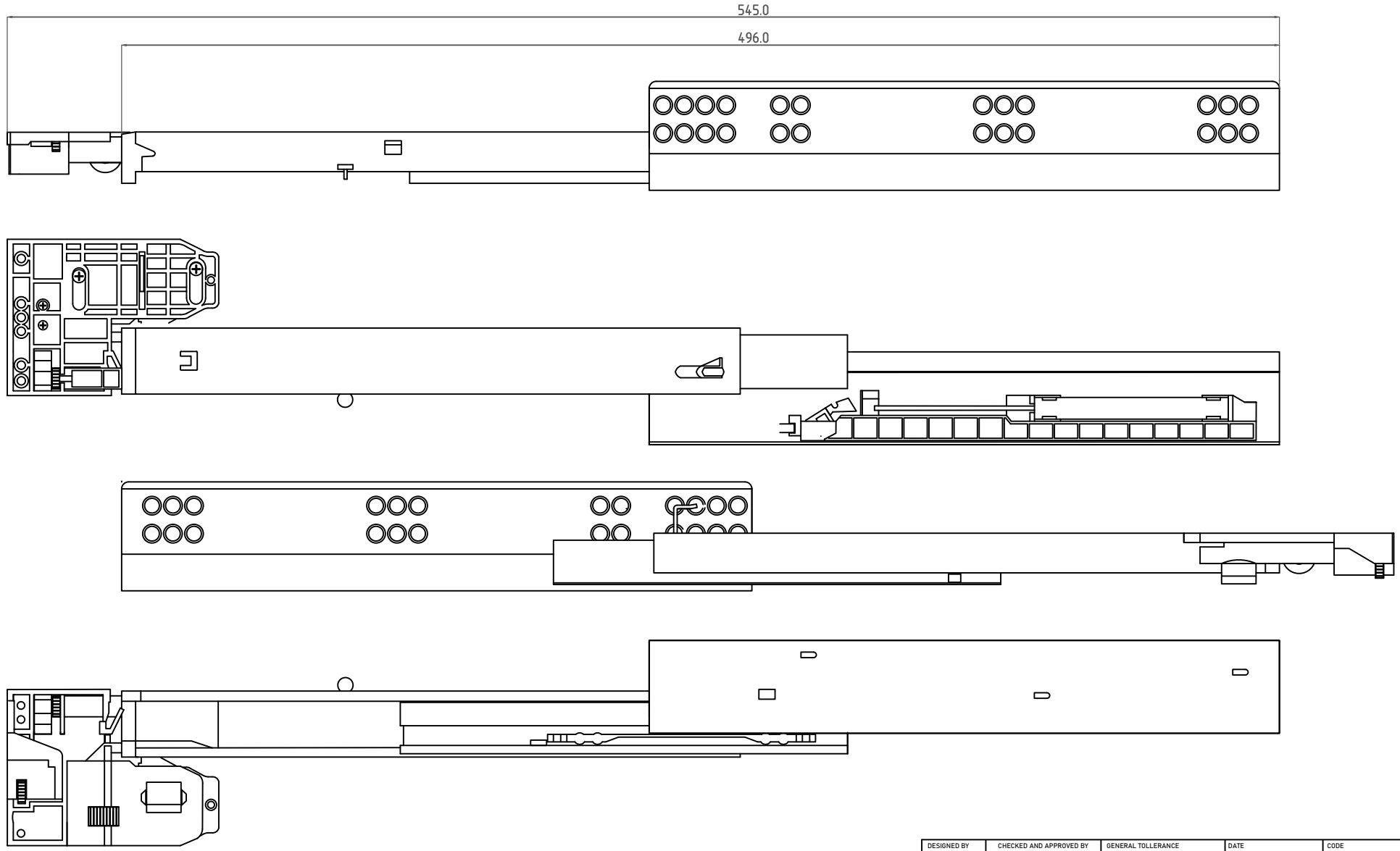


THIS DRAWING IS THE EXCLUSIVE PROPERTY OF RAM INDUSTRIE (THE COMPANY) WITHOUT ANY PRIOR WRITTEN AUTHORIZATION OF THE COMPANY. THIS DRAWING CANNOT BE USED FOR CONSTRUCTION, NEITHER TRANSFERRED TO ANY THIRD PARTY OR EVEN PARTIALLY REPRODUCED. THE COMPANY WILL LEGALLY DEFEND ITS OWN RIGHTS.

DESIGNED BY A. d'Alesio	CHECKED AND APPROVED BY T. Grassi	GENERAL TOLLERANCE SS-ISO-2768-1M	DATE 22/02/2024	CODE Q50300	
		DESCRIPTION	MATERIAL	UNIT mm	SHEET 1 of 2
		DEVICE	PAIR WEIGHT WITH CARTON	PACKAGING Carton 1 piece	
<small>Property of RAM Industrie Without its written authorization the present drawing shall neither be used for construction anyway, communicated to third parties, nor reproduced.</small>					

**TOLERANCES FOLLOWING ISO 8013 IS INDICATED UNLESS OTHERWISE SPECIFIED**  
**TOLERANCES INDICATIONS ISO 2768/MS**

Normal dimensions (mm)	0.1	0.2	0.3	0.4	0.5	0.6	0.8	1	1.2	1.5	2	3	4	5	6	8	10	12	15	20	30	40	50	63	80	100	125	160	200	250	315	400	500	630	800	1000
±0.02	±0.03	±0.04	±0.05	±0.06	±0.07	±0.08	±0.09	±0.10	±0.12	±0.15	±0.18	±0.20	±0.25	±0.30	±0.35	±0.40	±0.45	±0.50	±0.60	±0.70	±0.80	±1.00	±1.20	±1.50	±1.80	±2.00	±2.50	±3.00	±3.50	±4.00	±5.00	±6.00	±7.00	±8.00	±10.00	



THIS DRAWING IS THE EXCLUSIVE PROPERTY OF RAM INDUSTRIE (THE COMPANY)  
 WITHOUT ANY PRIOR WRITTEN AUTHORIZATION OF THE COMPANY  
 THIS DRAWING CANNOT BE USED FOR CONSTRUCTION, NEITHER TRANSFERRED  
 TO ANY THIRD PARTY OR EVEN PARTIALLY REPRODUCED.  
 THE COMPANY WILL LEGALLY DEFEND ITS OWN RIGHTS

DESIGNED BY A. d'Alesio	CHECKED AND APPROVED BY T. Grassi	GENERAL TOLLERANCE SS-ISO-2768-1M	DATE 22/02/2024	CODE Q50300	
<b>RAM INDUSTRIE</b>		DESCRIPTION	MATERIAL	UNIT mm	SHEET 2 of 2
		DEVICE	PAIR WEIGHT WITH CARTON	PACKAGING Carton 1 piece	
<small>Property of RAM Industrie          Without its written authorization the present drawing shall neither be used for construction anyway, communicated to third parties, nor reproduced.</small>					