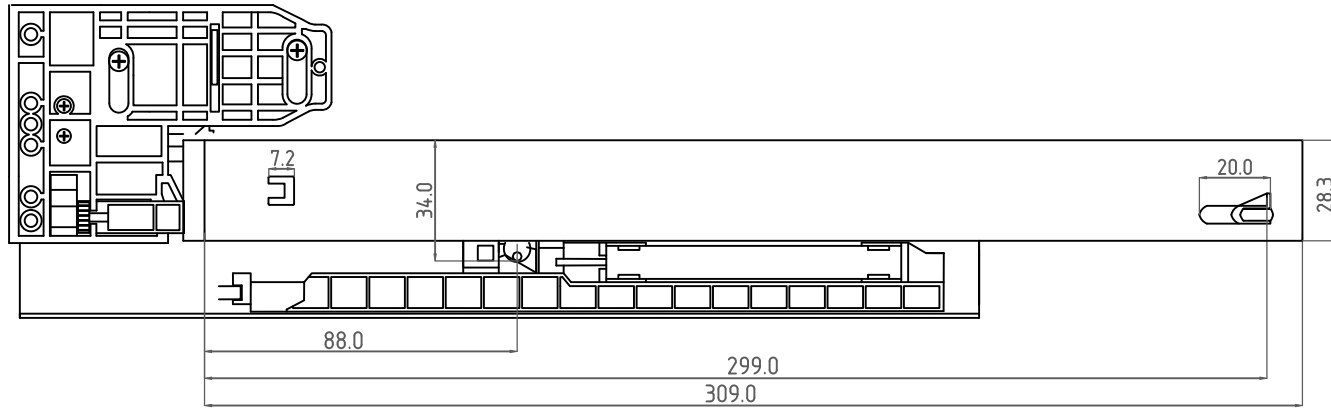
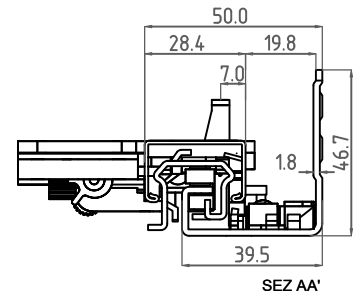
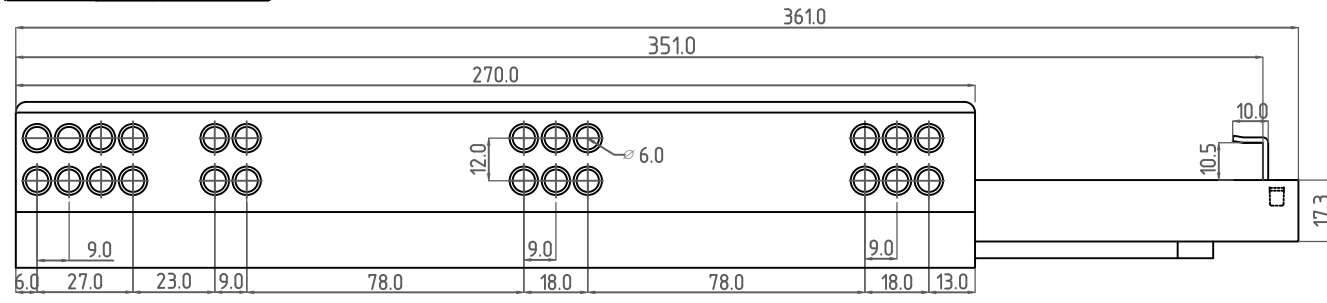
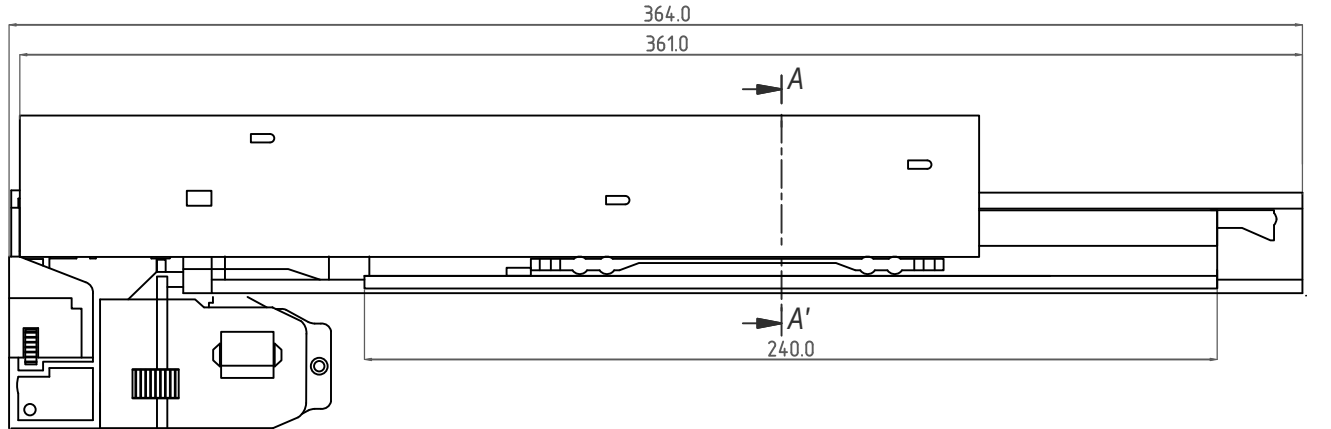


**TOLERANCES FOLLOWING ISO 8015**  
 INDICATED BY DIMENSION LINES  
 TOLERANCES IN MILLIMETERS  
 TOLERANCES IN MICROMETERS (ISO 2768/MS)

Normal dimension (mm)	± 0.1	± 0.05	± 0.03	± 0.02
0.5	± 0.1	± 0.05	± 0.03	± 0.02
0.6	± 0.1	± 0.05	± 0.03	± 0.02
0.7	± 0.1	± 0.05	± 0.03	± 0.02
0.8	± 0.1	± 0.05	± 0.03	± 0.02
0.9	± 0.1	± 0.05	± 0.03	± 0.02
1.0	± 0.1	± 0.05	± 0.03	± 0.02
1.2	± 0.1	± 0.05	± 0.03	± 0.02
1.5	± 0.1	± 0.05	± 0.03	± 0.02
2.0	± 0.1	± 0.05	± 0.03	± 0.02
2.5	± 0.1	± 0.05	± 0.03	± 0.02
3.0	± 0.1	± 0.05	± 0.03	± 0.02
4.0	± 0.1	± 0.05	± 0.03	± 0.02
5.0	± 0.1	± 0.05	± 0.03	± 0.02
6.0	± 0.1	± 0.05	± 0.03	± 0.02
8.0	± 0.1	± 0.05	± 0.03	± 0.02
10.0	± 0.1	± 0.05	± 0.03	± 0.02
12.0	± 0.1	± 0.05	± 0.03	± 0.02
15.0	± 0.1	± 0.05	± 0.03	± 0.02
20.0	± 0.1	± 0.05	± 0.03	± 0.02
25.0	± 0.1	± 0.05	± 0.03	± 0.02
30.0	± 0.1	± 0.05	± 0.03	± 0.02
40.0	± 0.1	± 0.05	± 0.03	± 0.02
50.0	± 0.1	± 0.05	± 0.03	± 0.02
60.0	± 0.1	± 0.05	± 0.03	± 0.02
80.0	± 0.1	± 0.05	± 0.03	± 0.02
100.0	± 0.1	± 0.05	± 0.03	± 0.02

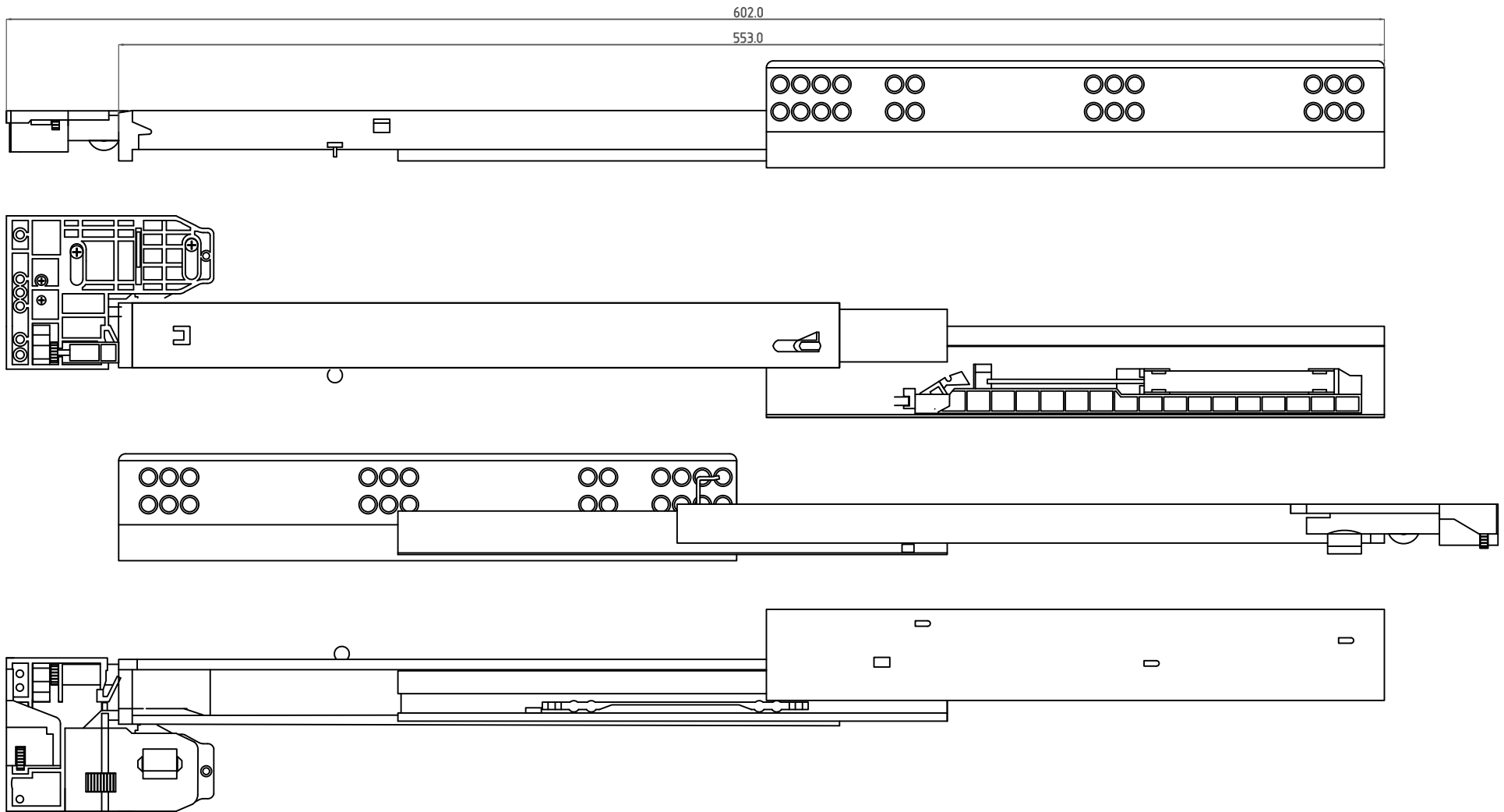


THIS DRAWING IS THE EXCLUSIVE PROPERTY OF RAM INDUSTRIE (THE COMPANY)  
 WITHOUT ANY PRIOR WRITTEN AUTHORIZATION OF THE COMPANY  
 THIS DRAWING CANNOT BE USED FOR CONSTRUCTION, NEITHER TRANSFERRED  
 TO ANY THIRD PARTY OR EVEN PARTIALLY REPRODUCED.  
 THE COMPANY WILL LEGALLY DEFEND ITS OWN RIGHTS

DESIGNED BY A. d'Alesio	CHECKED AND APPROVED BY T. Grassi	GENERAL TOLLERANCE SS-ISO-2768-1M	DATE 22/02/2024	CODE Q50350
		DESCRIPTION	MATERIAL	UNIT mm
		DEVICE	PACKAGING	SHEET 1 of 2
			PAIR WEIGHT WITH CARTON	Carton 1 piece
<small>Property of RAM Industrie Without its written authorization the present drawing shall neither be used for construction anyway, communicated to third parties, nor reproduced.</small>				

TOLERANCES FOLLOWING ISO 2001'S INDICATIONS UNLESS OTHERWISE SPECIFIED  
TOLERANZE SECONDO LE INDICAZIONI ISO 2001 SE NON ALTRIMENTI SPECIFICATE

Normal dimensions (mm)	0.1	0.2	0.3	0.5	1	2	3	4	5	6	10	15	20	30	40	50	60	80	100	150	200	300	400	500	600	800	1000
	+0.02	+0.03	+0.04	+0.05	+0.06	+0.07	+0.08	+0.09	+0.10	+0.12	+0.15	+0.18	+0.20	+0.25	+0.30	+0.35	+0.40	+0.45	+0.50	+0.60	+0.70	+0.80	+1.00	+1.20	+1.50	+2.00	+2.50



THIS DRAWING IS THE EXCLUSIVE PROPERTY OF RAM INDUSTRIE (THE COMPANY)  
WITHOUT ANY PRIOR WRITTEN AUTHORIZATION OF THE COMPANY  
THIS DRAWING CANNOT BE USED FOR CONSTRUCTION, NEITHER TRANSFERRED  
TO ANY THIRD PARTY OR EVEN PARTIALLY REPRODUCED.  
THE COMPANY WILL LEGALLY DEFEND ITS OWN RIGHTS

DESIGNED BY A. d'Alesio	CHECKED AND APPROVED BY T. Grassi	GENERAL TOLLERANCE SS-ISO-2768-1M	DATE 22/02/2024	CODE Q50350	
		DESCRIPTION	MATERIAL	UNIT mm	SHEET 2 of 2
		DEVICE	PAIR WEIGHT WITH CARTON	PACKAGING Carton 1 piece	
<small>Property of RAM Industrie Without its written authorization the present drawing shall neither be used for construction anyway, communicated to third parties, nor reproduced.</small>					