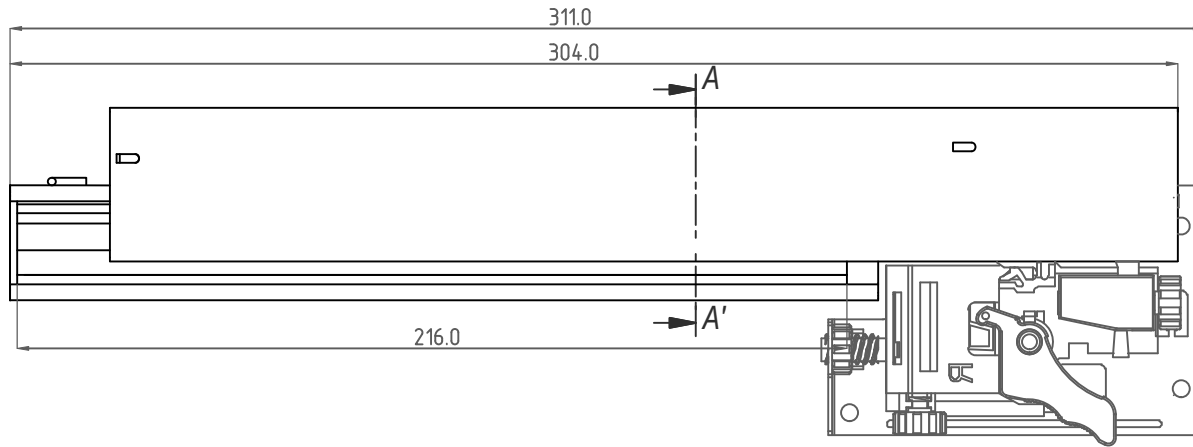
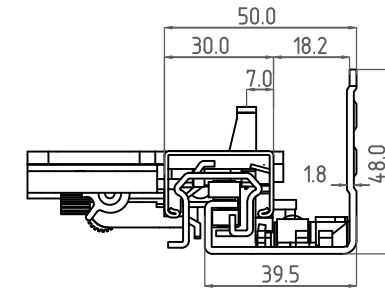
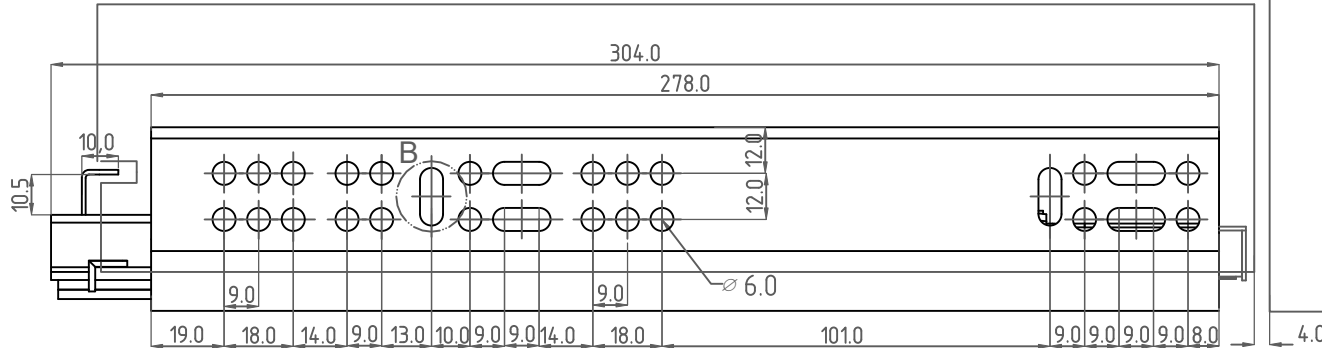
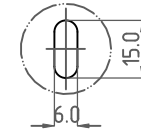


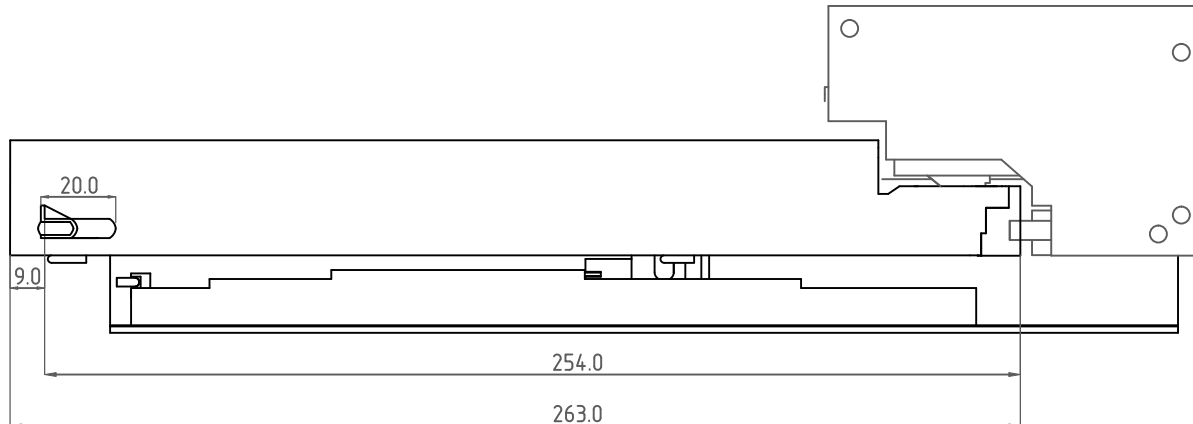
TOLERANZE PUNTO PER PUNTO	
Dimensione	Tolleranza
0 - 10	± 0,10
10 - 30	± 0,15
30 - 50	± 0,20
50 - 100	± 0,30
100 - 150	± 0,40
150 - 200	± 0,50
200 - 300	± 0,60
300 - 500	± 0,80
500 - 1000	± 1,00
1000 - 1500	± 1,20
1500 - 2000	± 1,50
2000 - 3000	± 2,00
3000 - 5000	± 2,50
5000 - 10000	± 3,00



B (1:1)



SEZ AA'



THIS DRAWING IS THE EXCLUSIVE PROPERTY OF RAM INDUSTRIE (THE COMPANY) WITHOUT ANY PRIOR WRITTEN AUTHORIZATION OF THE COMPANY. IT IS NOT TO BE REPRODUCED, COPIED, EITHER IN WHOLE OR IN PART, OR TRANSMITTED TO ANY THIRD PARTY OR EVEN PARTIALLY REPRODUCED. THE COMPANY WILL LEGALLY DEFEND ITS OWN RIGHTS.

DESIGNED BY A. d'Alesio	CHECKED AND APPROVED BY T. Grassi	GENERAL TOLLERANCE SS-ISO-2768-1M	DATE 13/02/2024	CODE Q53300
RAM INDUSTRIE		DESCRIPTION	MATERIAL	UNIT mm
		DEVICE	PAIR WEIGHT WITH CARTON	SHEET 1 of 2
			PACKAGING Carton 1 piece	

Property of RAM Industrie
Without its written authorization the present drawing shall neither be used for construction anyway, communicated to third parties, nor reproduced.

TOLLERANCE (TOLERANCE) CLASS	
±0.1	±0.1
±0.2	±0.2
±0.3	±0.3
±0.4	±0.4
±0.5	±0.5
±0.6	±0.6
±0.7	±0.7
±0.8	±0.8
±0.9	±0.9
±1.0	±1.0
±1.2	±1.2
±1.5	±1.5
±2.0	±2.0
±2.5	±2.5
±3.0	±3.0
±4.0	±4.0
±5.0	±5.0
±6.0	±6.0
±8.0	±8.0
±10.0	±10.0
±12.0	±12.0
±15.0	±15.0
±20.0	±20.0
±25.0	±25.0
±30.0	±30.0
±40.0	±40.0
±50.0	±50.0
±60.0	±60.0
±80.0	±80.0
±100.0	±100.0



THIS DRAWING IS THE EXCLUSIVE PROPERTY OF RAM INDUSTRIE (THE COMPANY).
 WITHOUT ANY PRIOR WRITTEN AUTHORIZATION OF THE COMPANY,
 THIS DRAWING IS NOT TO BE REPRODUCED, COPIED, TRANSMITTED,
 OR IN ANY MANNER DISCLOSED TO ANY THIRD PARTY OR EVEN PARTIALLY REPRODUCED.
 THE COMPANY WILL LEGALLY DEFEND ITS OWN RIGHTS.

DESIGNED BY A. d'Alesio	CHECKED AND APPROVED BY T. Grassi	GENERAL TOLLERANCE SS-ISO-2768-1M	DATE 13/02/2024	CODE Q53300	
RAM INDUSTRIE		DESCRIPTION	MATERIAL	UNIT mm	SHEET 2 of 2
		DEVICE	PAIR WEIGHT WITH CARTON	PACKAGING Carton 1 piece	
<small>Property of RAM Industrie Without its written authorization the present drawing shall neither be used for construction anyway, communicated to third parties, nor reproduced.</small>					