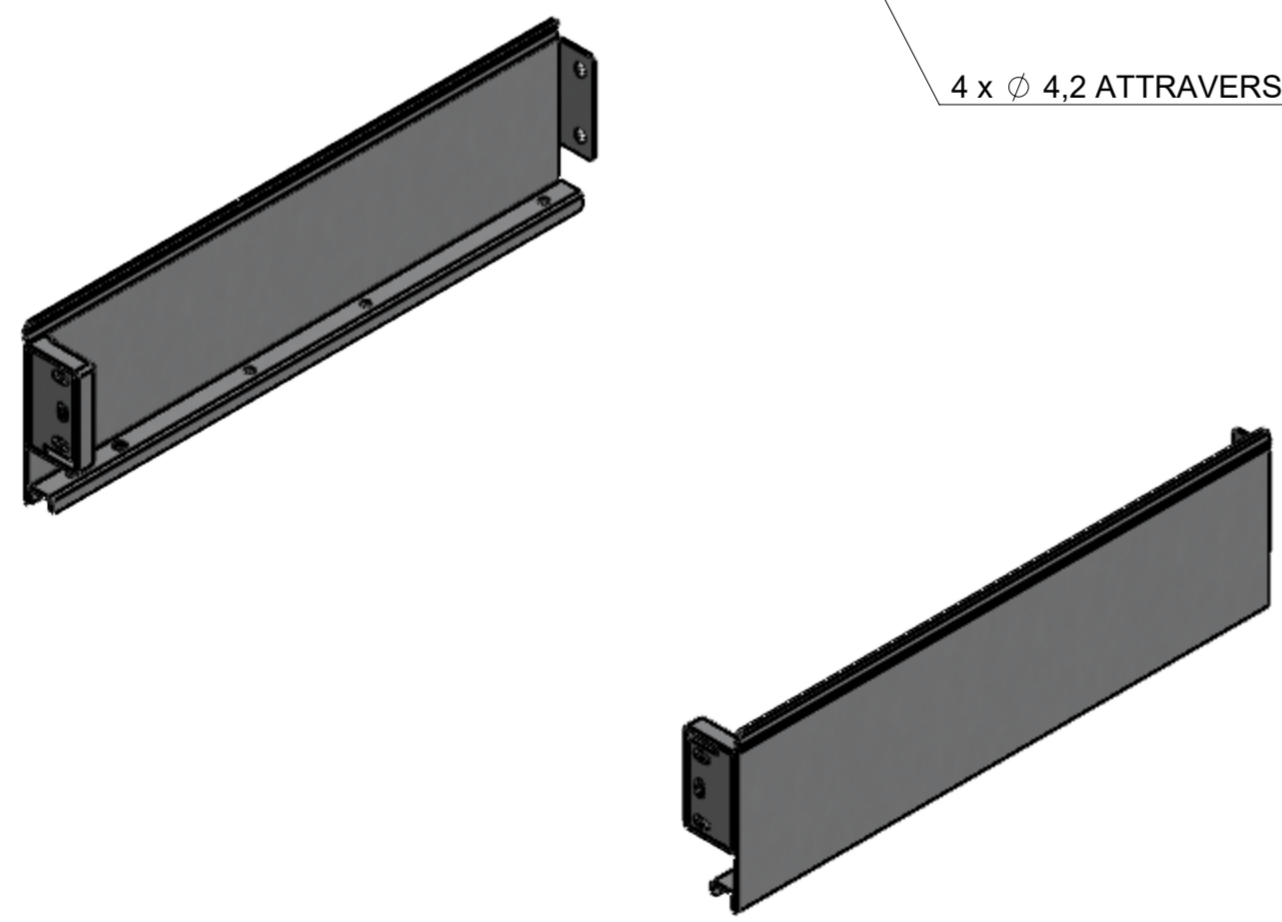
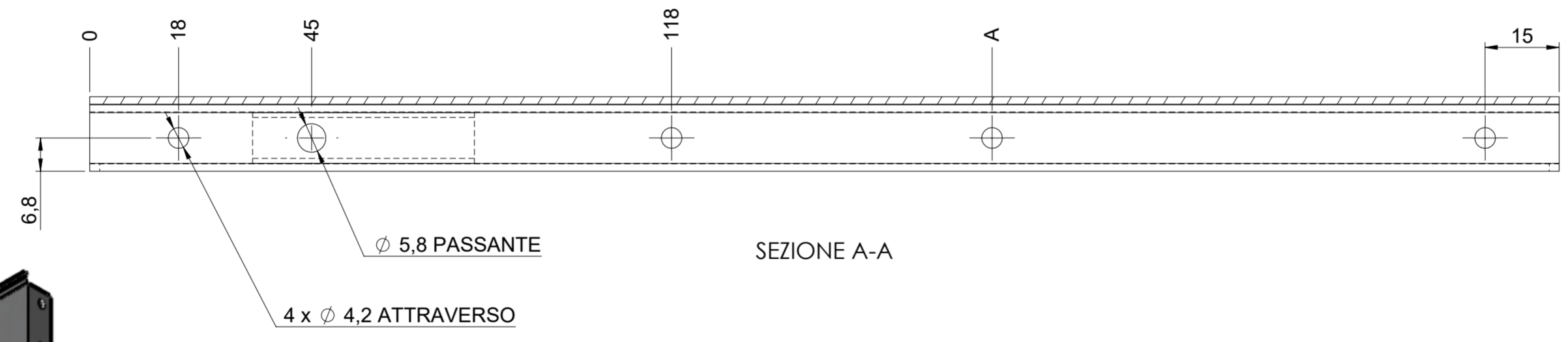
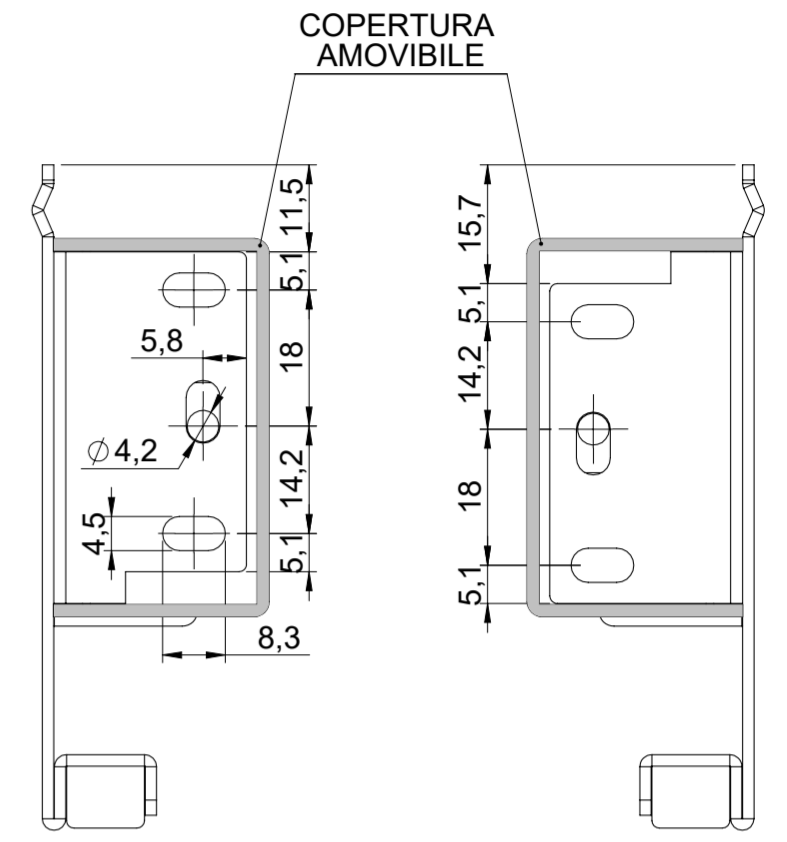
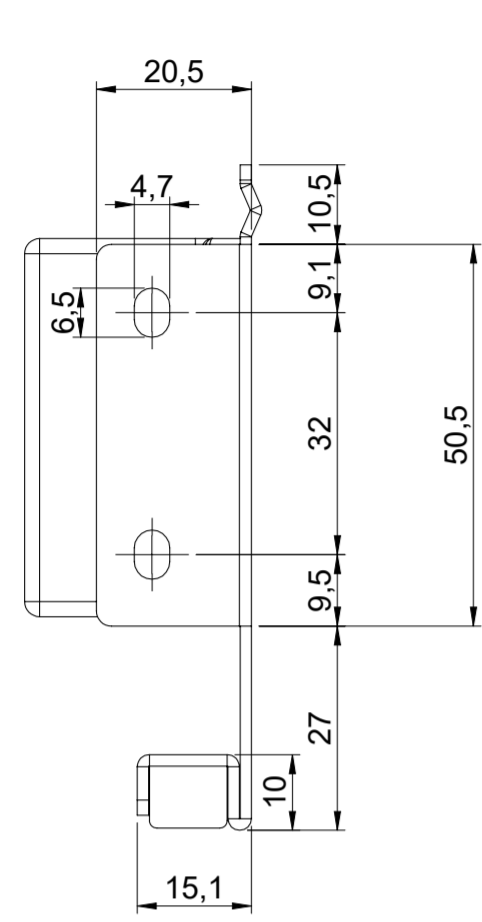


TOLERANCES FOLLOWING ISO 8015
INDICAZIONE TOLLERANZE INDIVIDUALI
TOLERANCE INDICATIONS (ISO 22868)

Nominal dimension (mm)	0-30	30-120	120-400	400-1000	1000-2000	2000-6000
±0,2	±0,3	±0,5	±0,8	±1,2	±2	±3



CODICE	L (mm)	A (mm)	PESO (Kg)
Q60-300	300	183	0,7
Q60-350	350	233	0,85
Q60-400	400	283	0,95
Q60-450	450	333	1,05
Q60-500	500	383	1,15

MACHINE	Material	Des.	
GROUP	Weight (Kg) 1.00	Cad Studio RF Date (dd/mm/yyyy) 25/03/2024	
DESCRIPTION	Surface finish NERO OPACO	Scale 1:1	DWG. NO.
SPONDA CASSETTO	Thickness	Chk	Q60

Q.ty:

THIS DRAWING IS THE EXCLUSIVE PROPERTY OF RAM INDUSTRIE (THE COMPANY).
WITHOUT ANY PRIOR WRITTEN AUTHORIZATION OF THE COMPANY,
THIS DRAWING CANNOT BE USED FOR CONSTRUCTION, NEITHER TRANSFERRED
OR REPRODUCED IN ANY MANNER.
THE COMPANY WILL LEGALLY DEFEND ITS OWN RIGHTS.

Rev. **0**