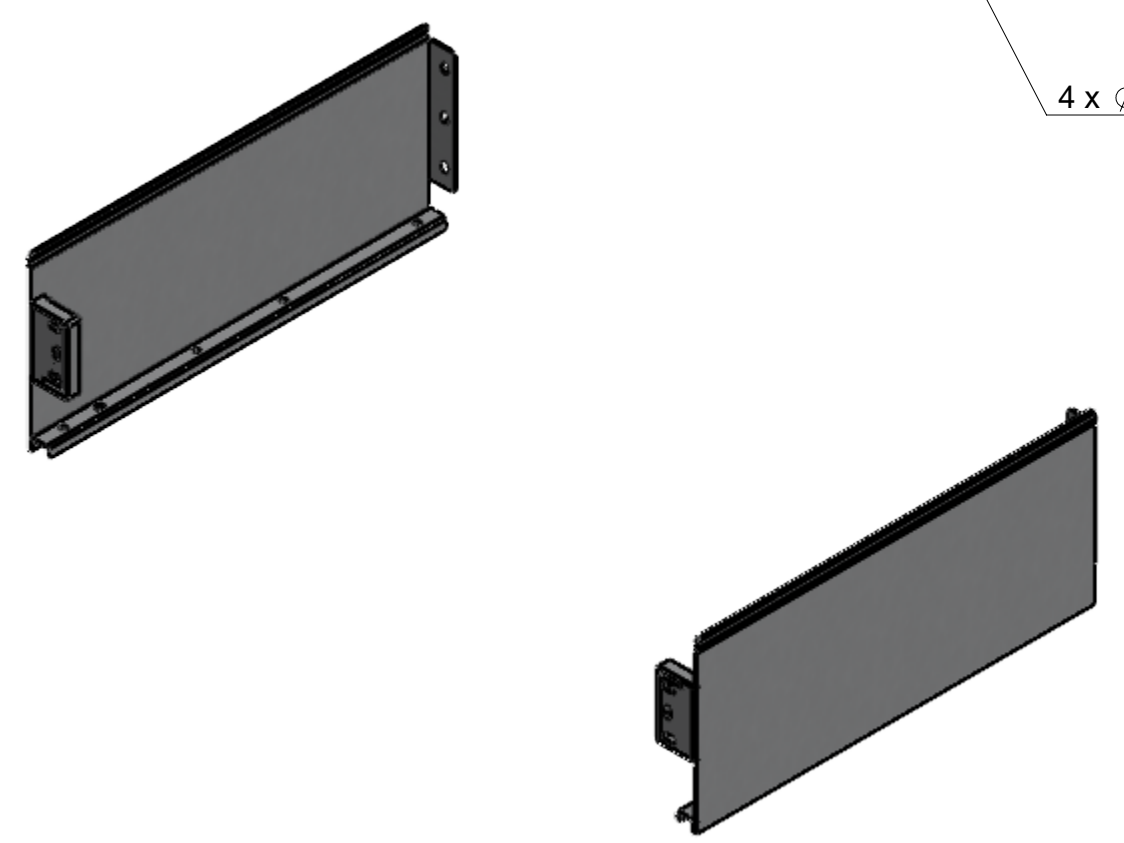
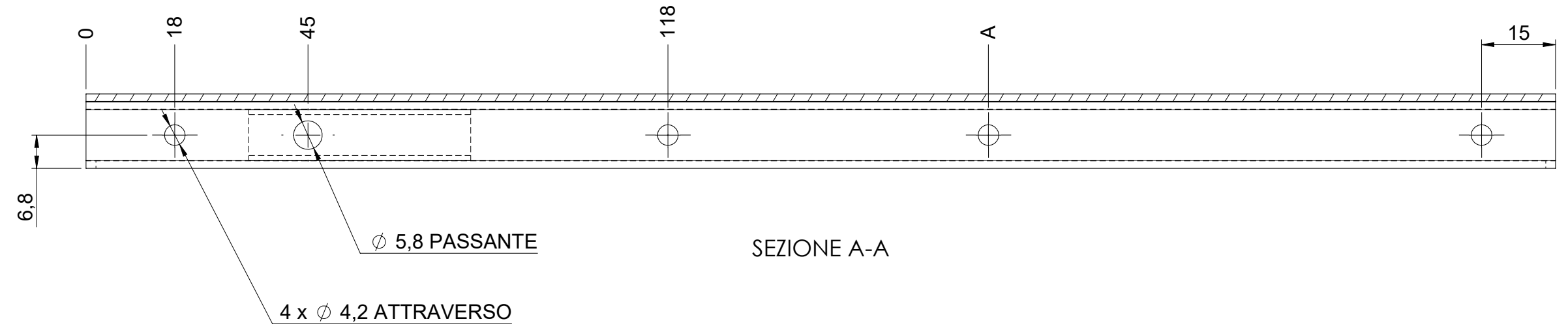
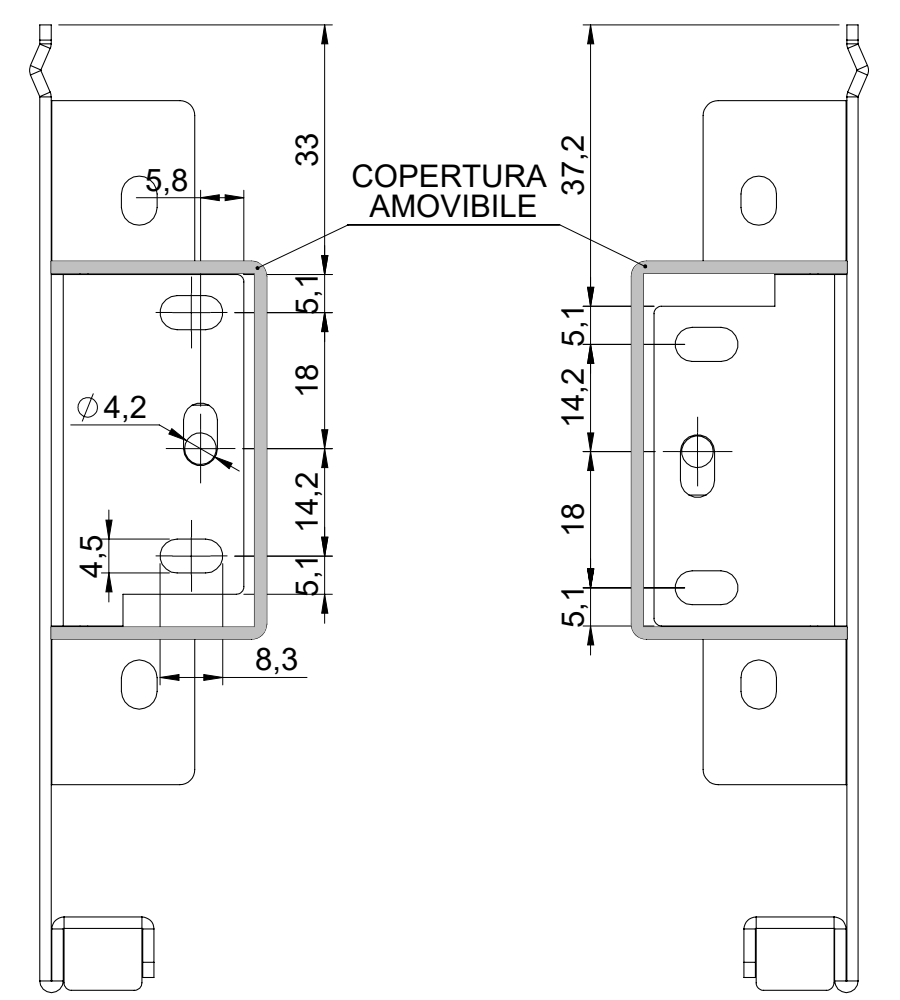
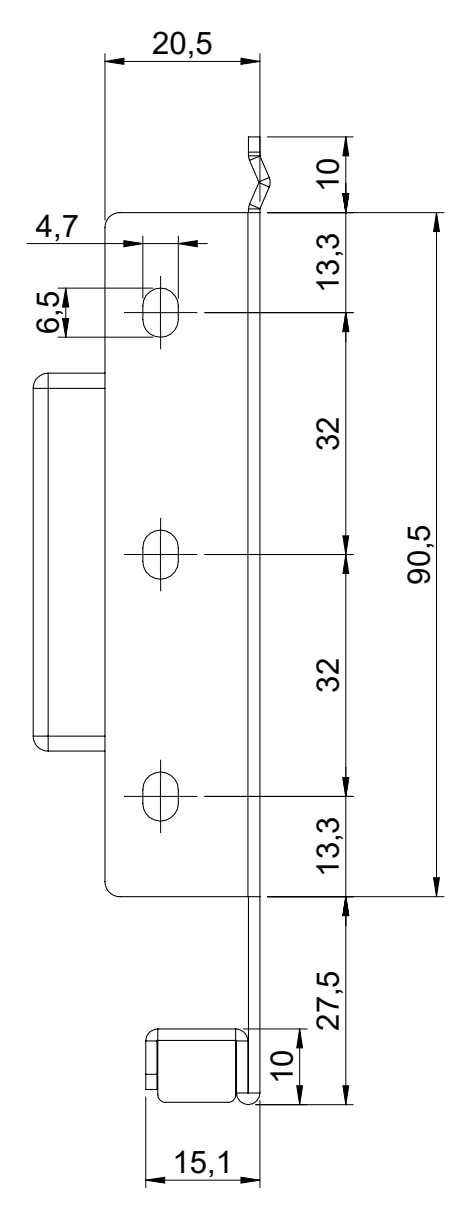


TOLERANCES FOLLOWING ISO 8015  
INDICAZIONE TOLLERANZE INDICAZIONE ISO 7246 (mm)

Nominal dimension (mm)	0-3	3-6	6-30	30-120	120-400	400-1000	1000-2000	2000-4000
	±0,2	±0,3	±0,5	±0,8	±1,2	±2	±3	±4



Q.ty: .....

CODICE	L (mm)	A (mm)	PESO (Kg)
Q61-300	300	183	0,95
Q61-350	350	233	1,1
Q61-400	400	283	1,25
Q61-450	450	333	1,45
Q61-500	500	383	1,55

MACHINE	Material	Des.	<b>RAM</b> INDUSTRIE
GROUP	Weight (Kg) 1.31	Cad Studio RF	
DESCRIPTION	Surface finish NERO OPACO	Date (dd/mm/yyyy) 08/04/2024	
SPONDE CASSETTO	Thickness	Scale 1:1	
		DWG. NO.	Rev.
		<b>Q61</b>	<b>0</b>

THIS DRAWING IS THE EXCLUSIVE PROPERTY OF RAM INDUSTRIE (THE COMPANY).  
 WITHOUT ANY PRIOR WRITTEN AUTHORIZATION OF THE COMPANY,  
 THIS DRAWING CANNOT BE USED FOR CONSTRUCTION, NEITHER TRANSFERRED  
 TO A THIRD PARTY.  
 THE COMPANY WILL LEGALLY DEFEND ITS OWN RIGHTS.