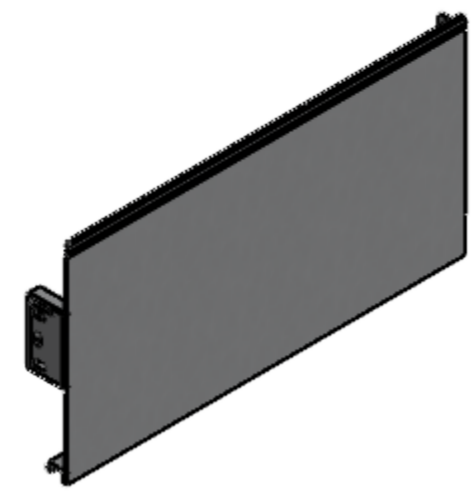
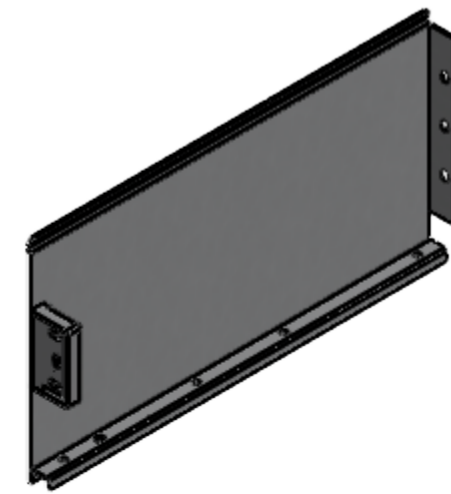
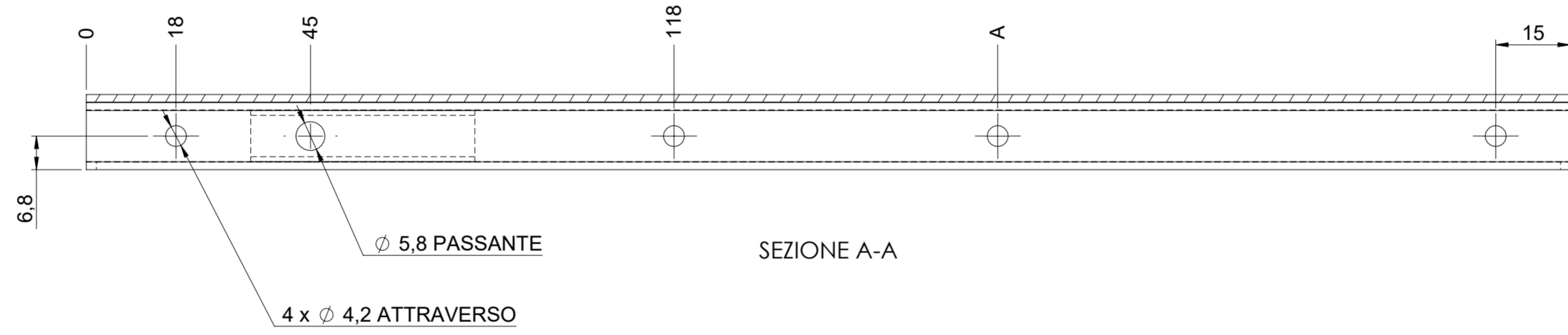
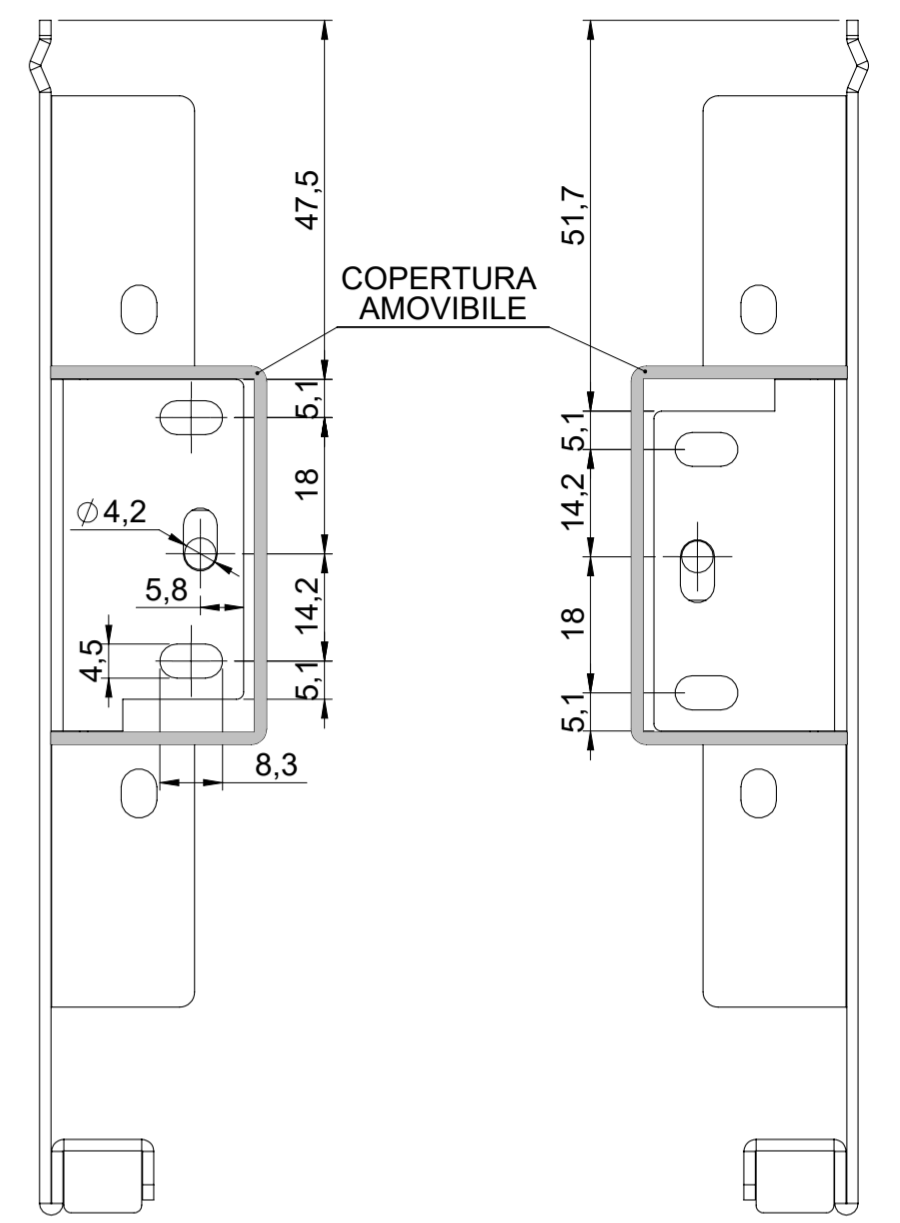
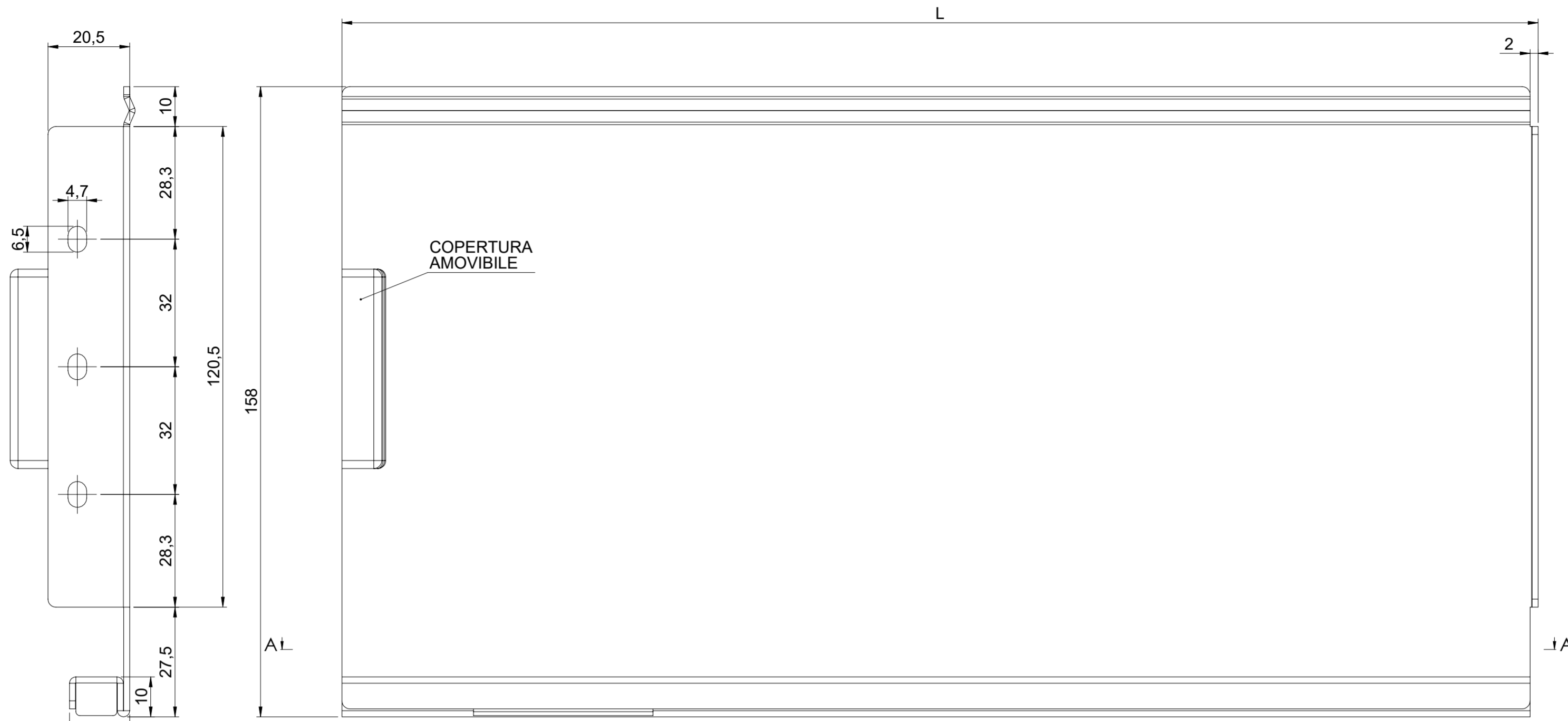


TOLERANCES FOLLOWING ISO 8015
INDICATED BY DIMENSIONAL LINES
TOLERANCE INDICATIONS (ISO 2768 mSf)

Nominal dimension (mm)	±0,2	±0,3	±0,5	±0,8	±1,2	±2	±3	±4
0,5								
0,6								
0,8								
1								
1,2								
1,5								
2								
3								
4								
5								
6								
8								
10								
12								
15								
20								
30								
40								
50								
60								
80								
100								
120								
150								
200								
300								
400								
500								
600								



Q.ty:

CODICE	L (mm)	A (mm)	PESO (Kg)
Q62-300	300	183	1,1
Q62-350	350	233	1,3
Q62-400	400	283	1,5
Q62-450	450	333	1,7
Q62-500	500	383	1,8

MACHINE	Material	Des.	RAM INDUSTRIE
GROUP	Weight (Kg) 1.54	Cad Studio RF	
DESCRIPTION	Surface finish NERO OPACO	Date (dd/mm/yyyy) 08/04/2024	
SPONDE CASSETTO	Thickness	Scale 1:1	
		DWG. NO. Q62	Rev. 0

THIS DRAWING IS THE EXCLUSIVE PROPERTY OF RAM INDUSTRIE (THE COMPANY).
 WITHOUT ANY PRIOR WRITTEN AUTHORIZATION OF THE COMPANY,
 THIS DRAWING CANNOT BE USED FOR CONSTRUCTION, NEITHER TRANSFERRED
 TO ANY OTHER PARTY.
 THE COMPANY WILL LEGALLY DEFEND ITS OWN RIGHTS.