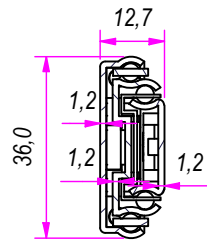
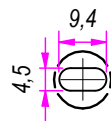


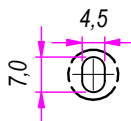
SEZ. A-A



B (1:1.5)



C (1:1.5)

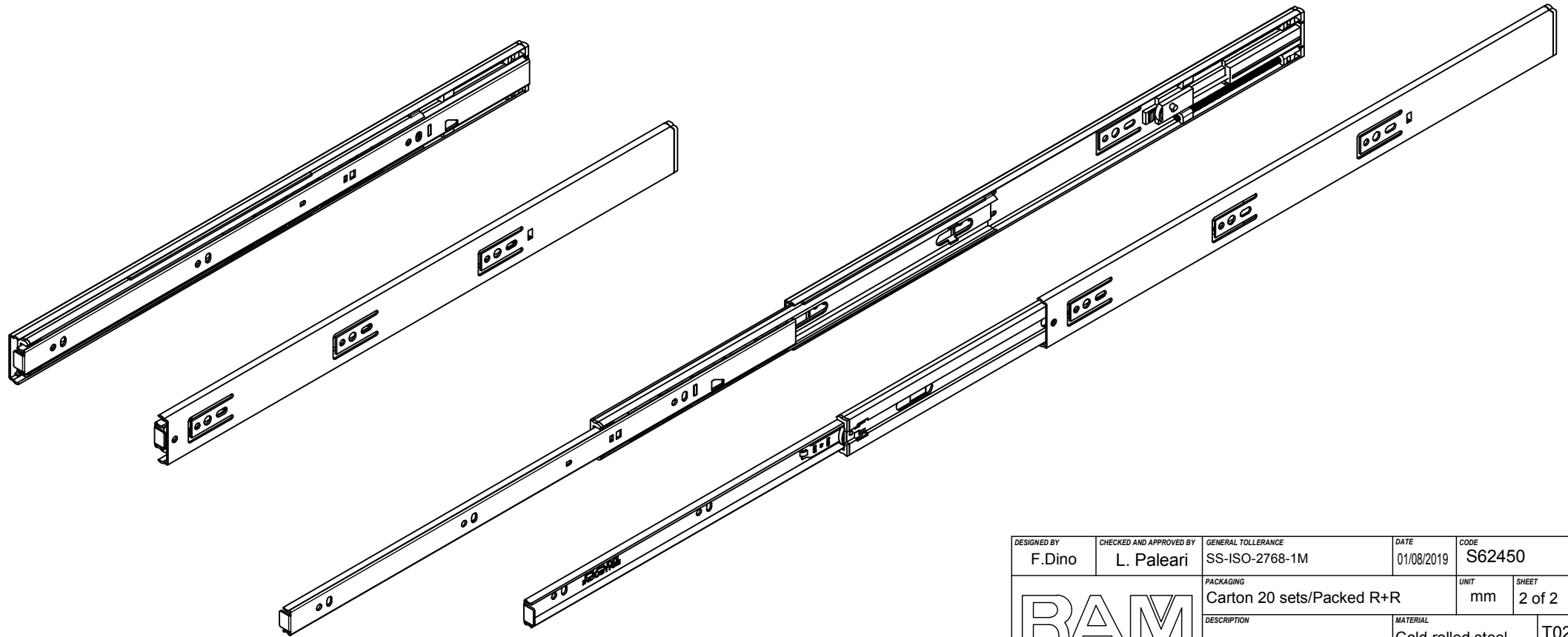
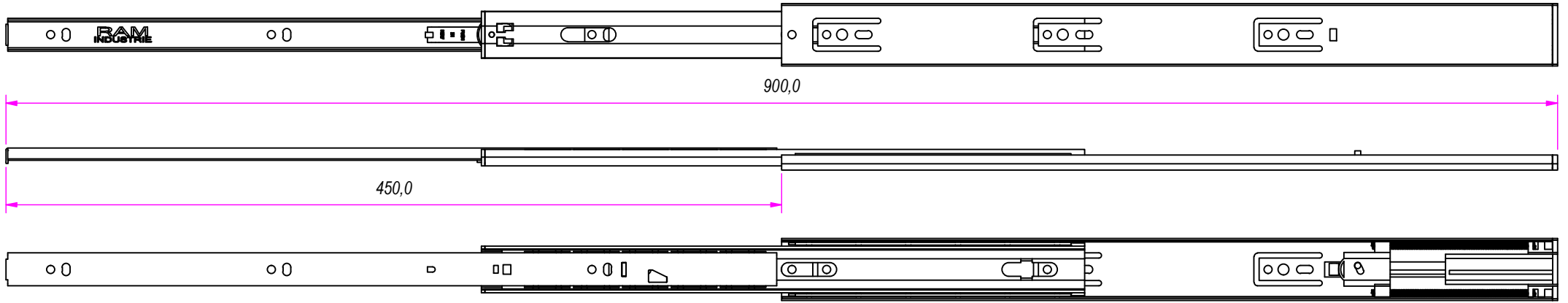


DESIGNED BY F. Dino	CHECKED AND APPROVED BY L. Paleari	GENERAL TOLERANCE SS-ISO-2768-1M	DATE 01/08/2019	CODE S62450
		PACKAGING Carton 20 sets/Packed R+R	UNIT mm	SHEET 1 of 2
		DESCRIPTION Soft self closing	MATERIAL Cold rolled steel	T02

		REVISION HISTORY	
		REV	DESCRIPTION
Guide per cassetti; guide telescopiche	Coulisses à billes; coulisse télescopique		
Drawer slide; telescopic ball bearing slide	Guías para cajones; guía teleópica	1a	
Kugelführung; Teleskopschienen			

DATE
01/08/2019

Property of RAM Industrie.
Without its written authorization the present drawing shall neither be used for construction anyway, communicated to third parties, nor reproduced.



DESIGNED BY F. Dino	CHECKED AND APPROVED BY L. Paleari	GENERAL TOLERANCE SS-ISO-2768-1M	DATE 01/08/2019	CODE S62450
PACKAGING Carton 20 sets/Packed R+R		UNIT mm	SHEET 2 of 2	
DESCRIPTION Soft self closing			MATERIAL Cold rolled steel	T02

REVISION HISTORY		REV	DESCRIPTION	DATE
Guide per cassetti; guide telescopiche	Coulisses à billes; coulisse télescopique	1a		01/08/2019
Drawer slide; telescopic ball bearing slide	Guías para cajones; guía teleópica			
Kugelführung; Teleskopschienen				

Property of RAM Industrie.
Without its written authorization the present drawing shall neither be used for construction anyway, communicated to third parties, nor reproduced.