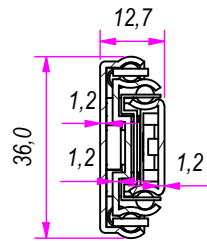
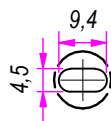


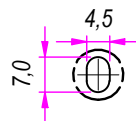
SEZ. A-A



B (1:1.5)



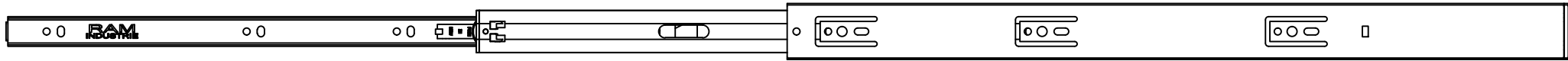
C (1:1.5)



Guide per cassetti; guide telescopiche	Coulisses à billes; coulisse télescopique	
Drawer slide; telescopic ball bearing slide	Guías para cajones; guía teleópica	REV
Kugelführung; Teleskopschienen		1a

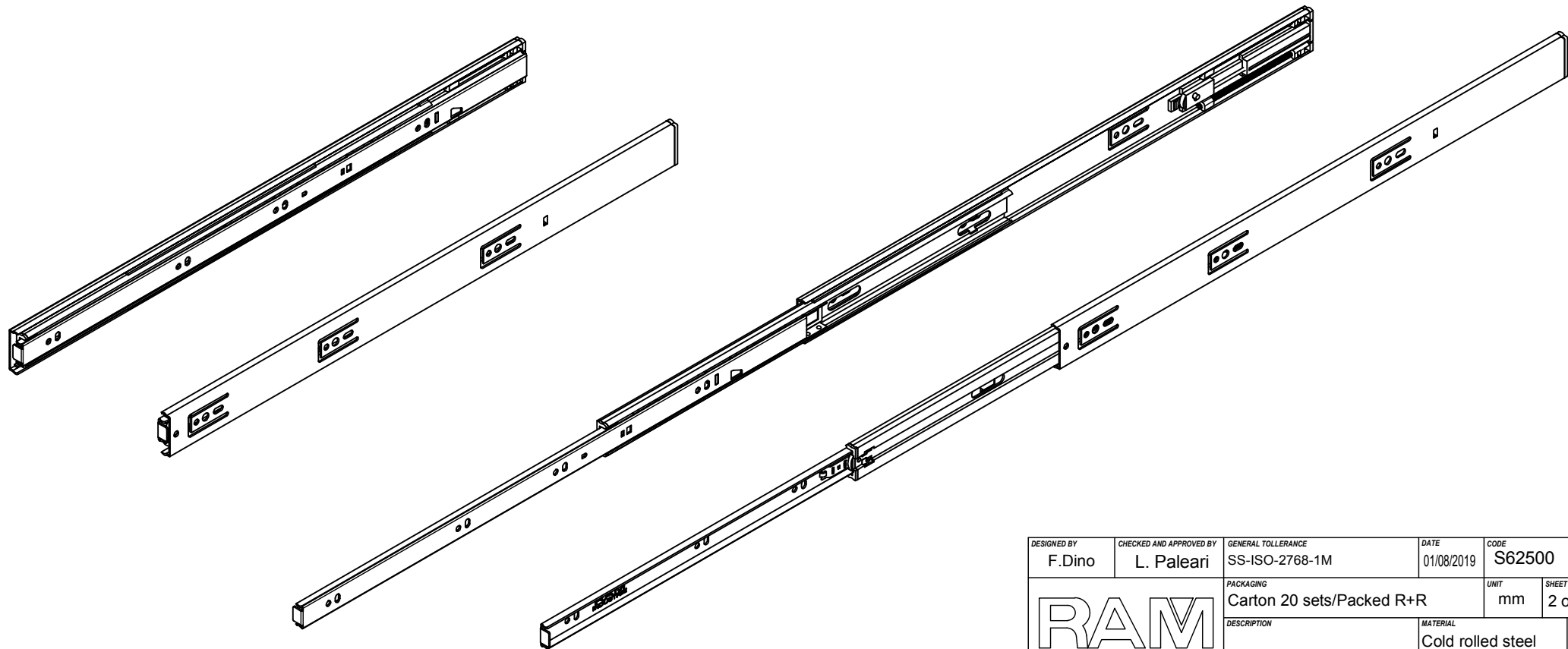
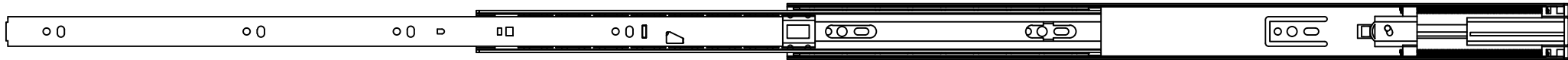
REVISION HISTORY	
DESCRIPTION	DATE
	01/08/2019

DESIGNED BY F. Dino	CHECKED AND APPROVED BY L. Paleari	GENERAL TOLERANCE SS-ISO-2768-1M	DATE 01/08/2019	CODE S62500
		PACKAGING Carton 20 sets/Packed R+R	UNIT mm	SHEET 1 of 2
		DESCRIPTION Soft self closing	MATERIAL Cold rolled steel	T02
		PAIR WEIGHT 1,102 Kg		
<small>Property of RAM Industrie. Without its written authorization the present drawing shall neither be used for construction anyway, communicated to third parties, nor reproduced.</small>				



1000,0

500,0



DESIGNED BY F. Dino	CHECKED AND APPROVED BY L. Paleari	GENERAL TOLERANCE SS-ISO-2768-1M	DATE 01/08/2019	CODE S62500
PACKAGING Carton 20 sets/Packed R+R			UNIT mm	SHEET 2 of 2
DESCRIPTION Soft self closing			MATERIAL Cold rolled steel	T02
DEVICE			PAIR WEIGHT 1,102 Kg	

RAM
INDUSTRIE

GUIDE PER CASSETTI; GUIDE TELESCOPICHE		COULISSES À BILLES; COULISSE TÉLESCOPIQUE		REVISION HISTORY	
DRAWER SLIDE; TELESCOPIC BALL BEARING SLIDE		GUÍAS PARA CAJONES; GUÍA TELEÓPICA		REV	DESCRIPTION
KUGELFÜHRUNG; TELESKOPSCIENEN				DATE	
				1a	01/08/2019

Property of RAM Industrie.
Without its written authorization the present drawing shall neither be used for construction anyway, communicated to third parties, nor reproduced.