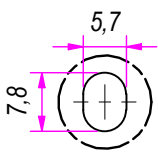
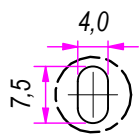


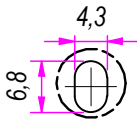
B (1:1)



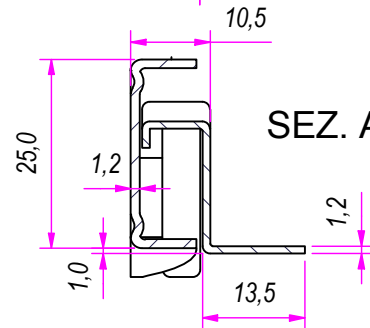
C (1:1)



D (1:1)



SEZ. A-A

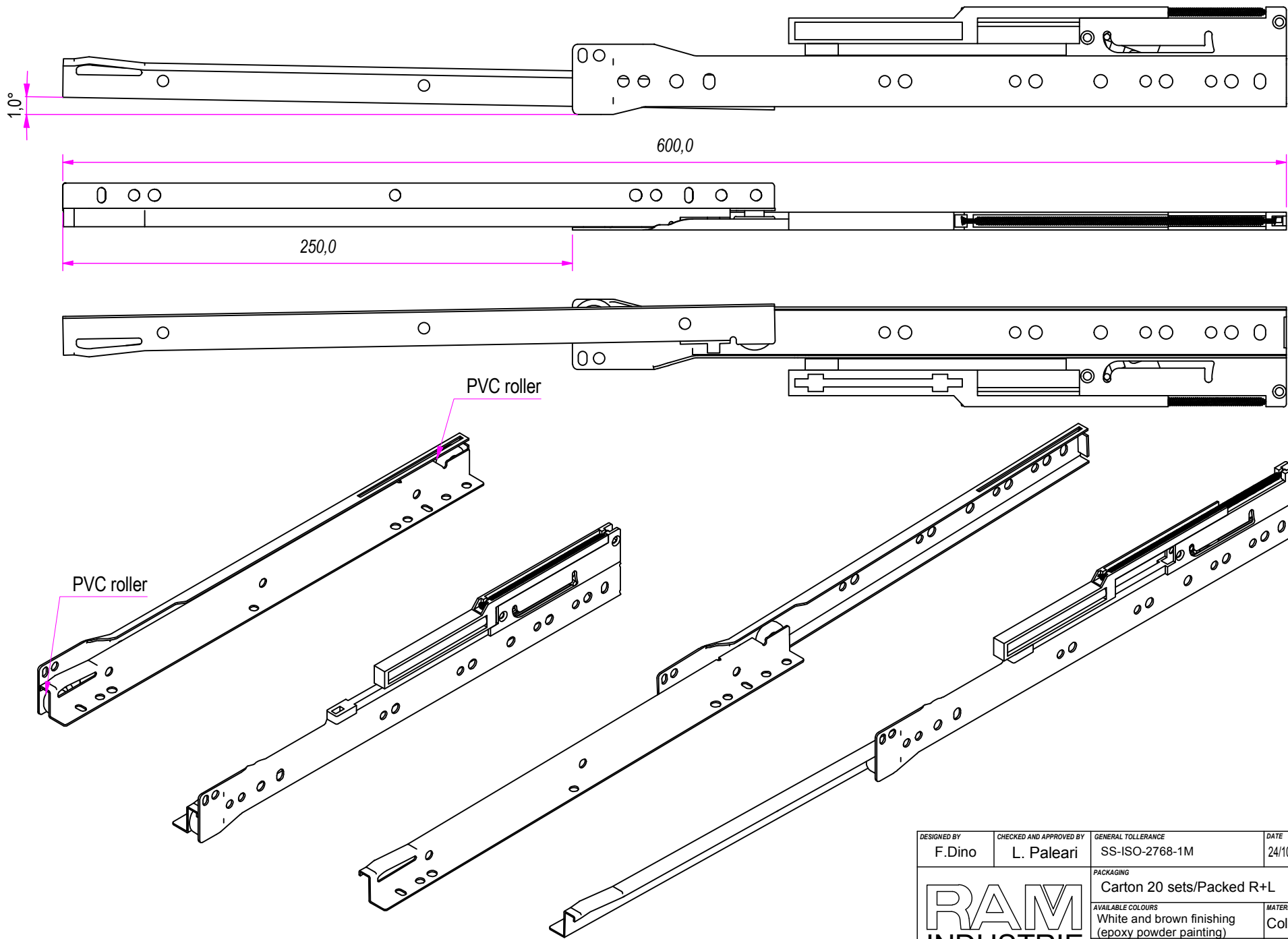


DESIGNED BY F. Dino	CHECKED AND APPROVED BY L. Paleari	GENERAL TOLERANCE SS-ISO-2768-1M	DATE 24/10/2019	CODE S78350
PACKAGING Carton 20 sets/Packed R+L			UNIT mm	SHEET 1 of 2
AVAILABLE COLOURS White and brown finishing (epoxy powder painting)			MATERIAL Cold rolled steel	
DEVICE Soft self closing			PAIR WEIGHT 0,473 Kg	

**RAM**  
**INDUSTRIE**

GUIDE PER CASSETTI; GUIDE TELESCOPICHE	COULISSES À BILLES; COULISSE TÉLESCOPIQUE	REVISION HISTORY	
Drawer slide; telescopic ball bearing slide	Guías para cajones; guía teleópica	REV	DESCRIPTION
Kugelführung; Teleskopschienen		1a	24/10/2019

Property of RAM Industrie.  
Without its written authorization the present drawing shall neither be used for construction anyway, communicated to third parties, nor reproduced.



DESIGNED BY F. Dino	CHECKED AND APPROVED BY L. Paleari	GENERAL TOLERANCE SS-ISO-2768-1M	DATE 24/10/2019	CODE S78350
PACKAGING Carton 20 sets/Packed R+L			UNIT mm	SHEET 2 of 2
AVAILABLE COLOURS White and brown finishing (epoxy powder painting)			MATERIAL Cold rolled steel	
DEVICE Soft self closing			PAIR WEIGHT 0,473 Kg	

**RAM**  
**INDUSTRIE**

		REVISION HISTORY	
		REV	DESCRIPTION
Guide per cassetti; guide telescopiche	Coulisses à billes; coulisse télescopique	1a	
Drawer slide; telescopic ball bearing slide	Guías para cajones; guía teleópica		
Kugelführung; Teleskopschienen			

DATE  
24/10/2019

Property of RAM Industrie.  
Without its written authorization the present drawing shall neither be used for construction anyway, communicated to third parties, nor reproduced.