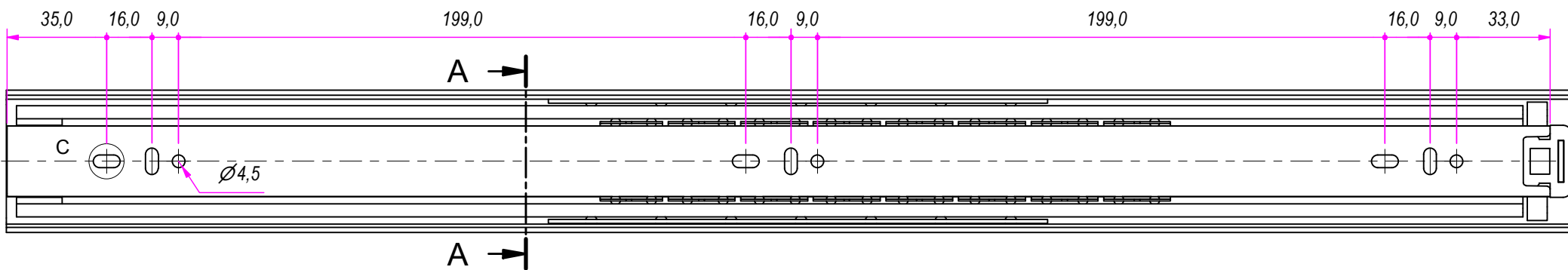


1a

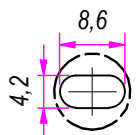
550,0



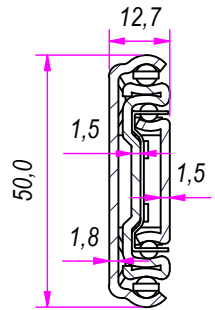
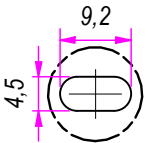
A →

SEZ. A-A

B (1:1)



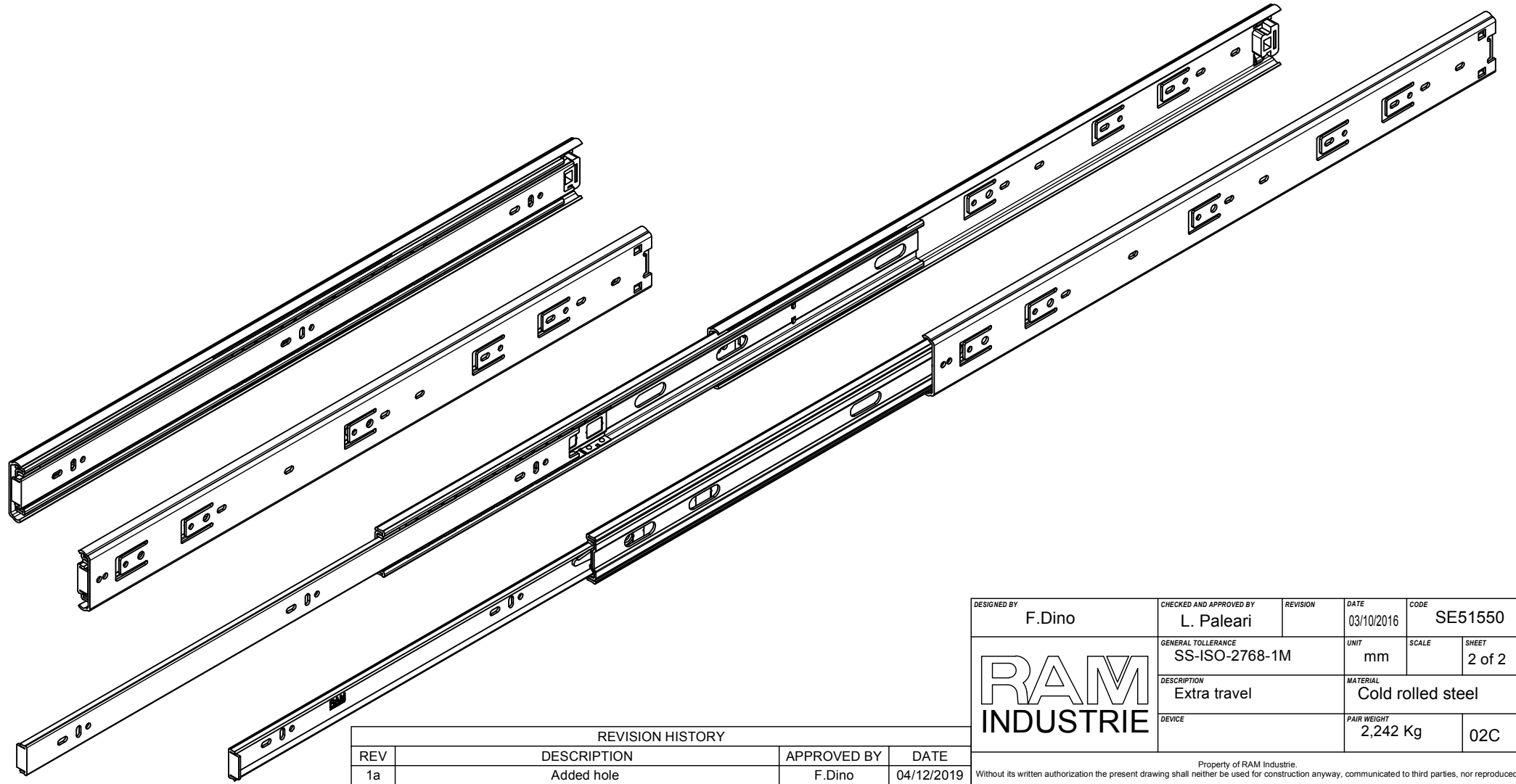
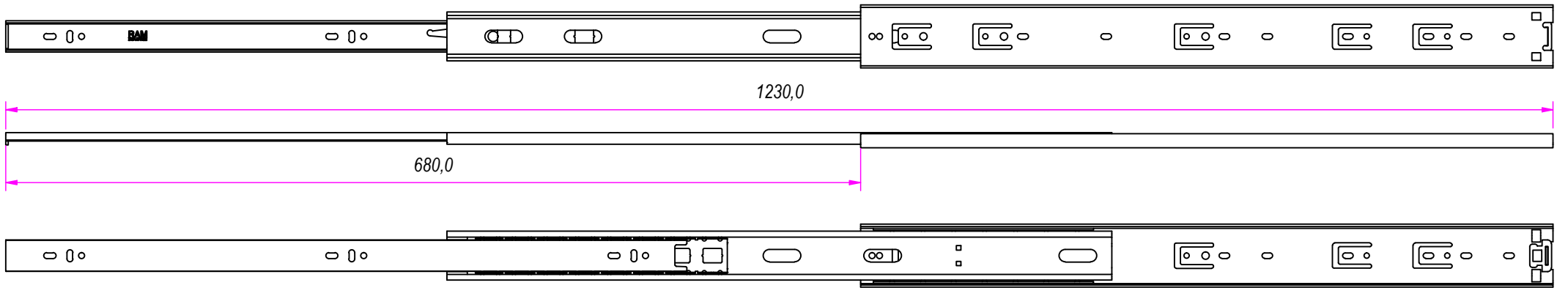
C (1:1)




DESIGNED BY F.Dino	CHECKED AND APPROVED BY L. Paleari	REVISION	DATE 03/10/2016	CODE SE51550
		GENERAL TOLLERANCE SS-ISO-2768-1M	UNIT mm	SCALE 1 of 2
		DESCRIPTION Extra travel	MATERIAL Cold rolled steel	
		DEVICE	PAIR WEIGHT 2,242 Kg	02C

REVISION HISTORY			
REV	DESCRIPTION	APPROVED BY	DATE
1a	Added hole	F.Dino	04/12/2019

Property of RAM Industrie.
Without its written authorization the present drawing shall neither be used for construction anyway, communicated to third parties, nor reproduced.



REVISION HISTORY			
REV	DESCRIPTION	APPROVED BY	DATE
1a	Added hole	F.Dino	04/12/2019

DESIGNED BY F.Dino	CHECKED AND APPROVED BY L. Paleari	REVISION	DATE 03/10/2016	CODE SE51550
		GENERAL TOLLERANCE SS-ISO-2768-1M	UNIT mm	SCALE SHEET 2 of 2
		DESCRIPTION Extra travel	MATERIAL Cold rolled steel	
		DEVICE	PAIR WEIGHT 2,242 Kg	02C
<small>Property of RAM Industrie. Without its written authorization the present drawing shall neither be used for construction anyway, communicated to third parties, nor reproduced.</small>				