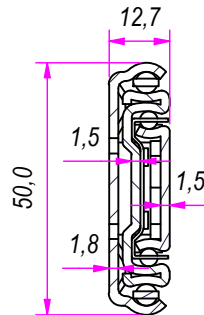


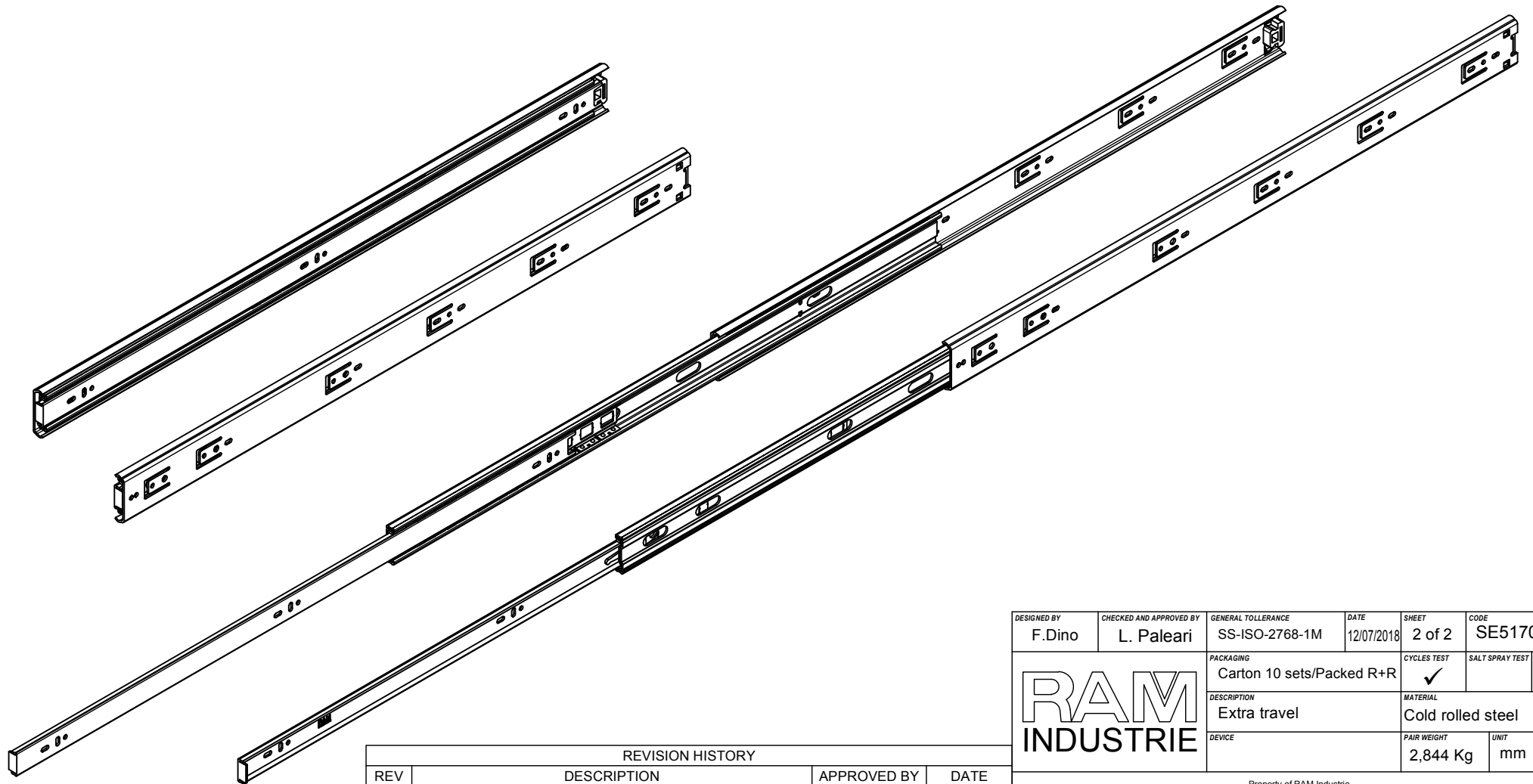
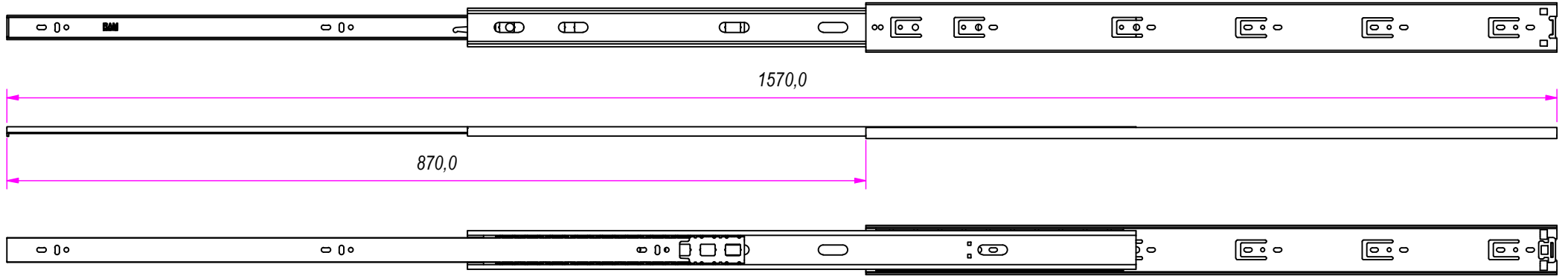
SEZ. A-A



REVISION HISTORY			
REV	DESCRIPTION	APPROVED BY	DATE
1a	Added hole	F.Dino	04/12/2019

DESIGNED BY F.Dino	CHECKED AND APPROVED BY L. Paleari	GENERAL TOLERANCE SS-ISO-2768-1M	DATE 12/07/2018	SHEET 1 of 2	CODE SE51700
		PACKAGING Carton 10 sets/Packed R+R	CYCLES TEST ✓	SALT SPRAY TEST	L/O LABEL ✓
		DESCRIPTION Extra travel	MATERIAL Cold rolled steel		
DEVICE		PAIR WEIGHT 2,844 Kg	UNIT mm	02C	

Property of RAM Industrie.
Without its written authorization the present drawing shall neither be used for construction anyway, communicated to third parties, nor reproduced.



REVISION HISTORY			
REV	DESCRIPTION	APPROVED BY	DATE
1a	Added hole	F.Dino	04/12/2019

DESIGNED BY F.Dino	CHECKED AND APPROVED BY L. Paleari	GENERAL TOLLERANCE SS-ISO-2768-1M	DATE 12/07/2018	SHEET 2 of 2	CODE SE51700
		PACKAGING Carton 10 sets/Packed R+R	CYCLES TEST ✓	SALT SPRAY TEST	L/O LABEL ✓
		DESCRIPTION Extra travel	MATERIAL Cold rolled steel		
		DEVICE	PAIR WEIGHT 2,844 Kg	UNIT mm	02C

Property of RAM Industrie.
Without its written authorization the present drawing shall neither be used for construction anyway, communicated to third parties, nor reproduced.