

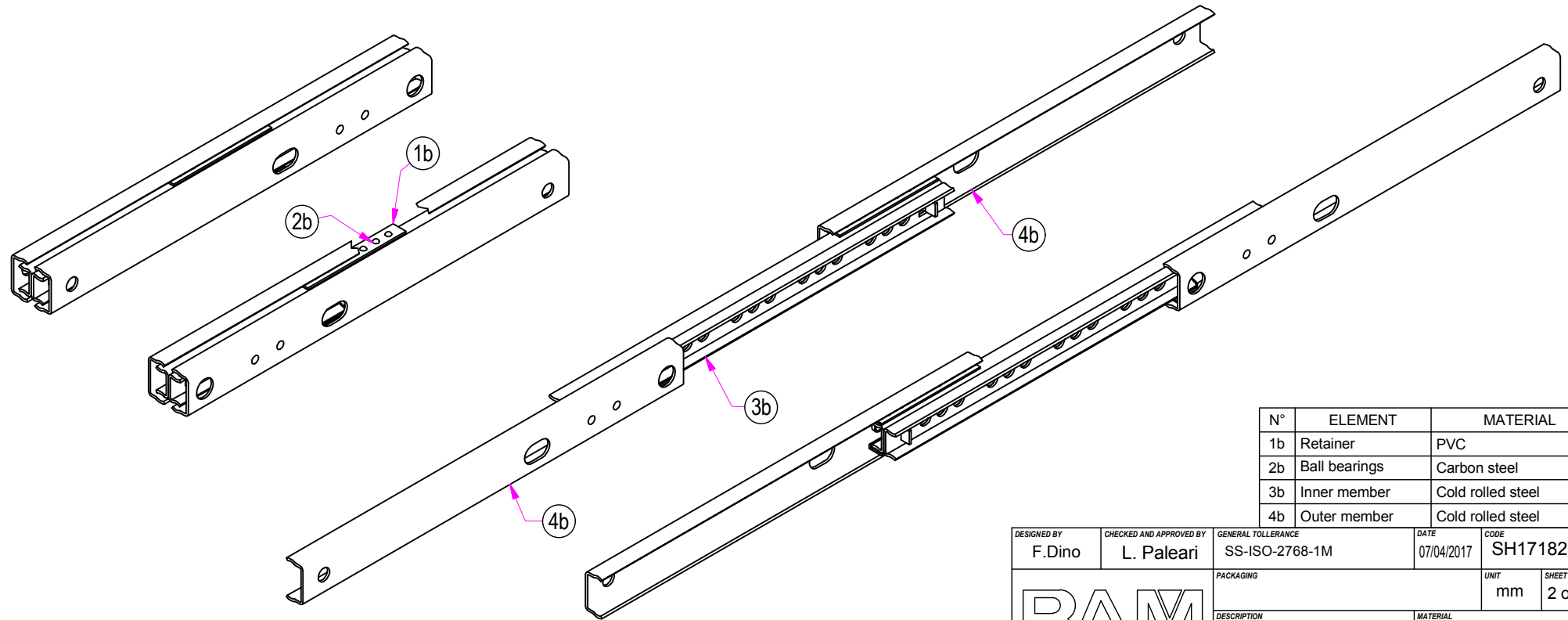
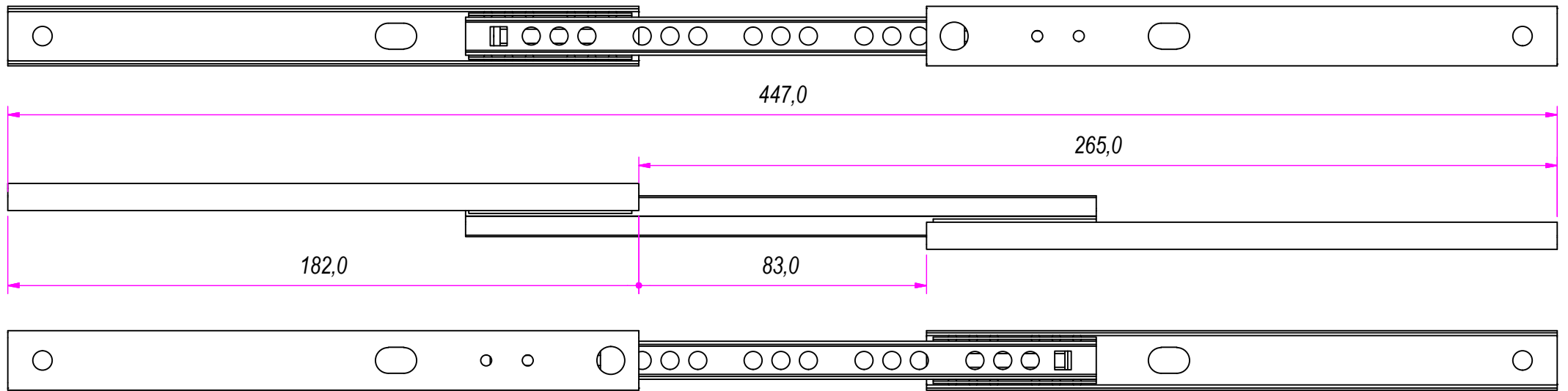
DESIGNED BY F. Dino	CHECKED AND APPROVED BY L. Paleari	GENERAL TOLERANCE SS-ISO-2768-1M	DATE 07/04/2017	CODE SH17182
PACKAGING			UNIT mm	SHEET 1 of 2
DESCRIPTION Two-way travel			MATERIAL Cold rolled steel	
DEVICE			PAIR WEIGHT 0,264 Kg	021

RAM
INDUSTRIE

		REVISION HISTORY	
		REV	DESCRIPTION
Guide per cassetti; guide telescopiche	Coulisses à billes; coulisse télescopique		
Drawer slide; telescopic ball bearing slide	Guías para cajones; guía teleópica	1a	
Kugelführung; Teleskopschienen			

DATE
07/04/2017

Property of RAM Industrie.
Without its written authorization the present drawing shall neither be used for construction anyway, communicated to third parties, nor reproduced.



N°	ELEMENT	MATERIAL
1b	Retainer	PVC
2b	Ball bearings	Carbon steel
3b	Inner member	Cold rolled steel
4b	Outer member	Cold rolled steel

DESIGNED BY F. Dino	CHECKED AND APPROVED BY L. Paleari	GENERAL TOLLERANCE SS-ISO-2768-1M	DATE 07/04/2017	CODE SH17182
PACKAGING			UNIT mm	SHEET 2 of 2
DESCRIPTION Two-way travel			MATERIAL Cold rolled steel	
DEVICE			PAIR WEIGHT 0,264 Kg	021

RAM
INDUSTRIE

		REVISION HISTORY		
		REV	DESCRIPTION	DATE
Guide per cassetti; guide telescopiche	Coulisses à billes; coulisse télescopique			
Drawer slide; telescopic ball bearing slide	Guías para cajones; guía teleópica	1a		07/04/2017
Kugelführung; Teleskopschienen				

Property of RAM Industrie.
Without its written authorization the present drawing shall neither be used for construction anyway, communicated to third parties, nor reproduced.