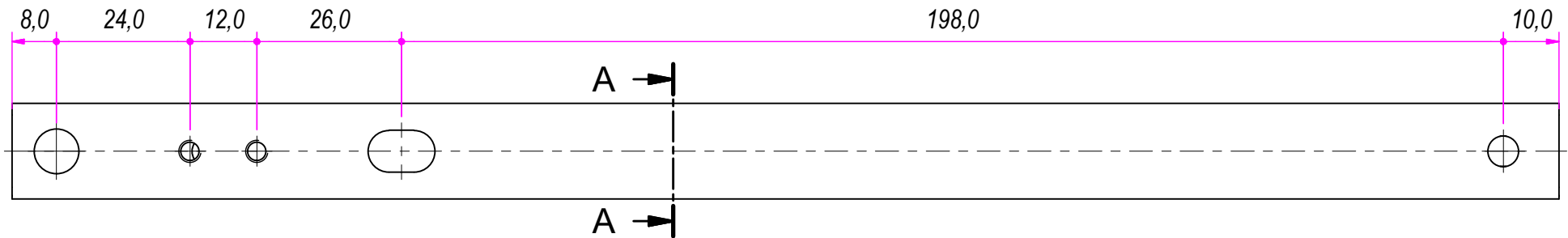
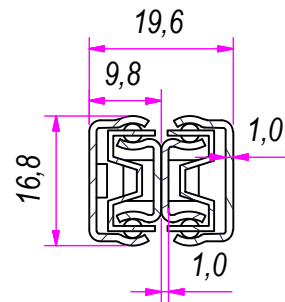


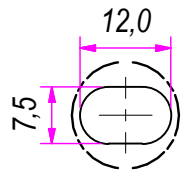
278,0



SEZ. A-A



B (1:1)



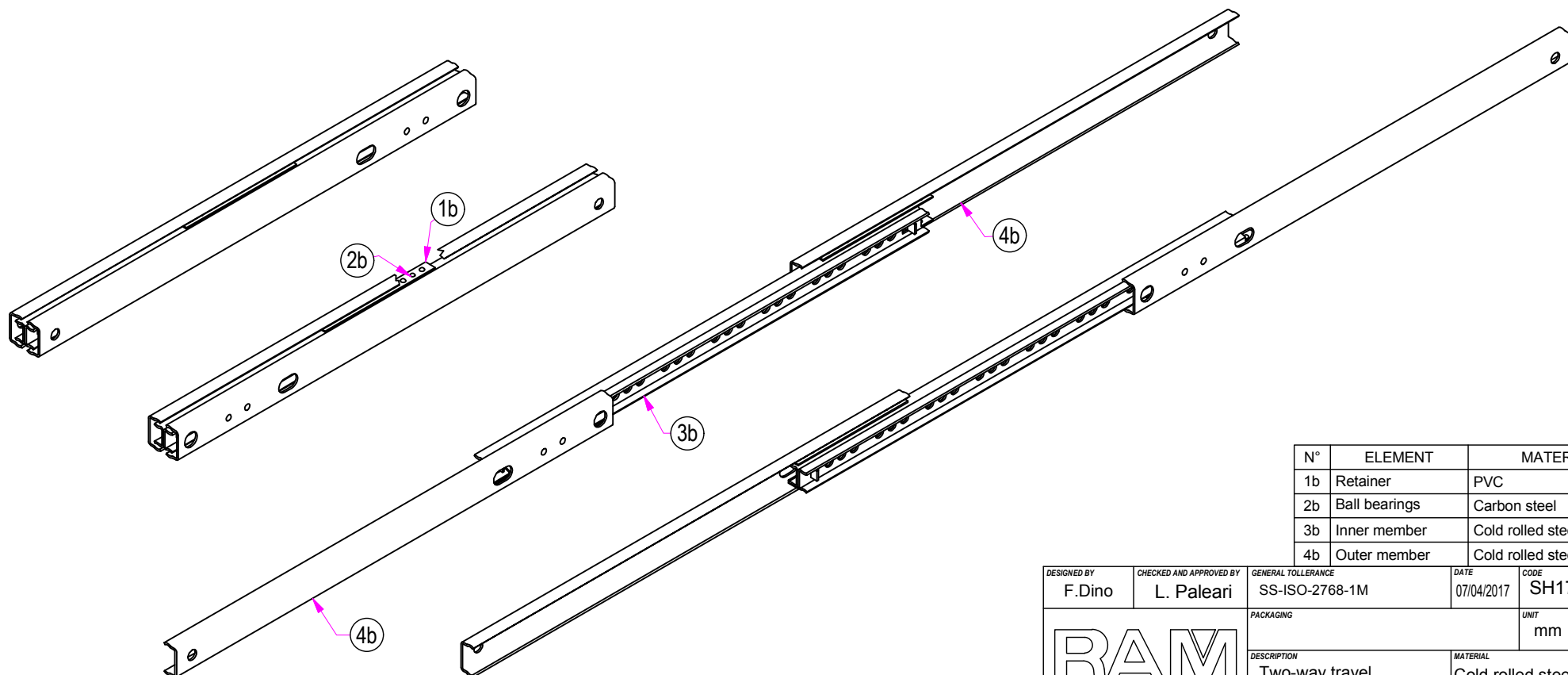
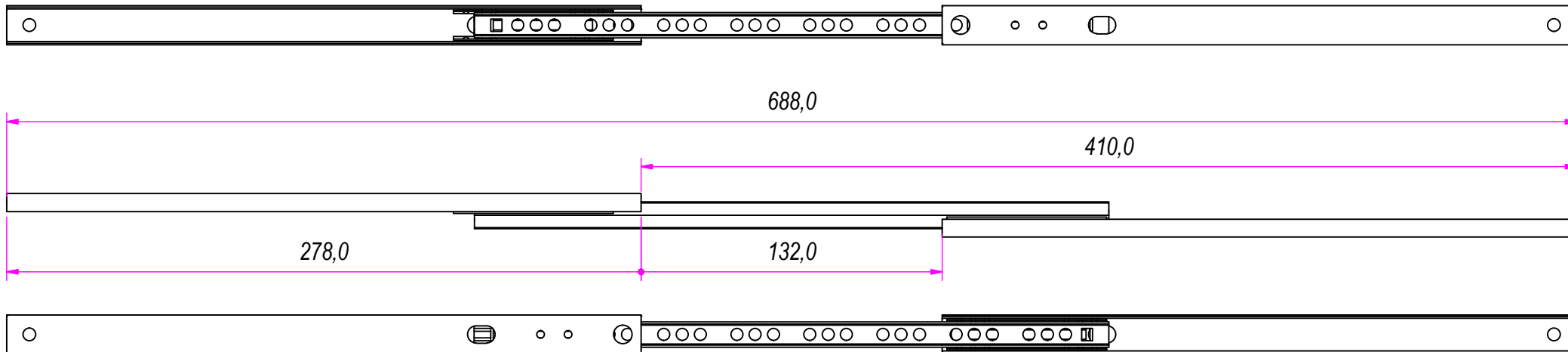
DESIGNED BY F.Dino	CHECKED AND APPROVED BY L. Paleari	GENERAL TOLERANCE SS-ISO-2768-1M	DATE 07/04/2017	CODE SH17278
PACKAGING			UNIT mm	SHEET 1 of 2
DESCRIPTION Two-way travel			MATERIAL Cold rolled steel	
DEVICE			PAIR WEIGHT 0,396 Kg	021

**RAM**  
**INDUSTRIE**

Property of RAM Industrie.

Without its written authorization the present drawing shall neither be used for construction anyway, communicated to third parties, nor reproduced.

REVISION HISTORY		REV	DESCRIPTION	DATE
Guide per cassetti; guide telescopiche	Coulisses à billes; coulisse télescopique	1a		07/04/2017
Drawer slide; telescopic ball bearing slide	Guías para cajones; guía teleópica			
Kugelführung; Teleskopschienen				



N°	ELEMENT	MATERIAL
1b	Retainer	PVC
2b	Ball bearings	Carbon steel
3b	Inner member	Cold rolled steel
4b	Outer member	Cold rolled steel

DESIGNED BY F. Dino	CHECKED AND APPROVED BY L. Paleari	GENERAL TOLERANCE SS-ISO-2768-1M	DATE 07/04/2017	CODE SH17278
PACKAGING			UNIT mm	SHEET 2 of 2
DESCRIPTION Two-way travel			MATERIAL Cold rolled steel	
DEVICE			PAIR WEIGHT 0,396 Kg	021

**RAM**  
**INDUSTRIE**

		REVISION HISTORY	
		REV	DESCRIPTION
Guide per cassetti; guide telescopiche	Coulisses à billes; coulisse télescopique		
Drawer slide; telescopic ball bearing slide	Guías para cajones; guía teleópica	1a	
Kugelführung; Teleskopschienen			

DATE  
07/04/2017

Property of RAM Industrie.  
Without its written authorization the present drawing shall neither be used for construction anyway, communicated to third parties, nor reproduced.