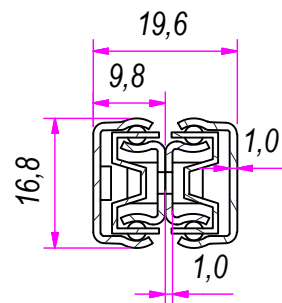
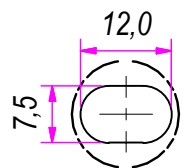


SEZ. A-A



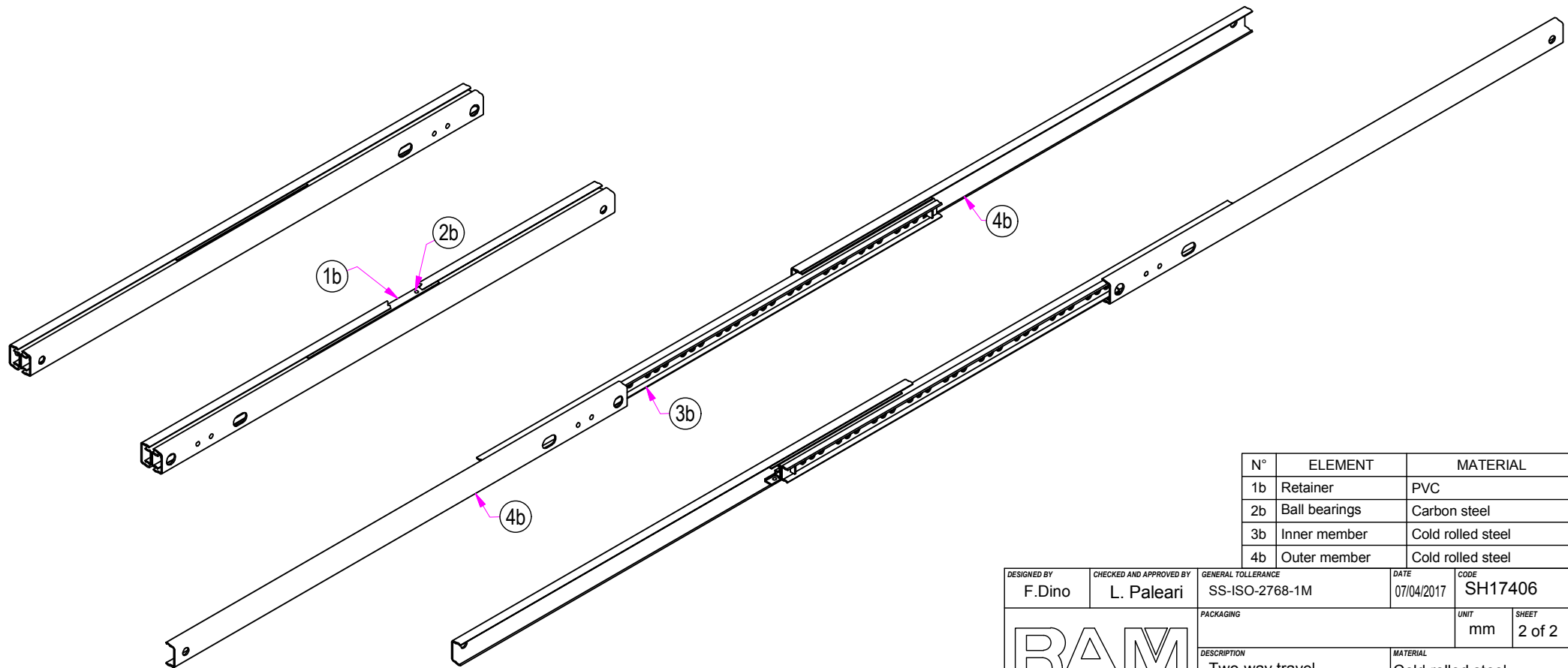
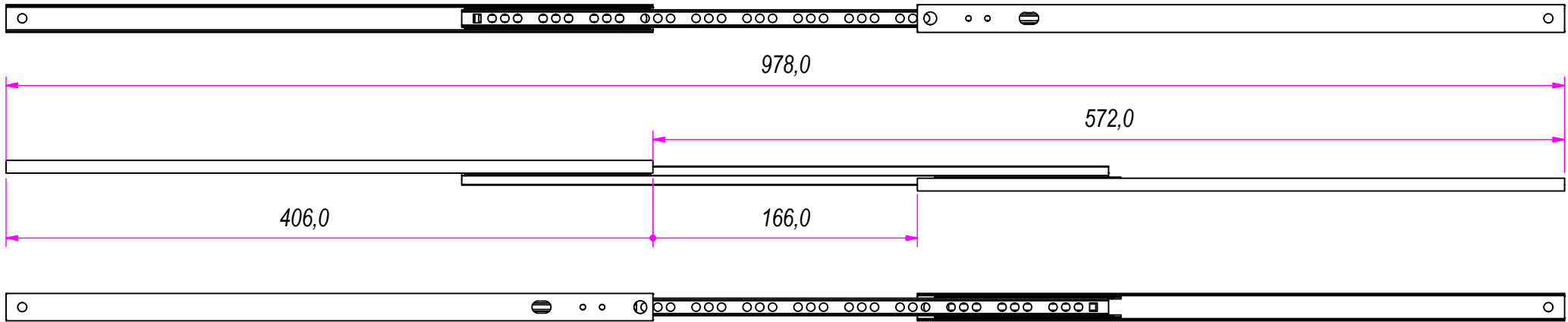
B (1:1)



| | | | | |
|-----------------------|---------------------------------------|-------------------------------------|-------------------------------|-----------------|
| DESIGNED BY F.Dino | CHECKED AND APPROVED BY L. Paleari | GENERAL TOLERANCE SS-ISO-2768-1M | DATE 07/04/2017 | CODE SH17406 |
| PACKAGING | | | UNIT mm | SHEET 1 of 2 |
| | | DESCRIPTION Two-way travel | MATERIAL Cold rolled steel | |
| | | DEVICE | PAIR WEIGHT 0,578 Kg | 021 |

| | | | | |
|---|---|------------------|-------------|------------|
| Guide per cassetti; guide telescopiche | Coulisses à billes; coulisse télescopique | REVISION HISTORY | | |
| Drawer slide; telescopic ball bearing slide | Guías para cajones; guía teleópica | REV | DESCRIPTION | DATE |
| Kugelführung; Teleskopschienen | | 1a | | 07/04/2017 |

Property of RAM Industrie.
Without its written authorization the present drawing shall neither be used for construction anyway, communicated to third parties, nor reproduced.



| N° | ELEMENT | MATERIAL |
|----|---------------|-------------------|
| 1b | Retainer | PVC |
| 2b | Ball bearings | Carbon steel |
| 3b | Inner member | Cold rolled steel |
| 4b | Outer member | Cold rolled steel |

| | | | | |
|-------------------------------|---------------------------------------|--------------------------------------|-------------------------------|-----------------|
| DESIGNED BY F. Dino | CHECKED AND APPROVED BY L. Paleari | GENERAL TOLLERANCE SS-ISO-2768-1M | DATE 07/04/2017 | CODE SH17406 |
| PACKAGING | | | UNIT mm | SHEET 2 of 2 |
| DESCRIPTION Two-way travel | | | MATERIAL Cold rolled steel | |
| DEVICE | | | PAIR WEIGHT 0,578 Kg | 021 |

RAM
INDUSTRIE

| | | REVISION HISTORY | |
|---|---|------------------|-------------|
| | | REV | DESCRIPTION |
| Guide per cassetti; guide telescopiche | Coulisses à billes; coulisse télescopique | | |
| Drawer slide; telescopic ball bearing slide | Guías para cajones; guía teleópica | 1a | |
| Kugelführung; Teleskopschienen | | | |

DATE
07/04/2017

Property of RAM Industrie.
Without its written authorization the present drawing shall neither be used for construction anyway, communicated to third parties, nor reproduced.