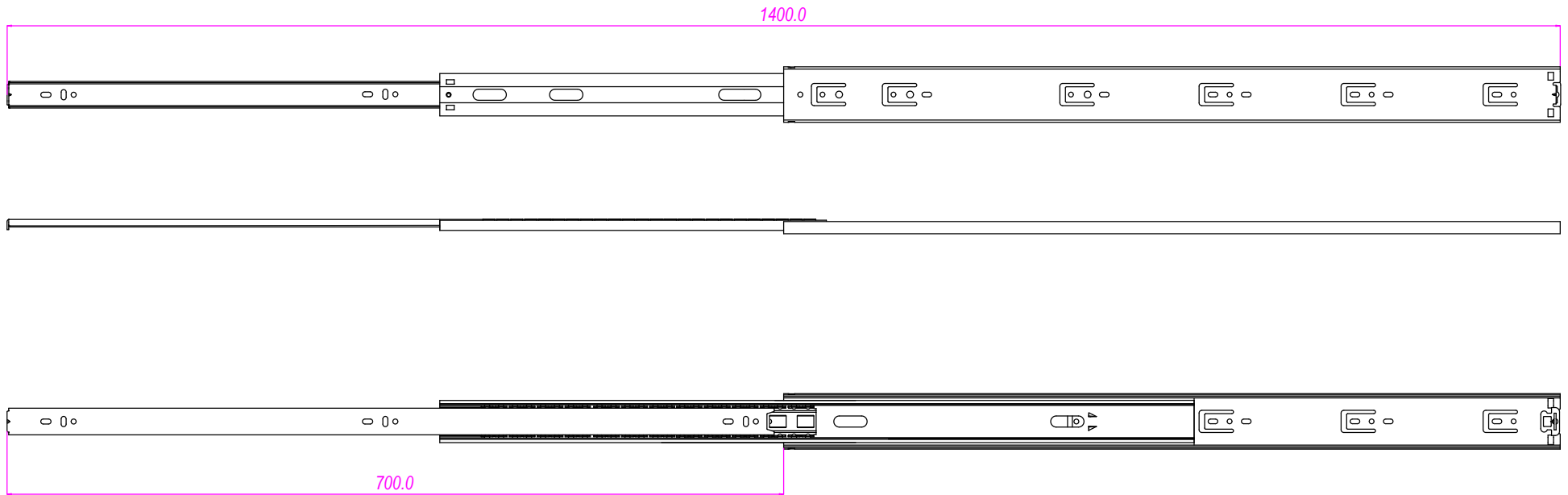



DESIGNED BY A. d'Alesio	CHECKED AND APPROVED BY T. Grassi	GENERAL TOLLERANCE SS-ISO-2768-1M	DATE 09/01/2023	CODE SH51700
PACKAGING Carton 1 piece			UNIT mm	SHEET 1of 2
DESCRIPTION		MATERIAL Cold rolled steel		
DEVICE		PAIR WEIGHT WITH CARTON		



Property of RAM industrie
Without its written authorization the present drawing shall neither be used for construction anyway, communicated to third parties, nor reproduced.



DESIGNED BY A. d'Alesio	CHECKED AND APPROVED BY T. Grassi	GENERAL TOLLERANCE SS-ISO-2768-1M	DATE 09/01/2023	CODE SH51700	
			PACKAGING Carton 1 piece	UNIT mm	SHEET 2of 2
			DESCRIPTION	MATERIAL Cold rolled steel	
DEVICE			PAIR WEIGHT WITH CARTON		
<small>Property of RAM industrie Without its written authorization the present drawing shall neither be used for construction anyway, communicated to third parties, nor reproduced.</small>					