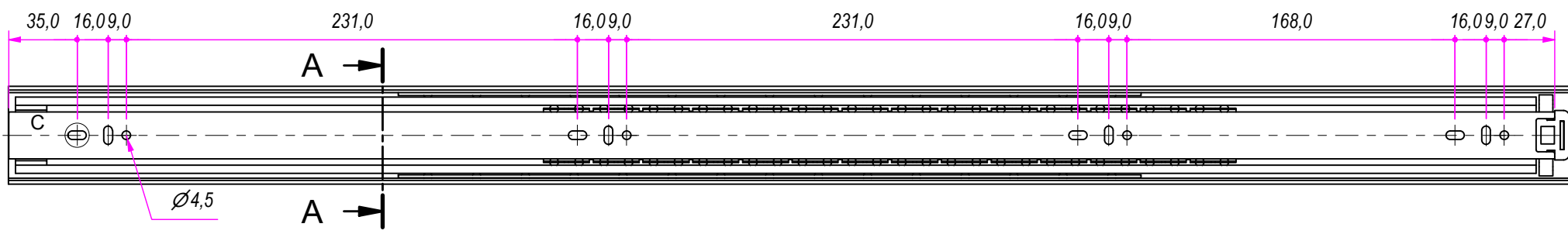
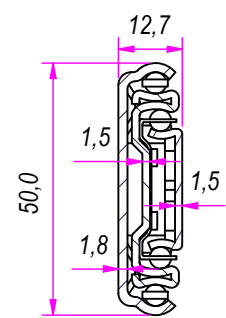


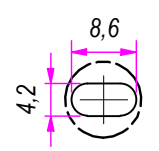
800,0



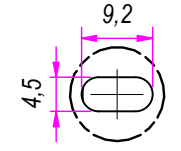
SEZ. A-A



B (1:1)



C (1:1)



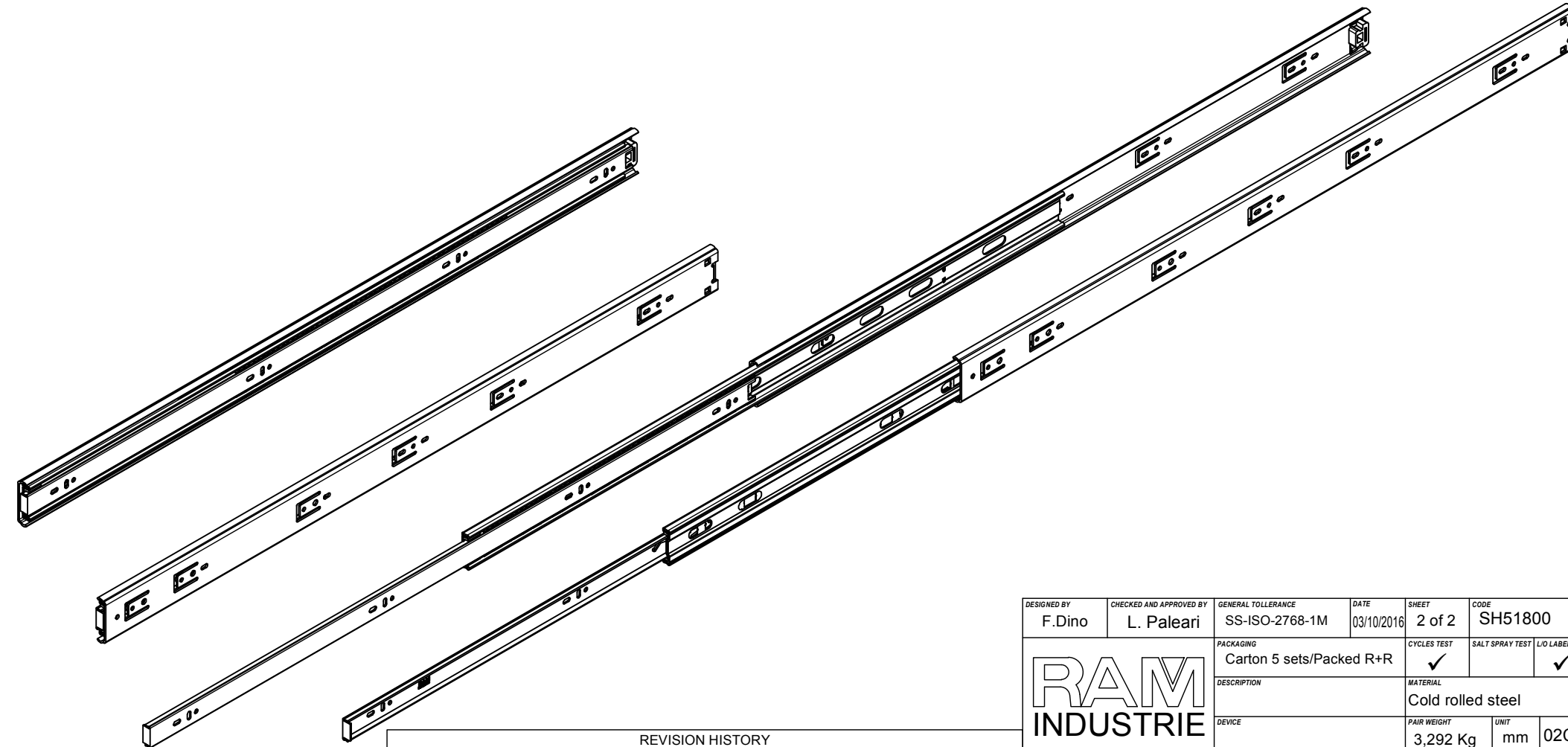
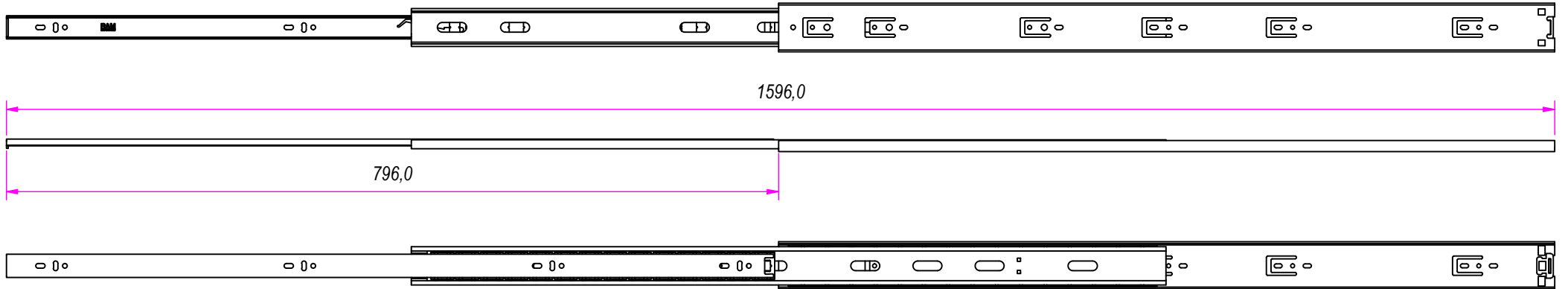
REVISION HISTORY

REV	DESCRIPTION	APPROVED BY	DATE
1	Eliminated slotted hole (20-97)	F.Dino	29/12/2020

DESIGNED BY F.Dino	CHECKED AND APPROVED BY L. Paleari	GENERAL TOLERANCE SS-ISO-2768-1M	DATE 03/10/2016	SHEET 1 of 2	CODE SH51800
PACKAGING Carton 5 sets/Packed R+R			CYCLES TEST ✓	SALT SPRAY TEST	L/O LABEL ✓
DESCRIPTION				MATERIAL Cold rolled steel	
DEVICE				PAIR WEIGHT 3,292 Kg	UNIT mm
				02C	

**RAM**  
**INDUSTRIE**

Property of RAM Industrie.  
Without its written authorization the present drawing shall neither be used for construction anyway, communicated to third parties, nor reproduced.



REVISION HISTORY			
REV	DESCRIPTION	APPROVED BY	DATE
1	Eliminated slotted hole (20-97)	F.Dino	29/12/2020

DESIGNED BY F.Dino	CHECKED AND APPROVED BY L. Paleari	GENERAL TOLLERANCE SS-ISO-2768-1M	DATE 03/10/2016	SHEET 2 of 2	CODE SH51800
PACKAGING Carton 5 sets/Packed R+R			CYCLES TEST ✓	SALT SPRAY TEST	L/O LABEL ✓
DESCRIPTION				MATERIAL Cold rolled steel	
DEVICE				PAIR WEIGHT 3,292 Kg	UNIT mm 02C

**RAM**  
INDUSTRIE

Property of RAM Industrie.  
Without its written authorization the present drawing shall neither be used for construction anyway, communicated to third parties, nor reproduced.