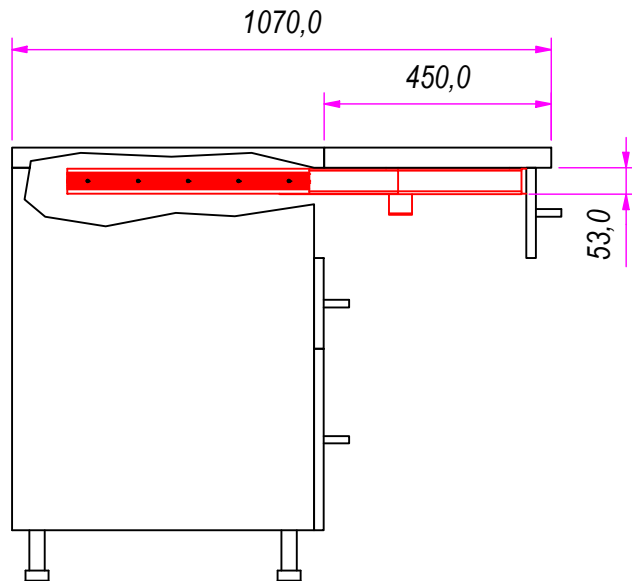
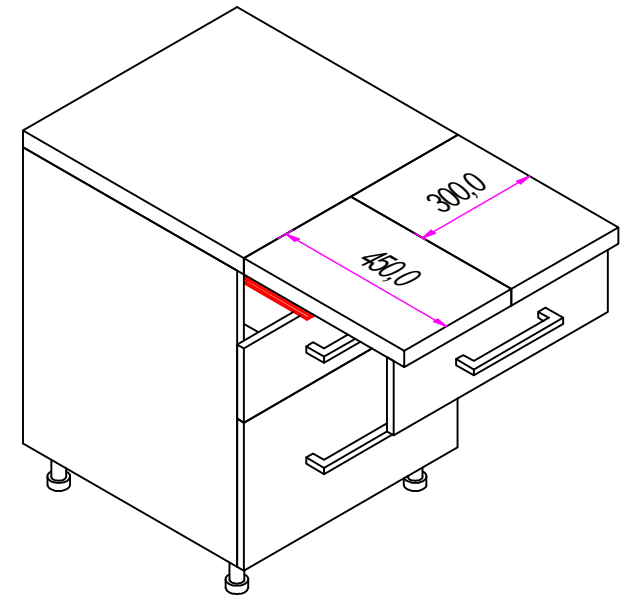
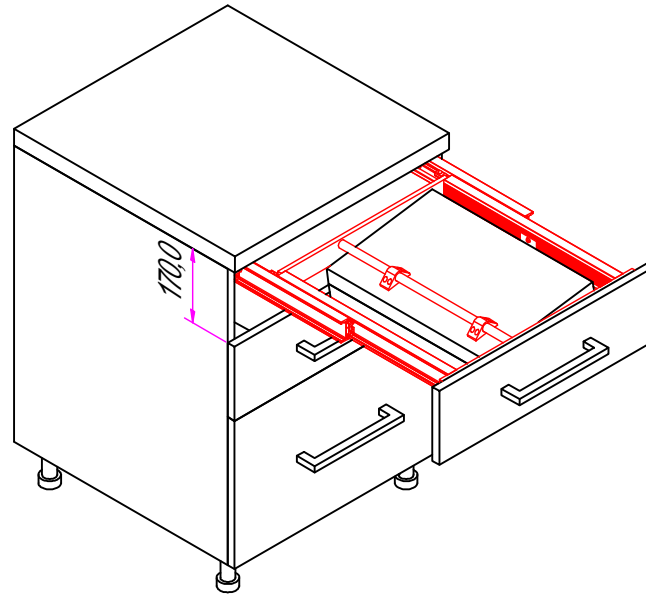
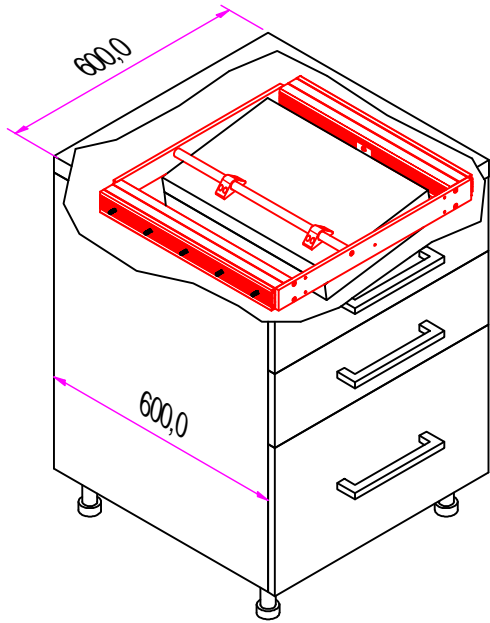
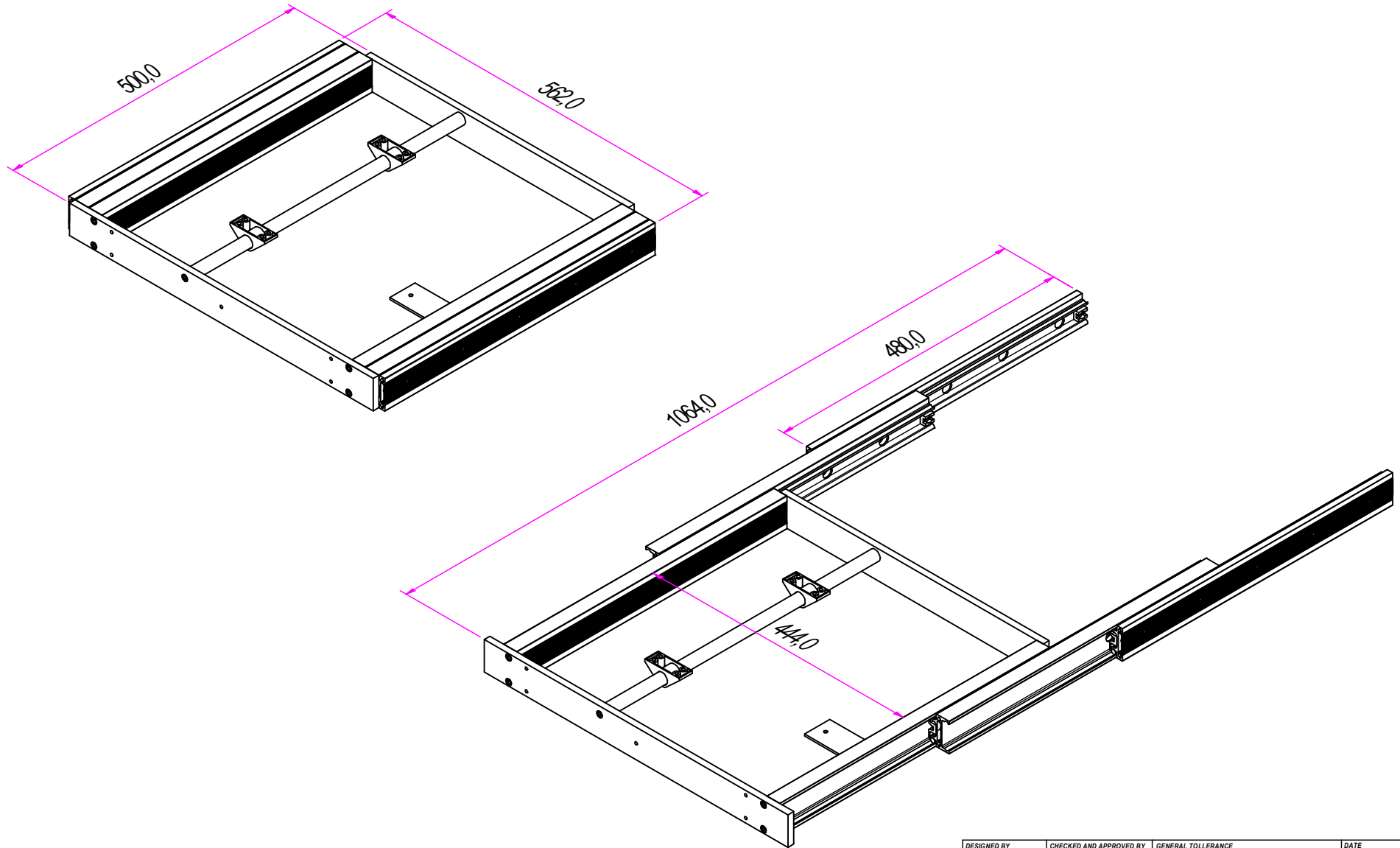


CABINET 600 mm EXTENSION 450 mm



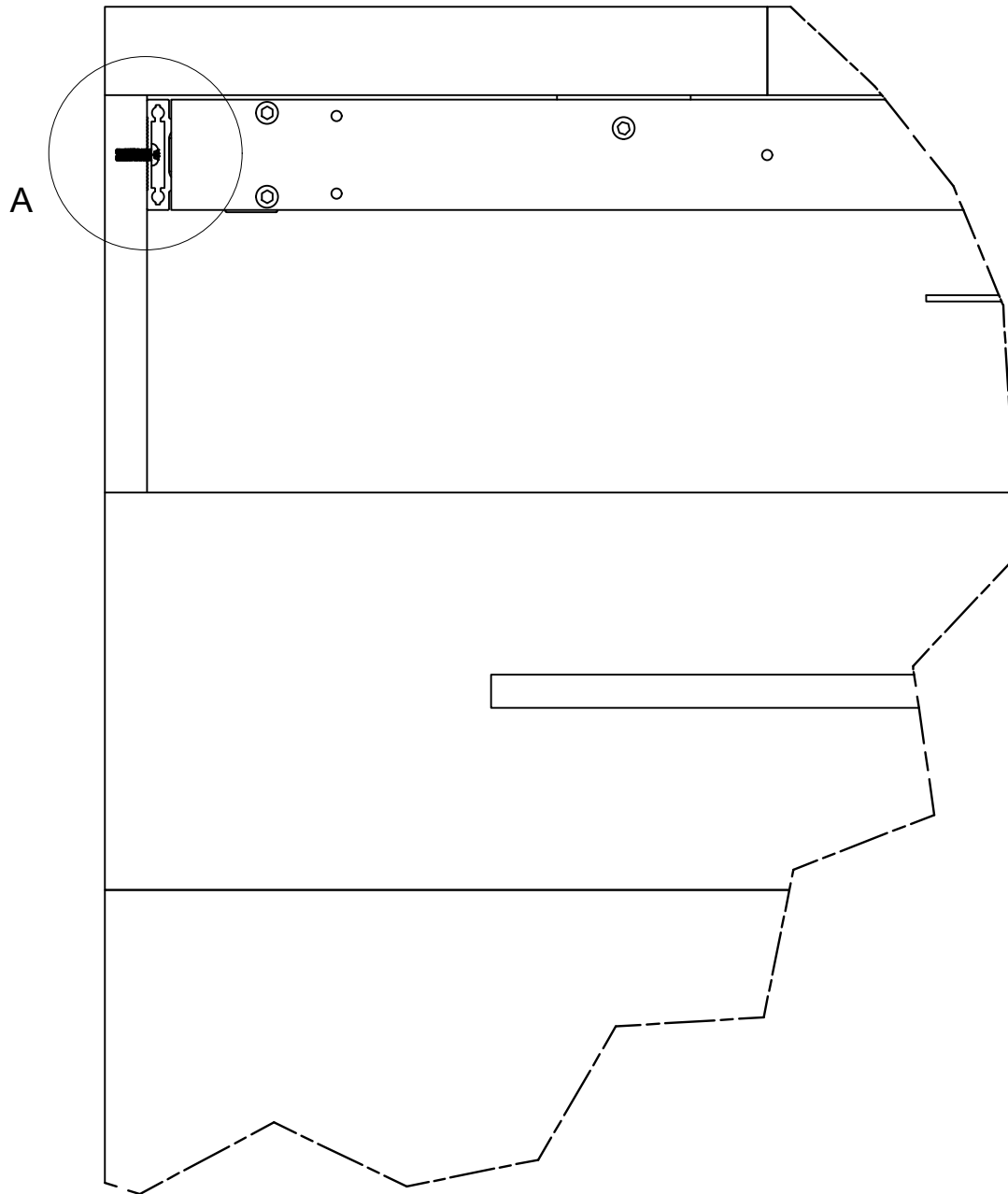
DESIGNED BY F.Dino	CHECKED AND APPROVED BY L. Paleari	GENERAL TOLERANCE SS-ISO-2768-1M	DATE 28/09/2021	CODE T110450A
PACKAGING			UNIT mm	SHEET 1 of 7
DESCRIPTION		MATERIAL Aluminum		
DEVICE		PAIR WEIGHT		

Property of RAM Industrie.
Without its written authorization the present drawing shall neither be used for construction anyway, communicated to third parties, nor reproduced.

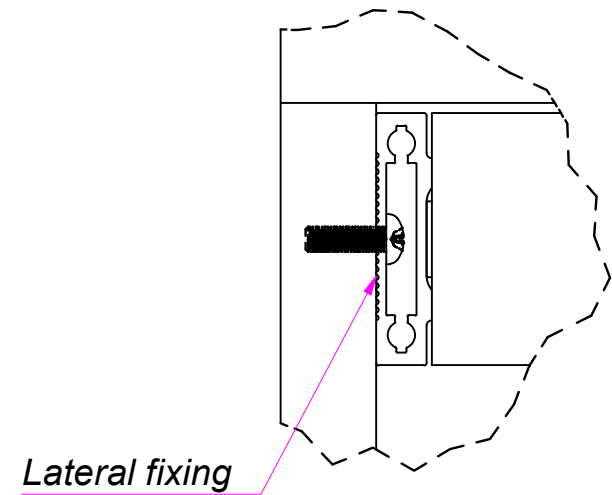


DESIGNED BY F.Dino	CHECKED AND APPROVED BY L. Paleari	GENERAL TOLERANCE SS-ISO-2768-1M	DATE 28/09/2021	CODE T110450A
PACKAGING			UNIT mm	SHEET 2 of 7
DESCRIPTION			MATERIAL Aluminum	
DEVICE			PAIR WEIGHT	

Property of RAM Industrie.
Without its written authorization the present drawing shall neither be used for construction anyway, communicated to third parties, nor reproduced.



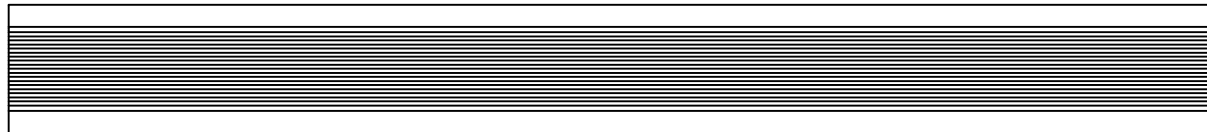
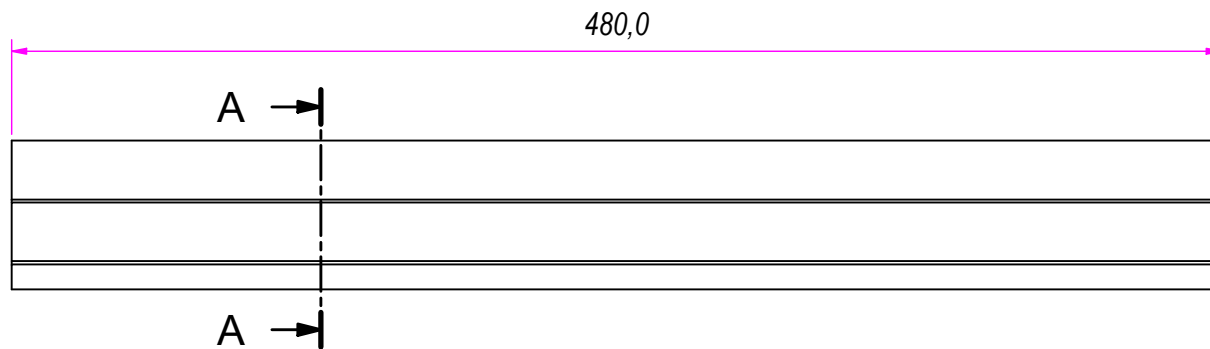
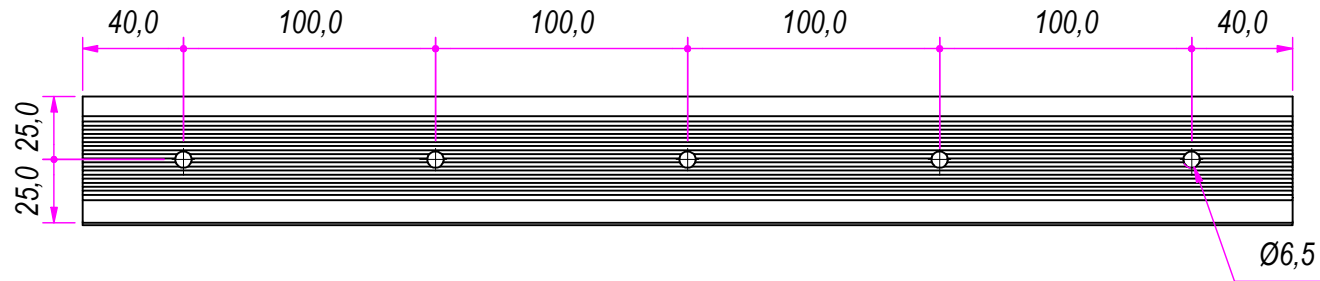
A (1 : 1.5)



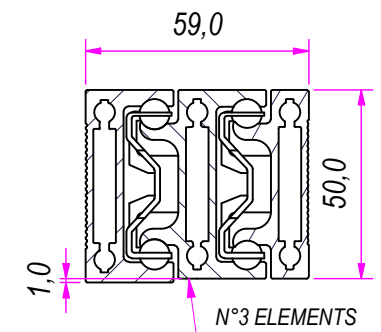
DESIGNED BY F.Dino	CHECKED AND APPROVED BY L. Paleari	GENERAL TOLERANCE SS-ISO-2768-1M	DATE 28/09/2021	CODE T110450A
PACKAGING			UNIT mm	SHEET 3 of 7
DESCRIPTION RAM INDUSTRIE		MATERIAL Aluminum		
DEVICE		PAIR WEIGHT		

Property of RAM Industrie.
Without its written authorization the present drawing shall neither be used for construction anyway, communicated to third parties, nor reproduced.

A

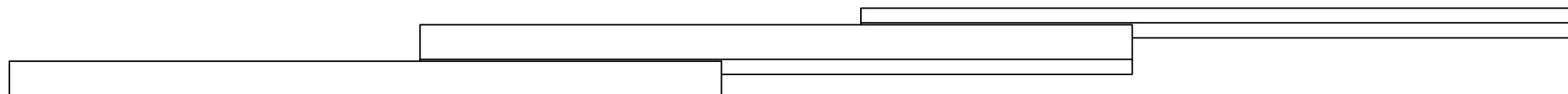
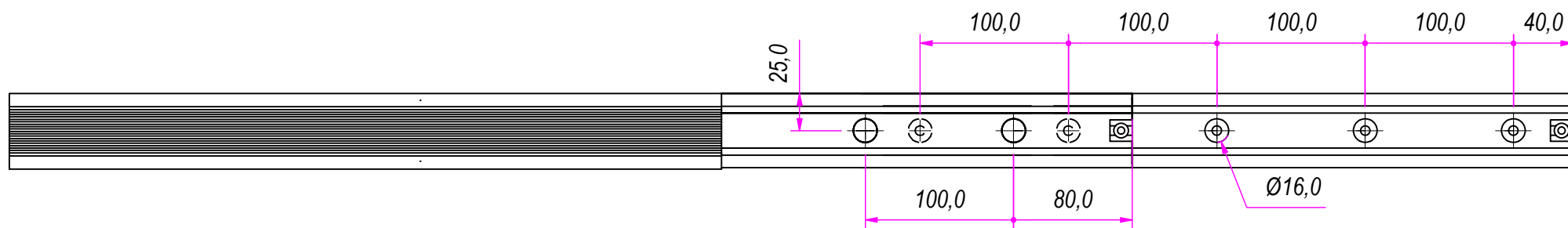
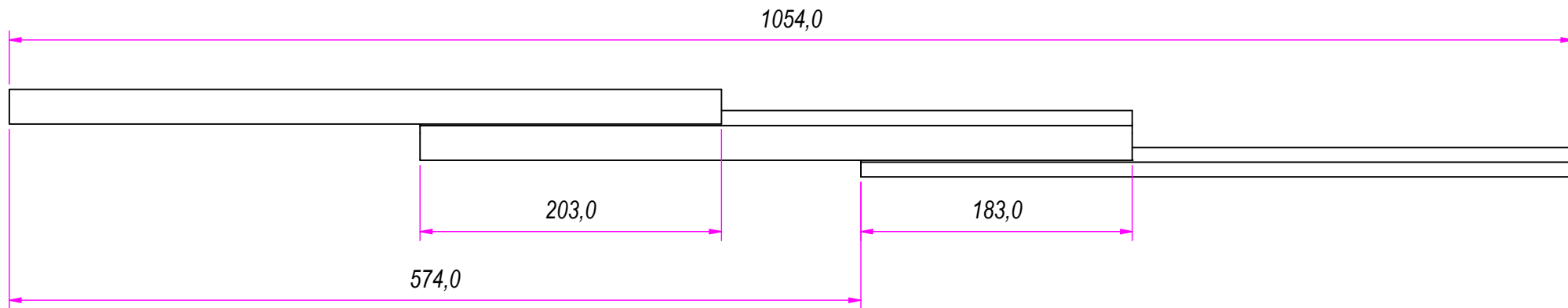


SEZ. A-A



DESIGNED BY F.Dino	CHECKED AND APPROVED BY L. Paleari	GENERAL TOLLERANCE SS-ISO-2768-1M	DATE 28/09/2021	CODE T1103480
			PACKAGING	UNIT mm
			DESCRIPTION	SHEET 4 of 7
DEVICE		MATERIAL Aluminum		
		PAIR WEIGHT		

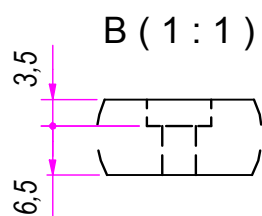
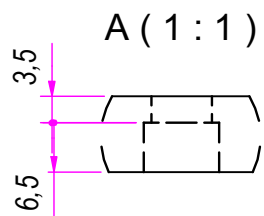
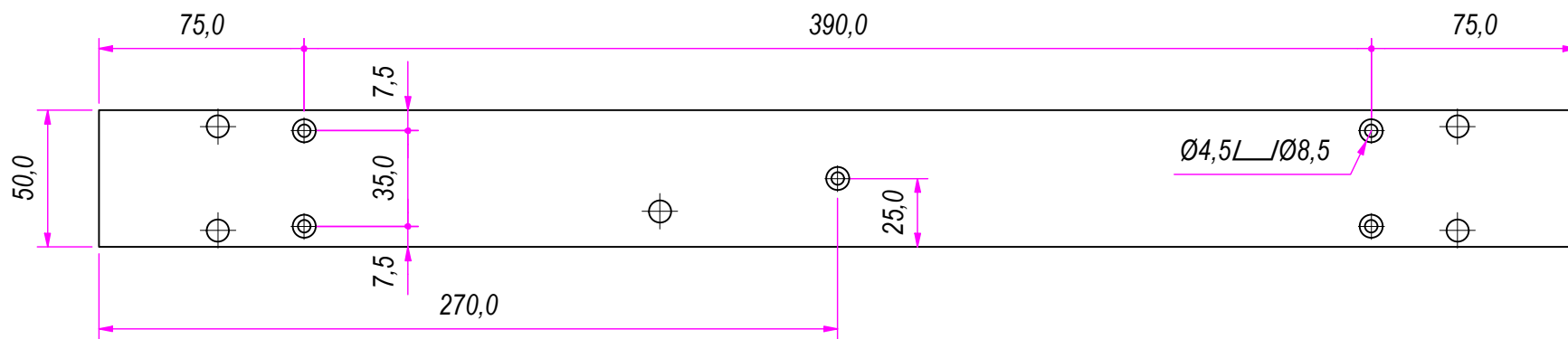
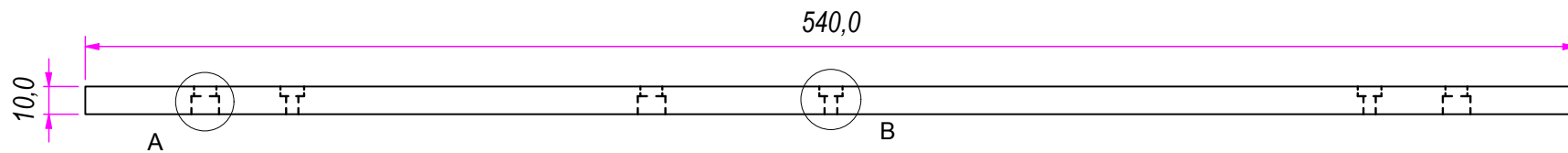
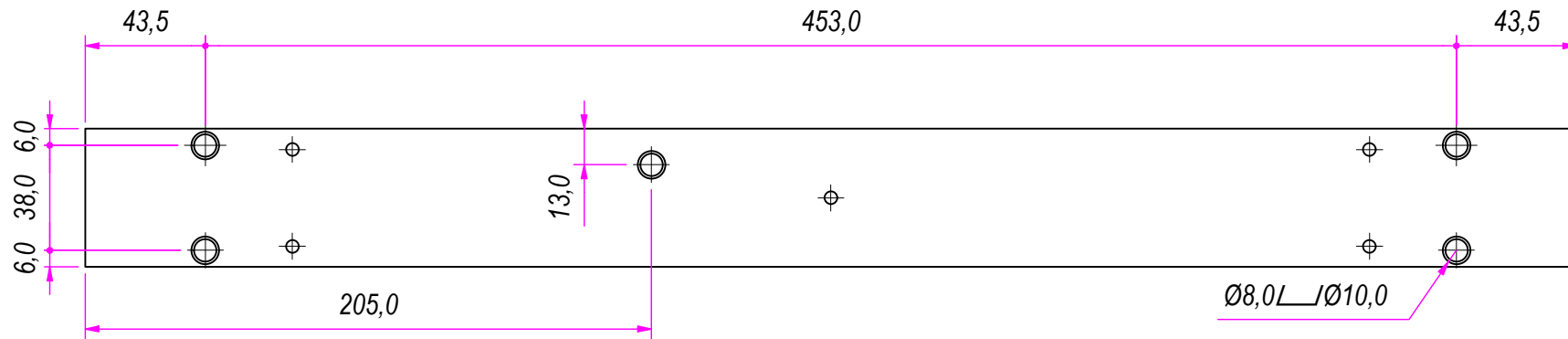
Property of RAM Industrie.
Without its written authorization the present drawing shall neither be used for construction anyway, communicated to third parties, nor reproduced.



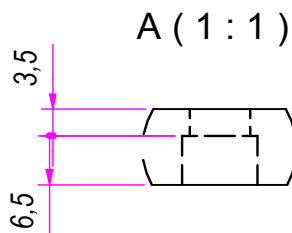
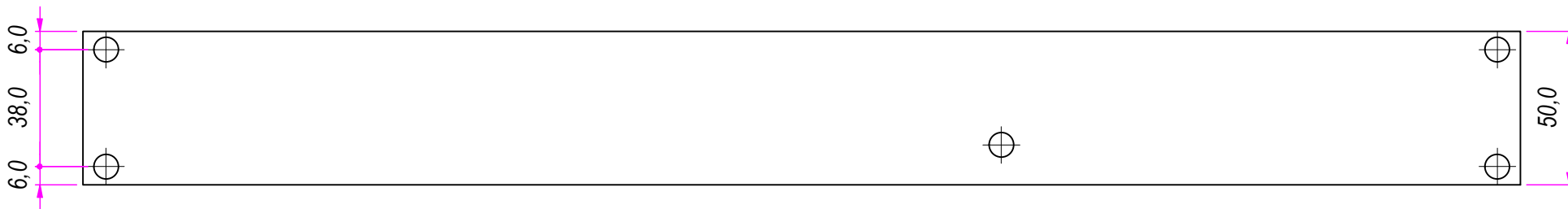
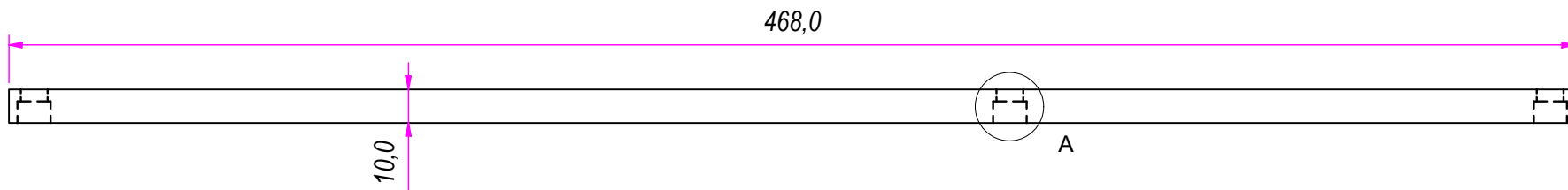
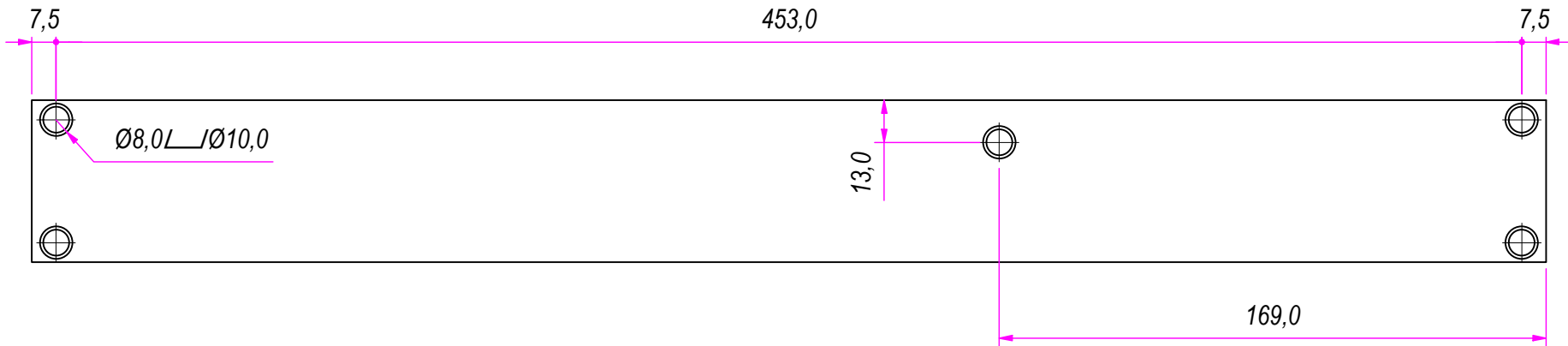
DESIGNED BY F. Dino	CHECKED AND APPROVED BY L. Paleari	GENERAL TOLLERANCE SS-ISO-2768-1M	DATE 28/09/2021	CODE T1103480
			PACKAGING	UNIT mm
			DESCRIPTION	MATERIAL Aluminum
			DEVICE	PAIR WEIGHT

Property of RAM Industrie.
Without its written authorization the present drawing shall neither be used for construction anyway, communicated to third parties, nor reproduced.

B



DESIGNED BY F. Dino	CHECKED AND APPROVED BY L. Paleari	GENERAL TOLERANCE SS-ISO-2768-1M	DATE 28/09/2021	CODE X.PIAS-ALL-540
PACKAGING			UNIT mm	SHEET 6 of 7
DESCRIPTION RAM INDUSTRIE		MATERIAL Aluminum		
DEVICE		PAIR WEIGHT		
Property of RAM Industrie. Without its written authorization the present drawing shall neither be used for construction anyway, communicated to third parties, nor reproduced.				



DESIGNED BY F.Dino	CHECKED AND APPROVED BY L. Paleari	GENERAL TOLERANCE SS-ISO-2768-1M	DATE 28/09/2021	CODE X.PIAS-ALL-470
PACKAGING			UNIT mm	SHEET 7 of 7
DESCRIPTION RAM INDUSTRIE		MATERIAL Aluminum		
DEVICE		PAIR WEIGHT		

Property of RAM Industrie.
Without its written authorization the present drawing shall neither be used for construction anyway, communicated to third parties, nor reproduced.