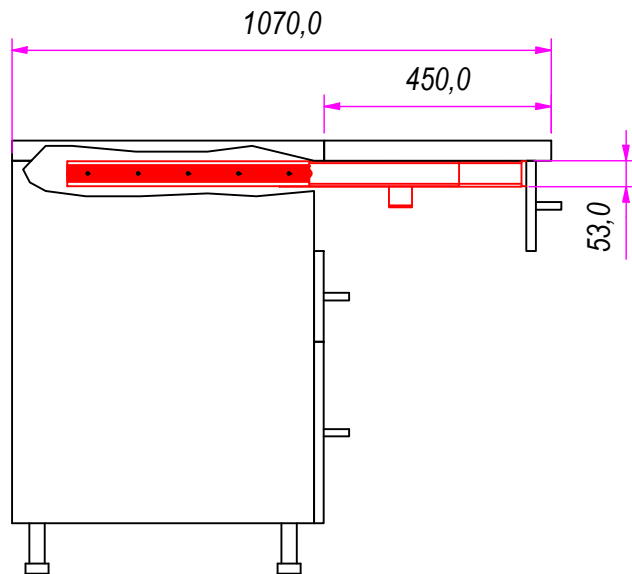
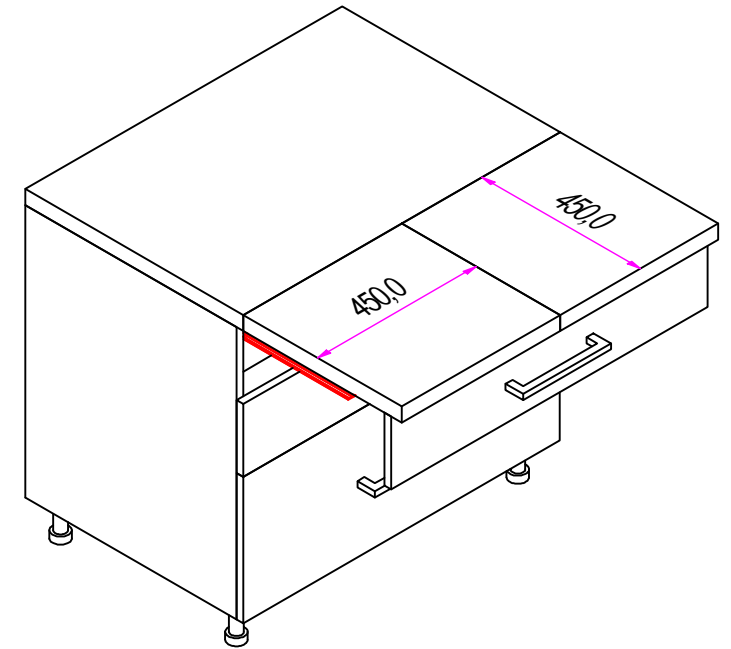
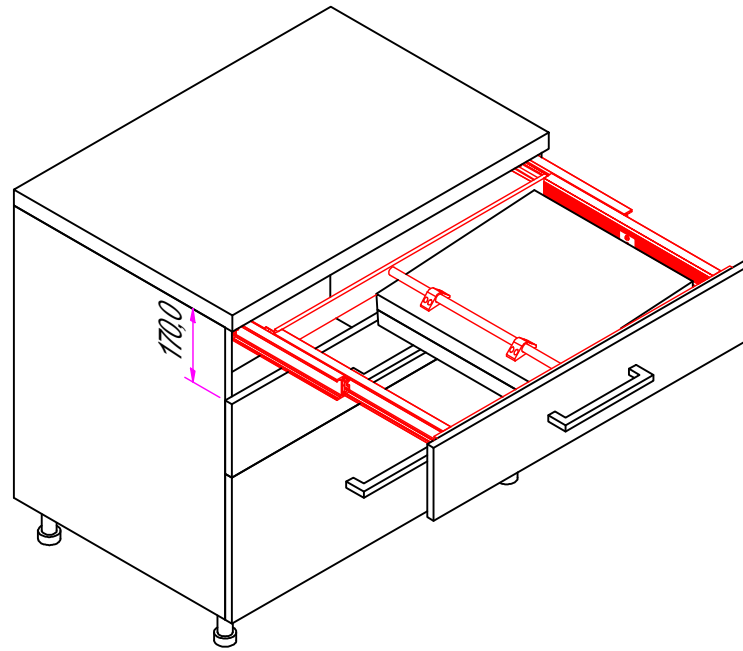
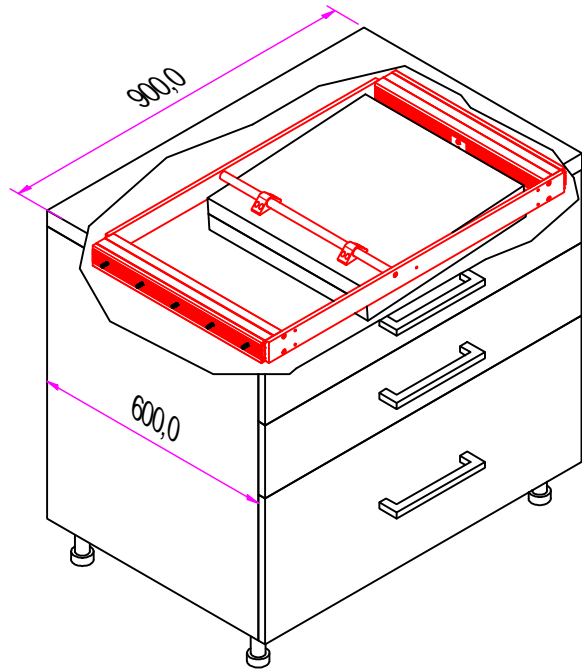
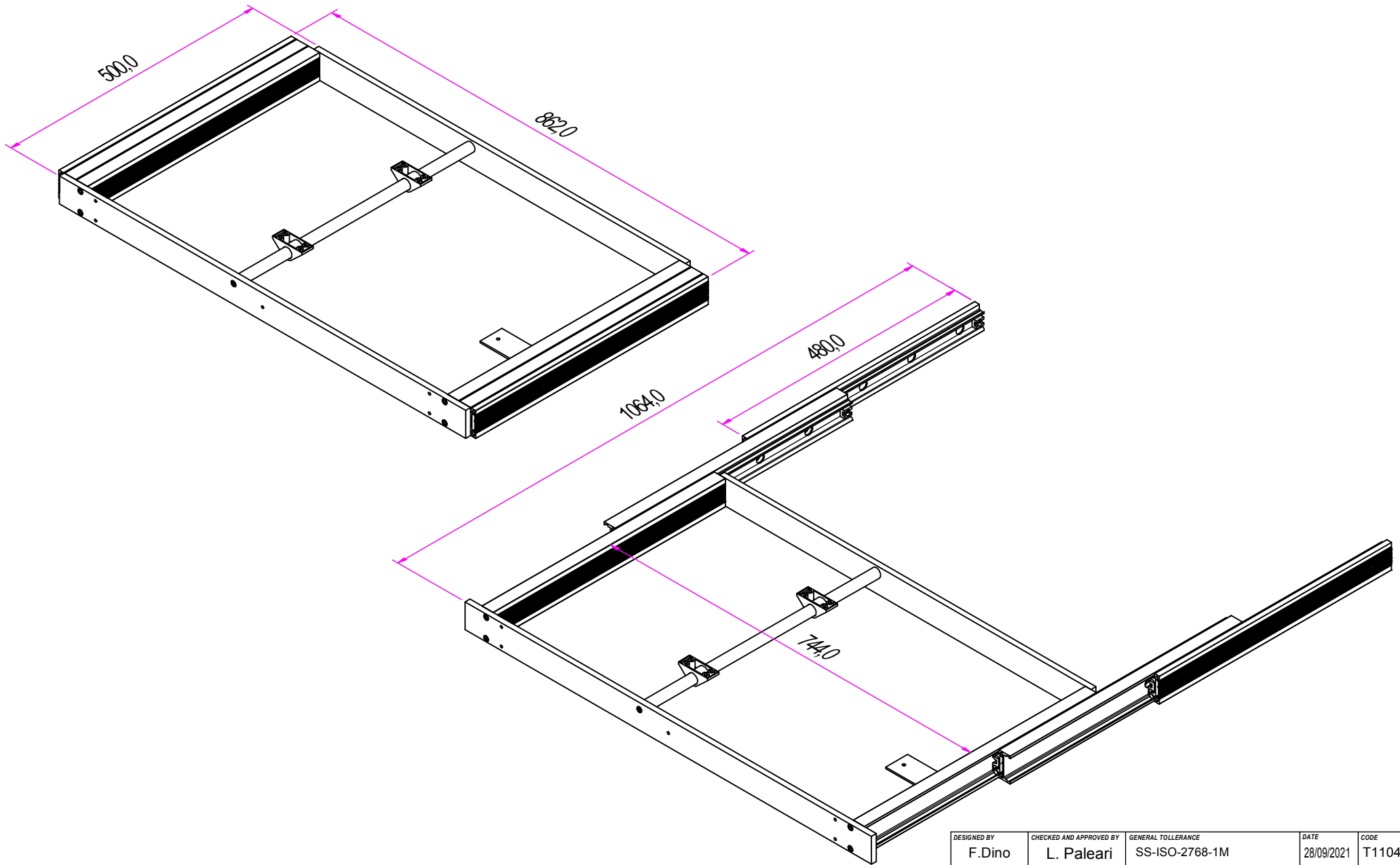


CABINET 900 mm EXTENSION 450 mm



DESIGNED BY F.Dino	CHECKED AND APPROVED BY L. Paleari	GENERAL TOLERANCE SS-ISO-2768-1M	DATE 28/09/2021	CODE T110450B
PACKAGING			UNIT mm	SHEET 1 of 7
DESCRIPTION		MATERIAL Aluminum		
DEVICE		PAIR WEIGHT		

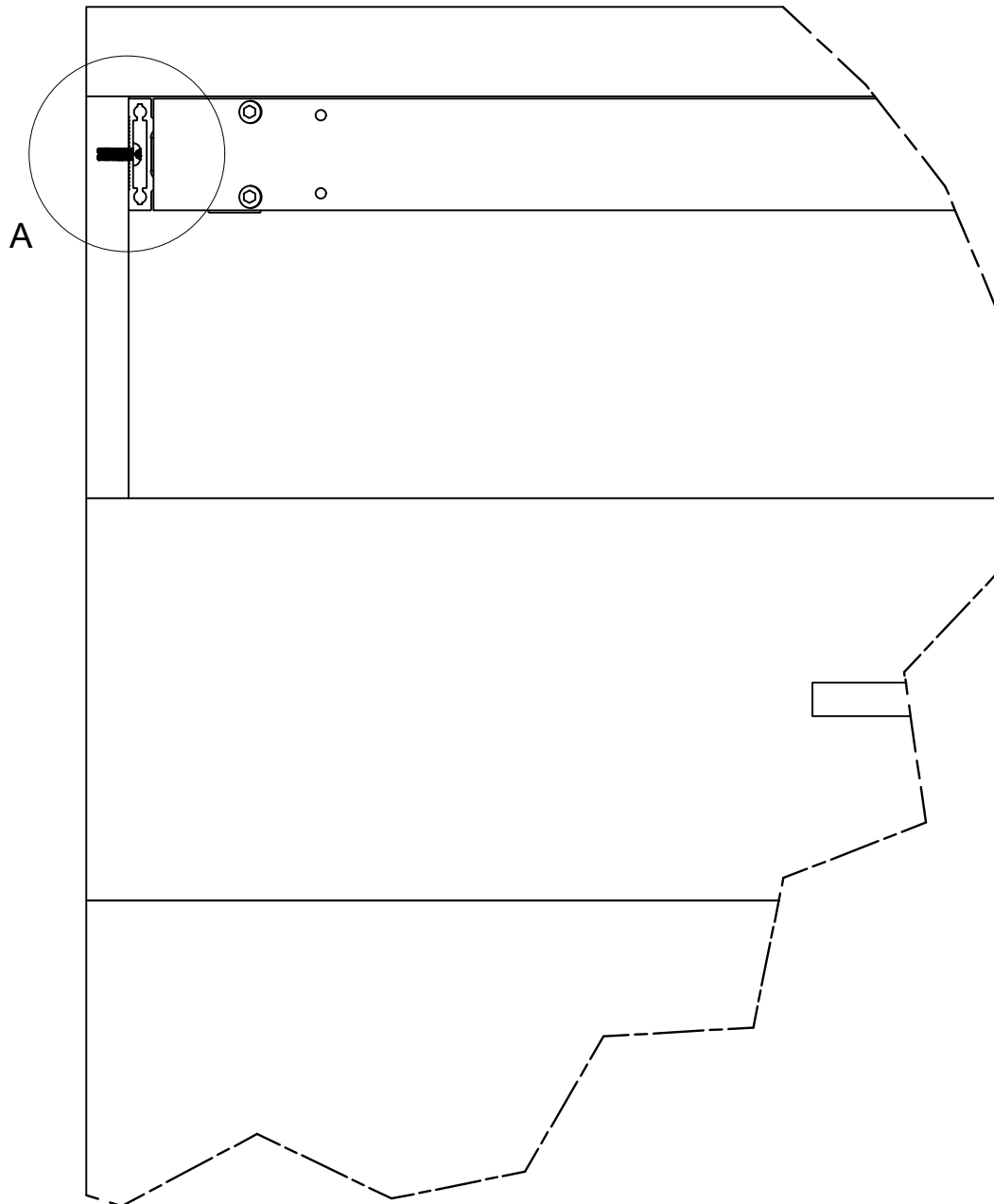
Property of RAM Industrie.
Without its written authorization the present drawing shall neither be used for construction anyway, communicated to third parties, nor reproduced.



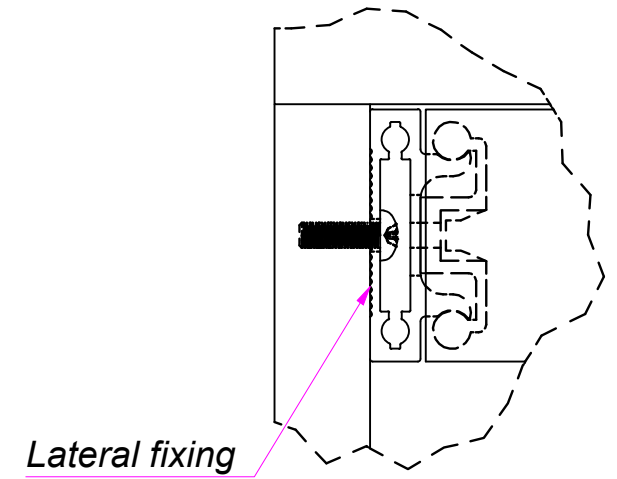
DESIGNED BY F.Dino	CHECKED AND APPROVED BY L. Paleari	GENERAL TOLERANCE SS-ISO-2768-1M	DATE 28/09/2021	CODE T110450B
PACKAGING			UNIT mm	SHEET 2 of 7
DESCRIPTION			MATERIAL Aluminum	
DEVICE			PAIR WEIGHT	

RAM
INDUSTRIE

Property of RAM Industrie.
Without its written authorization the present drawing shall neither be used for construction anyway, communicated to third parties, nor reproduced.



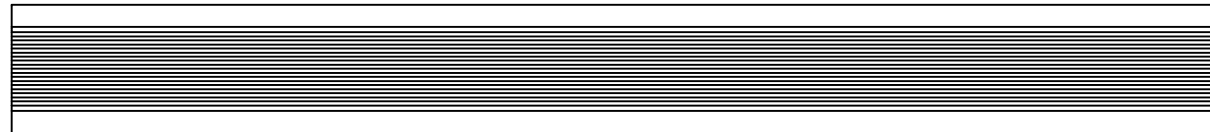
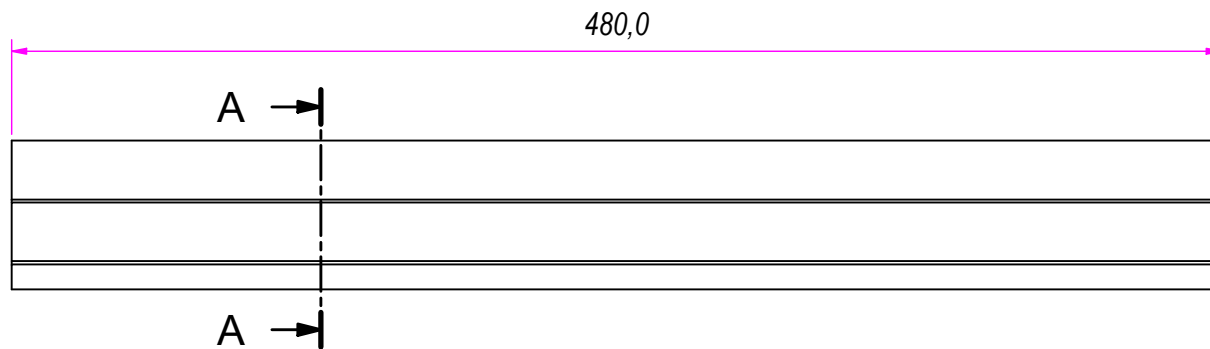
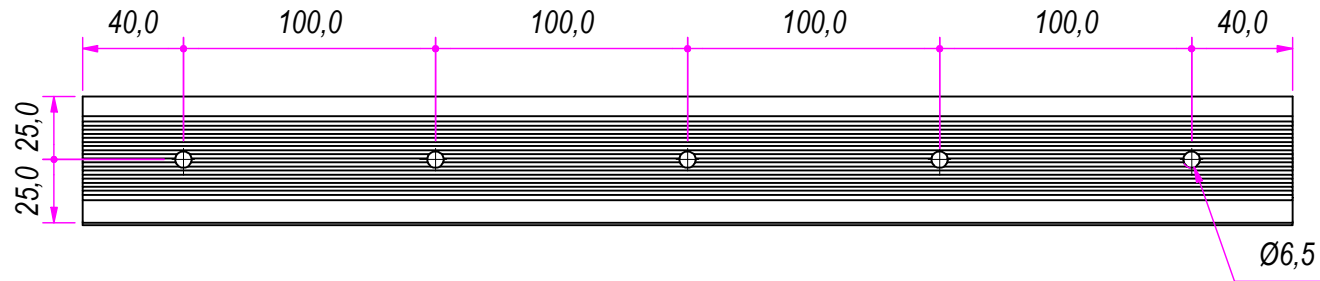
A (1:1.5)



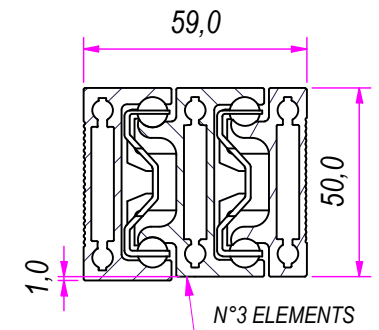
DESIGNED BY F.Dino	CHECKED AND APPROVED BY L. Paleari	GENERAL TOLERANCE SS-ISO-2768-1M	DATE 28/09/2021	CODE T110450B
PACKAGING			UNIT mm	SHEET 3 of 7
		DESCRIPTION	MATERIAL Aluminum	
		DEVICE	PAIR WEIGHT	

Property of RAM Industrie.
Without its written authorization the present drawing shall neither be used for construction anyway, communicated to third parties, nor reproduced.

A

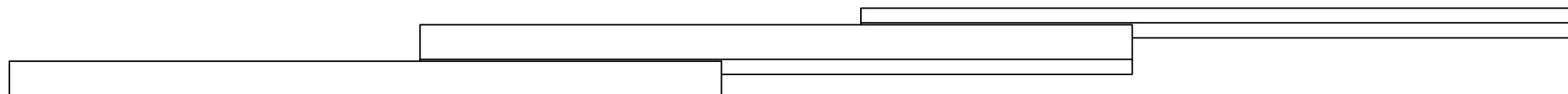
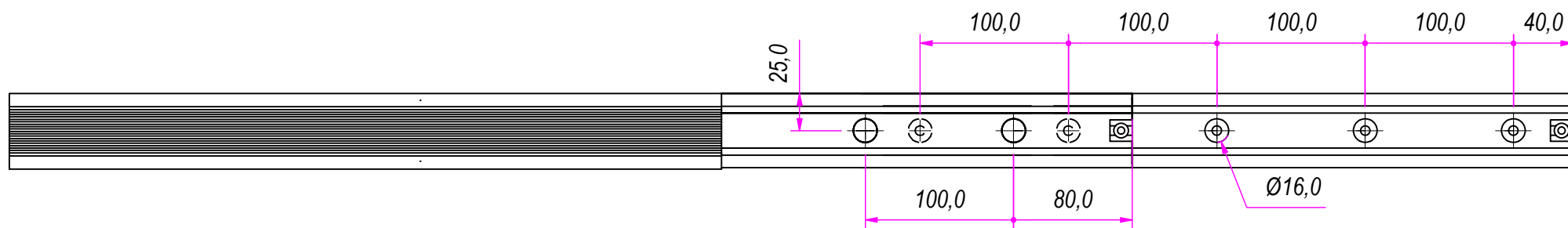
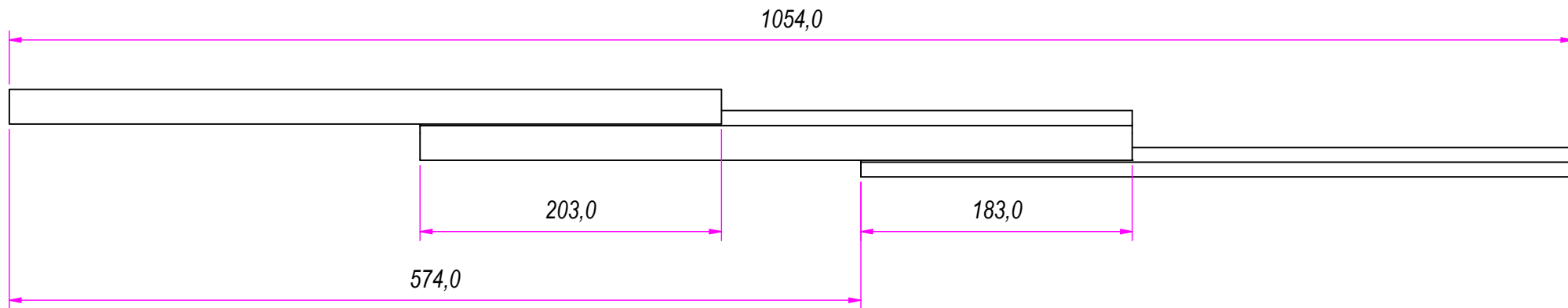


SEZ. A-A



DESIGNED BY F.Dino	CHECKED AND APPROVED BY L. Paleari	GENERAL TOLLERANCE SS-ISO-2768-1M	DATE 28/09/2021	CODE T1103480
RAM INDUSTRIE		PACKAGING	UNIT mm	SHEET 4 of 7
		DESCRIPTION	MATERIAL Aluminum	
		DEVICE	PAIR WEIGHT	

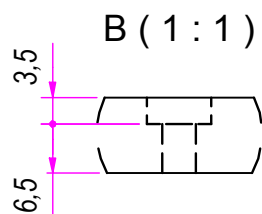
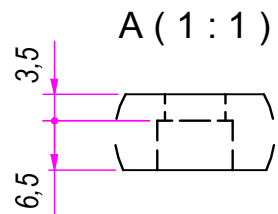
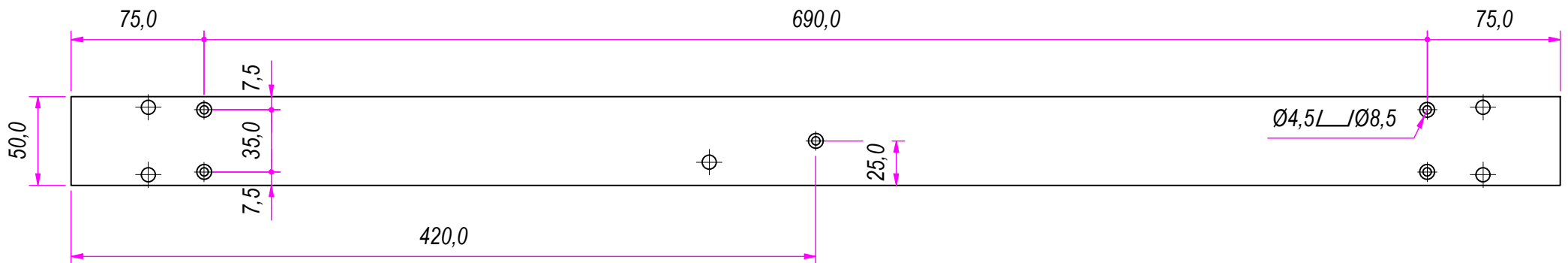
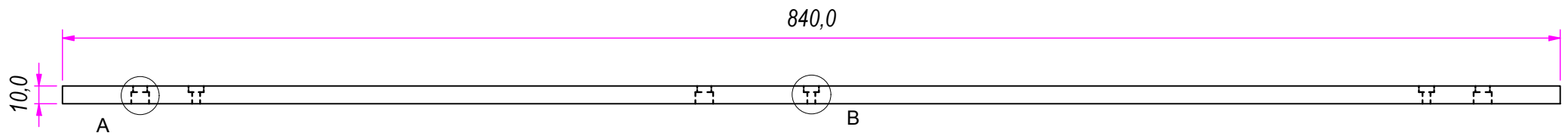
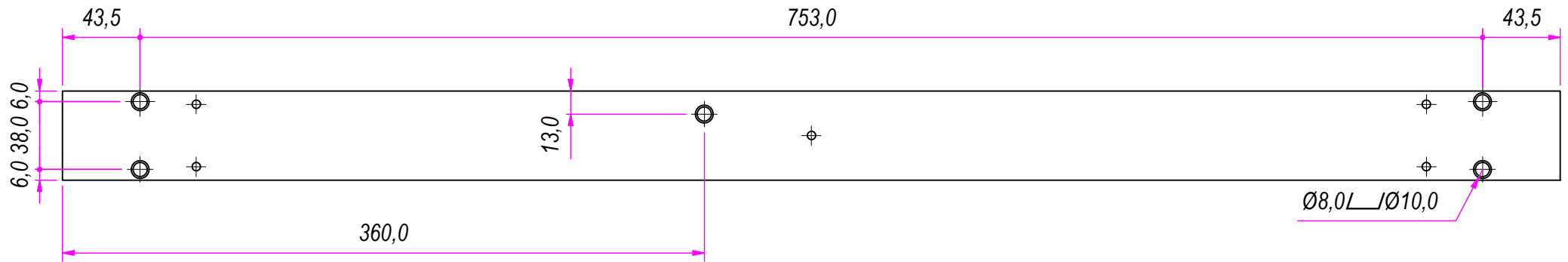
Property of RAM Industrie.
Without its written authorization the present drawing shall neither be used for construction anyway, communicated to third parties, nor reproduced.



DESIGNED BY F. Dino	CHECKED AND APPROVED BY L. Paleari	GENERAL TOLLERANCE SS-ISO-2768-1M	DATE 28/09/2021	CODE T1103480
			PACKAGING	UNIT mm
			DESCRIPTION	SHEET 5 of 7
MATERIAL Aluminum		DEVICE	PAIR WEIGHT	

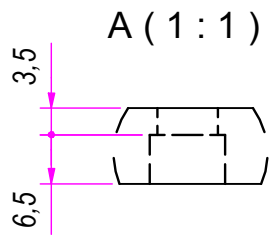
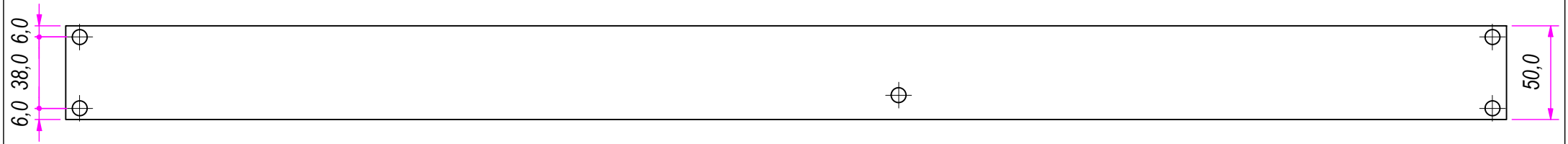
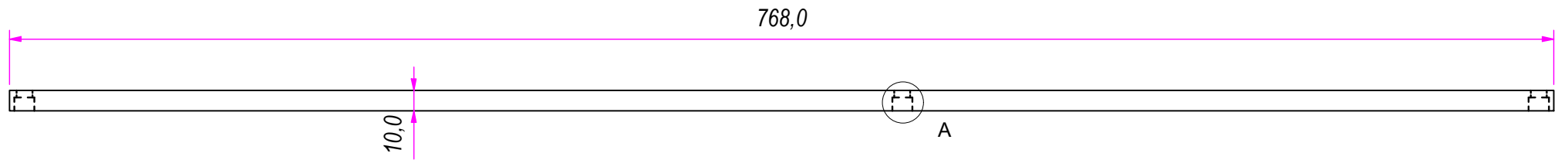
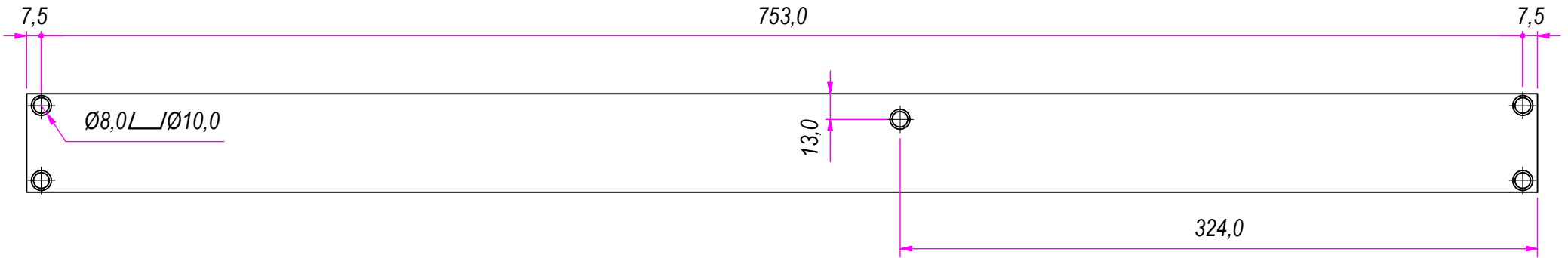
Property of RAM Industrie.
Without its written authorization the present drawing shall neither be used for construction anyway, communicated to third parties, nor reproduced.

B



DESIGNED BY F.Dino	CHECKED AND APPROVED BY L. Paleari	GENERAL TOLLERANCE SS-ISO-2768-1M	DATE 28/09/2021	CODE X.PIAS-ALL-840
PACKAGING			UNIT mm	SHEET 6 of 7
DESCRIPTION RAM INDUSTRIE		MATERIAL Aluminum		
DEVICE		PAIR WEIGHT		

Property of RAM Industrie.
Without its written authorization the present drawing shall neither be used for construction anyway, communicated to third parties, nor reproduced.



DESIGNED BY F.Dino	CHECKED AND APPROVED BY L. Paleari	GENERAL TOLERANCE SS-ISO-2768-1M	DATE 28/09/2021	CODE X.PIAS-ALL-768
PACKAGING			UNIT mm	SHEET 7 of 7
DESCRIPTION		MATERIAL Aluminum		
DEVICE		PAIR WEIGHT		

Property of RAM Industrie.
Without its written authorization the present drawing shall neither be used for construction anyway, communicated to third parties, nor reproduced.