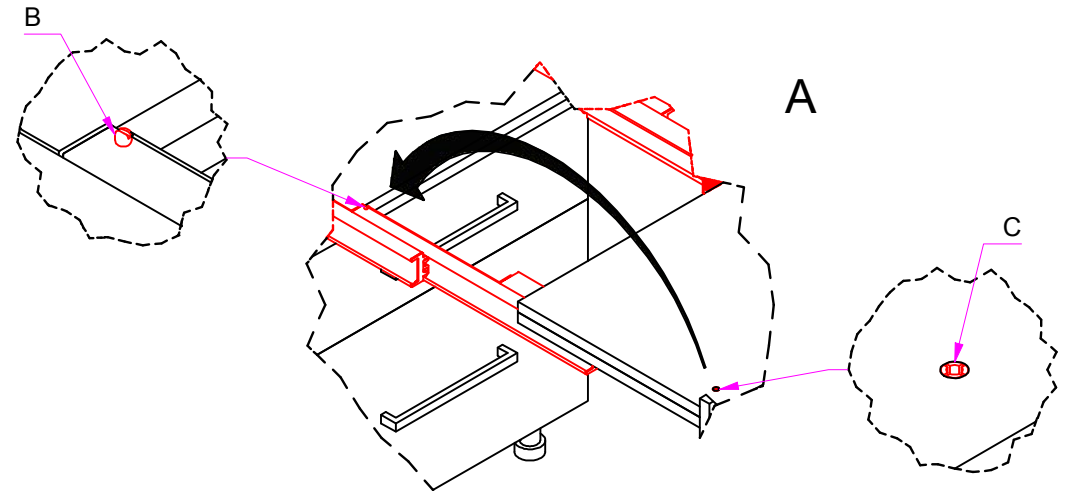
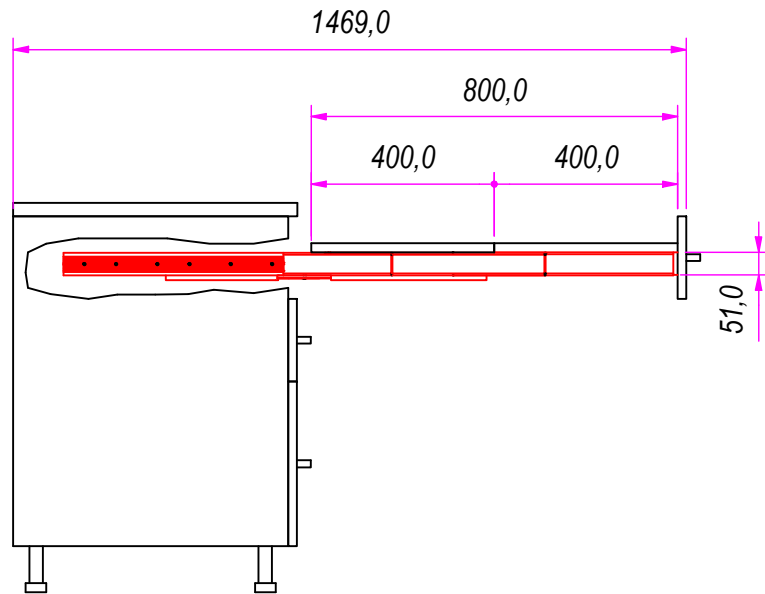
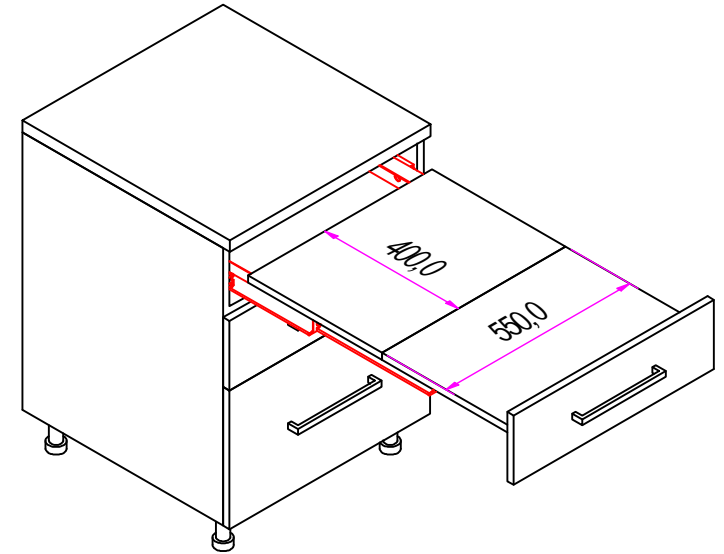
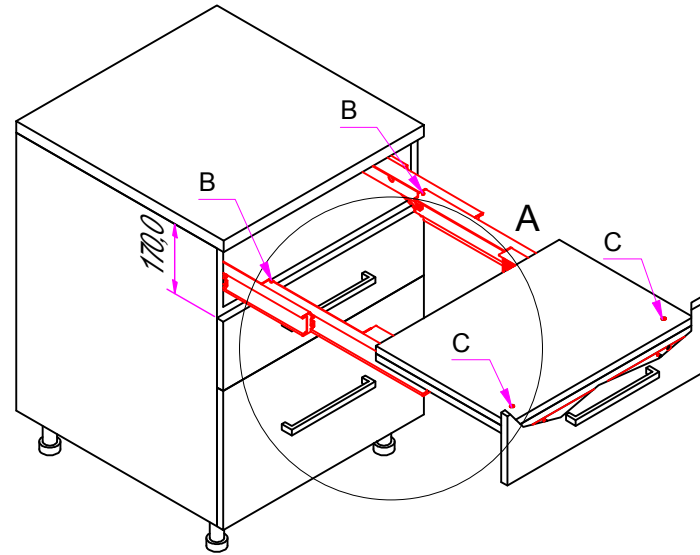
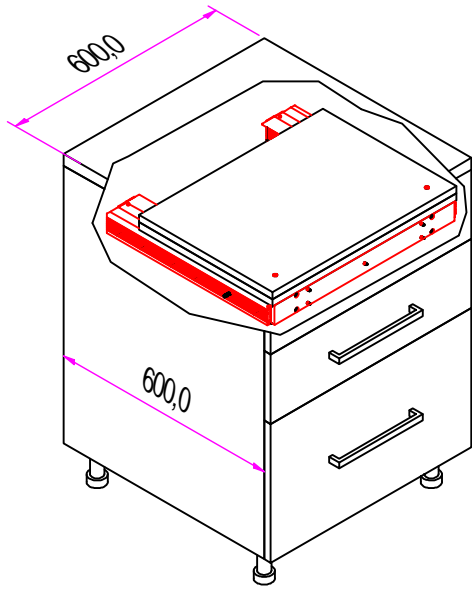
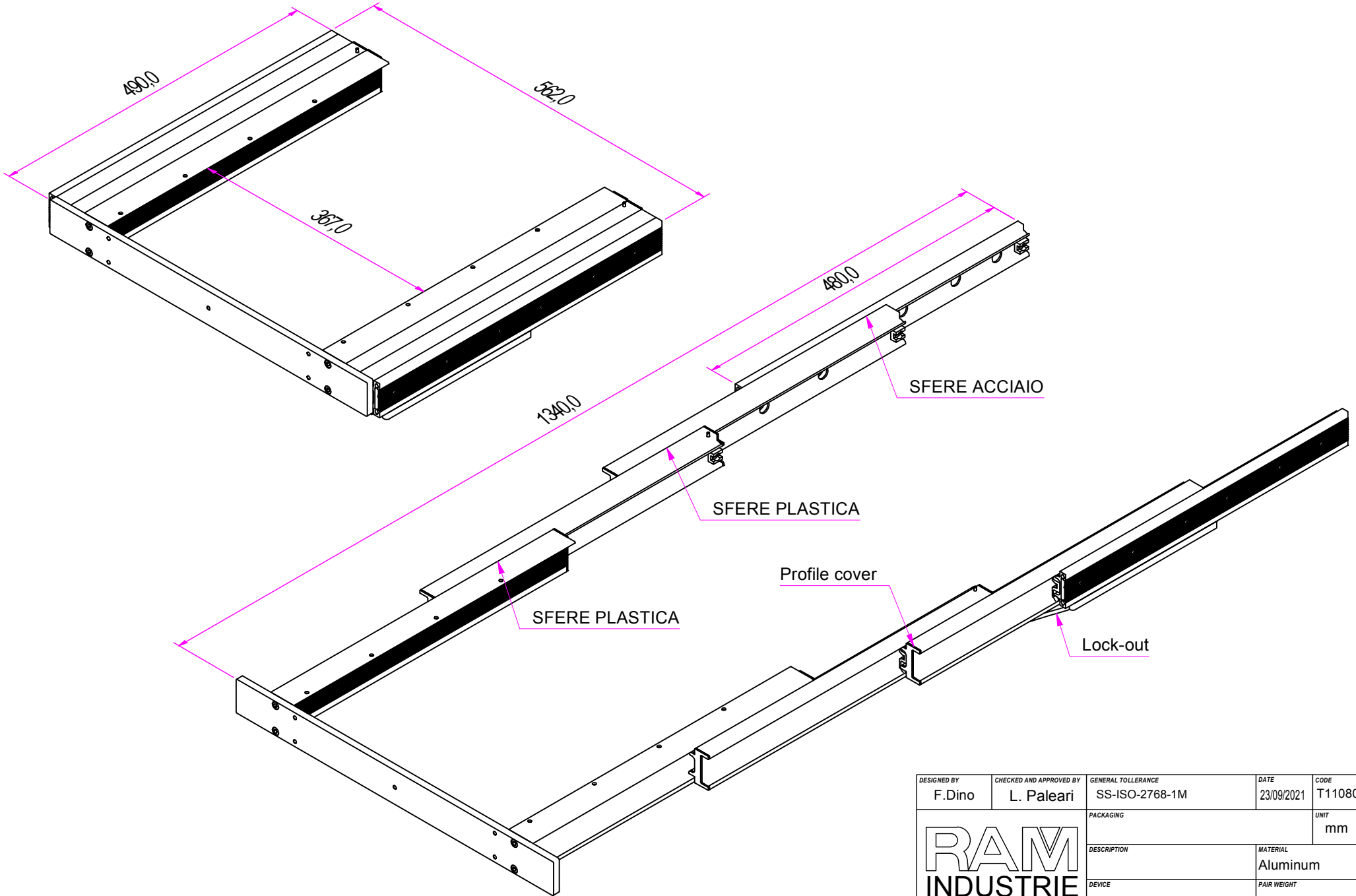


# CABINET 600 mm EXTENSION 800 mm



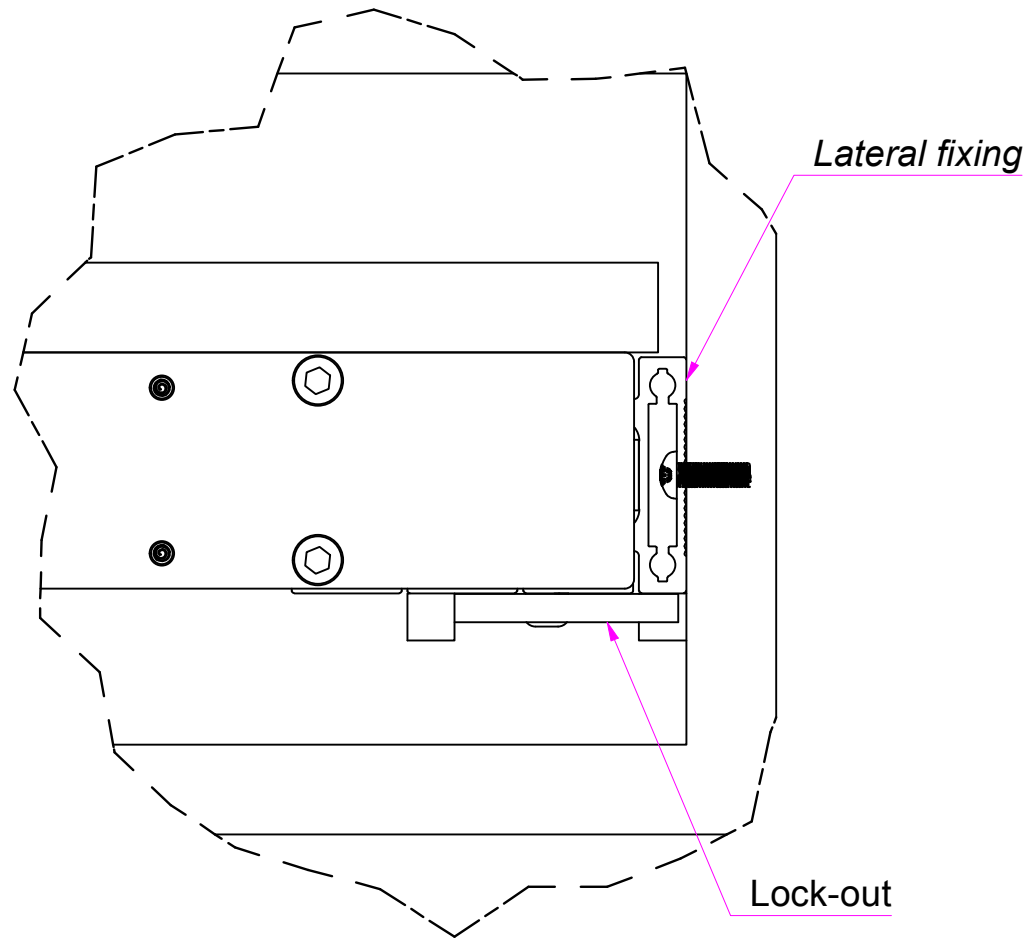
DESIGNED BY F. Dino	CHECKED AND APPROVED BY L. Paleari	GENERAL TOLLERANCE SS-ISO-2768-1M	DATE 23/09/2021	CODE T110800A
PACKAGING			UNIT mm	SHEET 1 of 7
			MATERIAL Aluminum	
			PAIR WEIGHT	

Property of RAM Industrie.  
Without its written authorization the present drawing shall neither be used for construction anyway, communicated to third parties, nor reproduced.

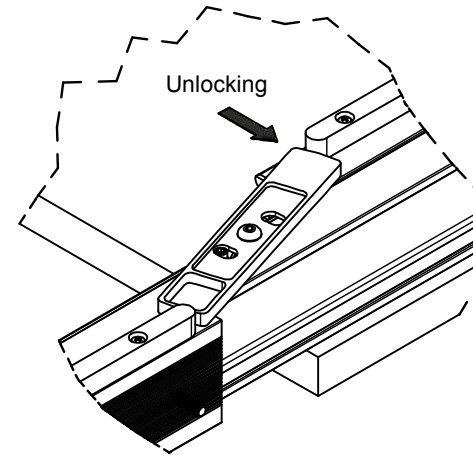


DESIGNED BY F. Dino	CHECKED AND APPROVED BY L. Paleari	GENERAL TOLERANCE SS-ISO-2768-1M	DATE 23/09/2021	CODE T110800A
			PACKAGING	UNIT mm
			DESCRIPTION	SHEET 2 of 7
MATERIAL Aluminum		PAIR WEIGHT		

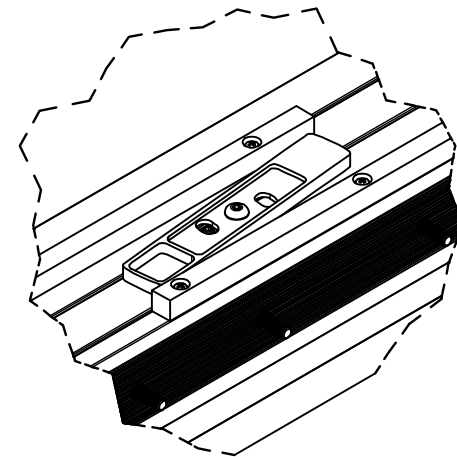
Property of RAM Industrie.  
Without its written authorization the present drawing shall neither be used for construction anyway, communicated to third parties, nor reproduced.




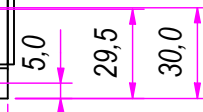
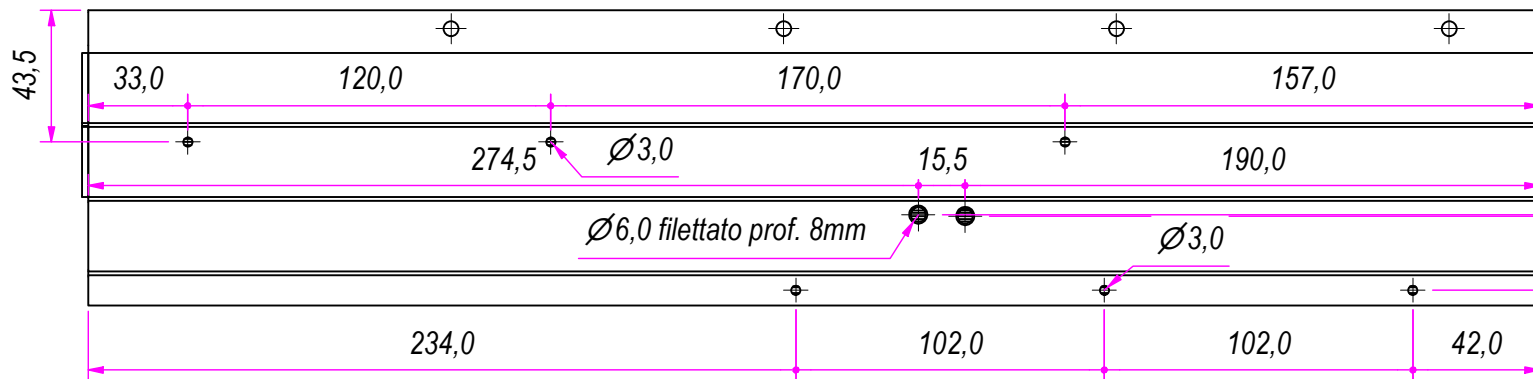
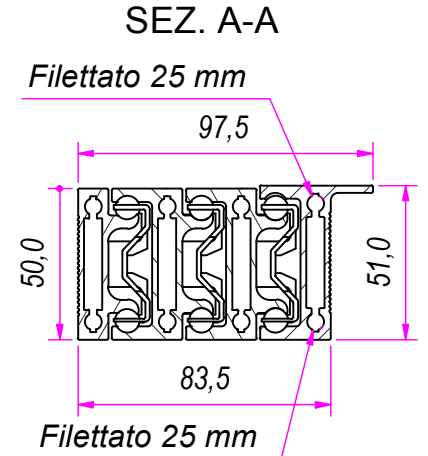
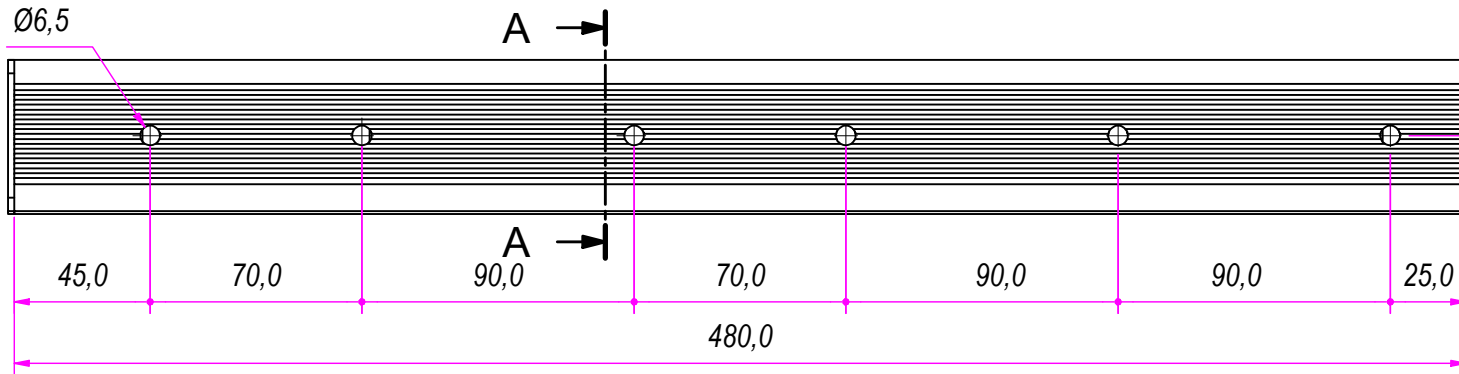
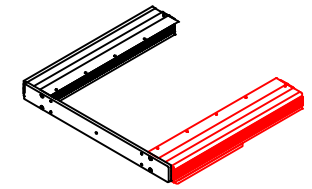
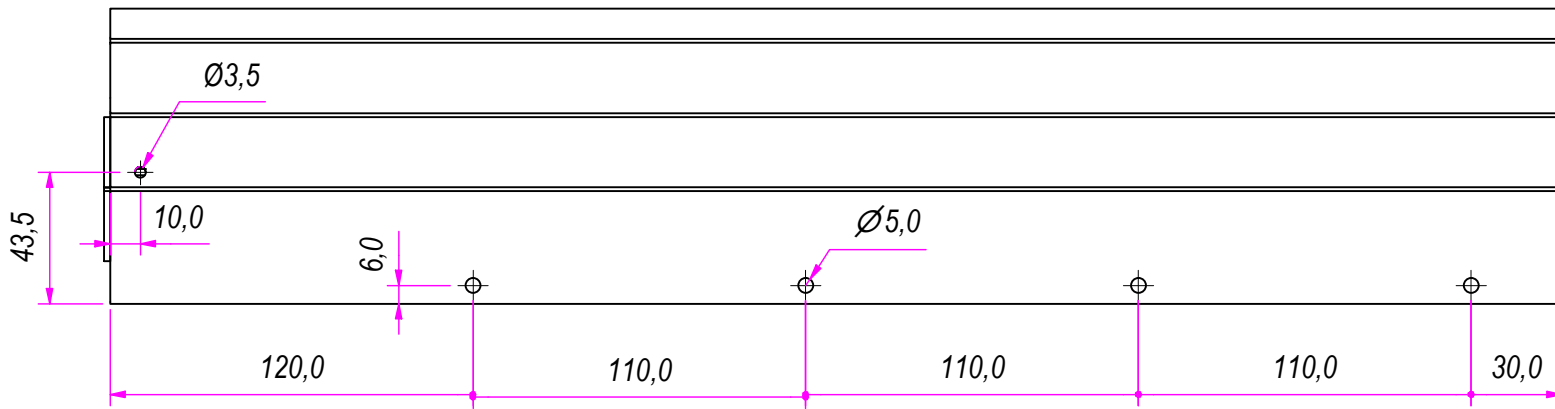
## Lock-out open



## Lock-out closed

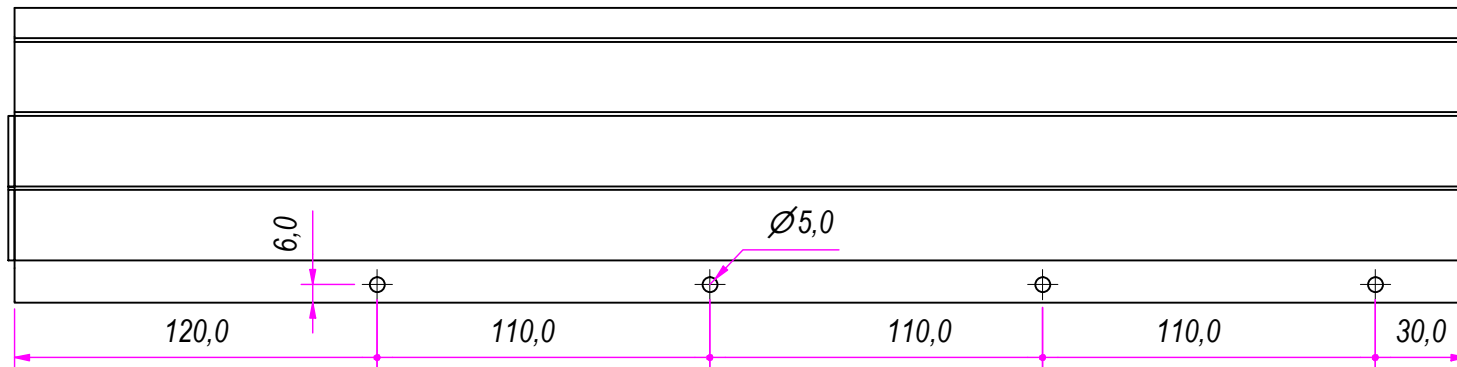
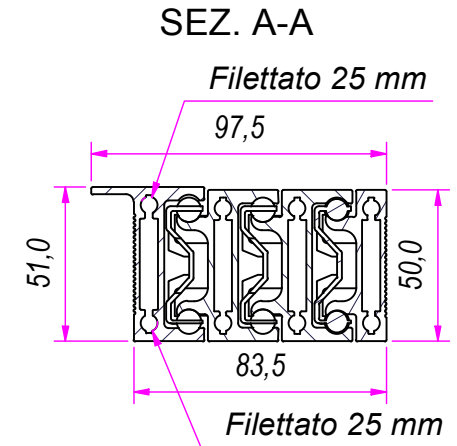
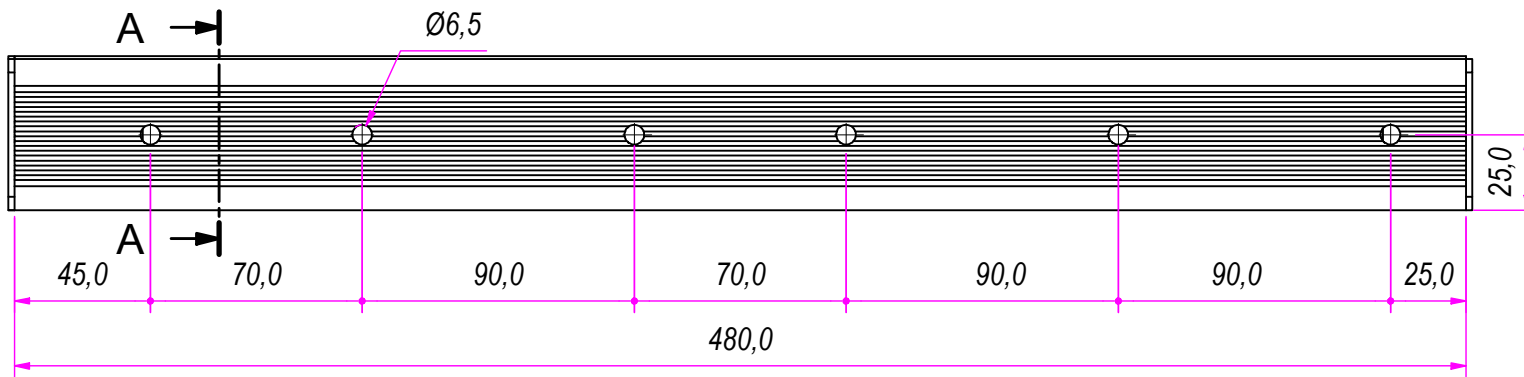
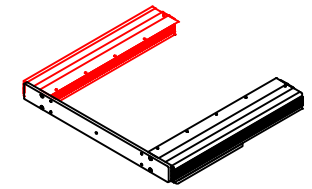
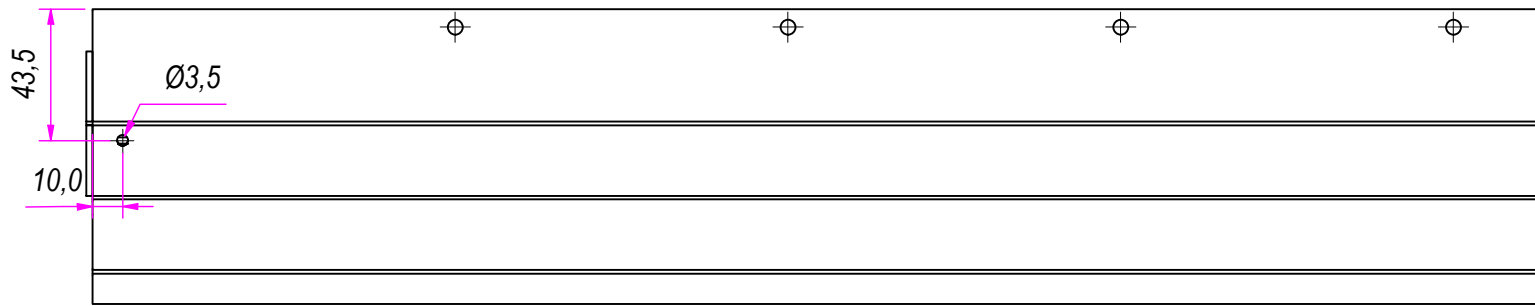


DESIGNED BY F.Dino	CHECKED AND APPROVED BY L. Paleari	GENERAL TOLLERANCE SS-ISO-2768-1M	DATE 23/09/2021	CODE T110800A
	PACKAGING		UNIT mm	SHEET 3 of 7
	DESCRIPTION		MATERIAL Aluminum	
	DEVICE		PAIR WEIGHT	



DESIGNED BY F. Dino	CHECKED AND APPROVED BY L. Paleari	GENERAL TOLERANCE SS-ISO-2768-1M	DATE 23/09/2021	CODE T1104480
			PACKAGING	UNIT mm
			DESCRIPTION	SHEET 4 of 7
MATERIAL Aluminum		PAIR WEIGHT		

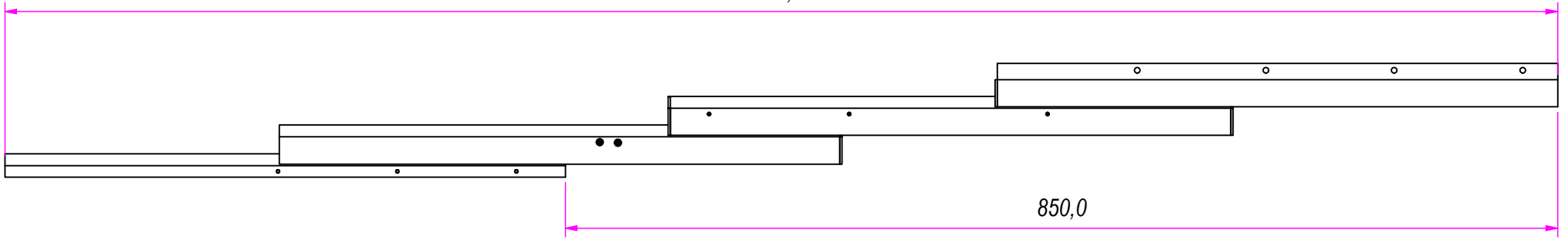
Property of RAM Industrie.  
Without its written authorization the present drawing shall neither be used for construction anyway, communicated to third parties, nor reproduced.



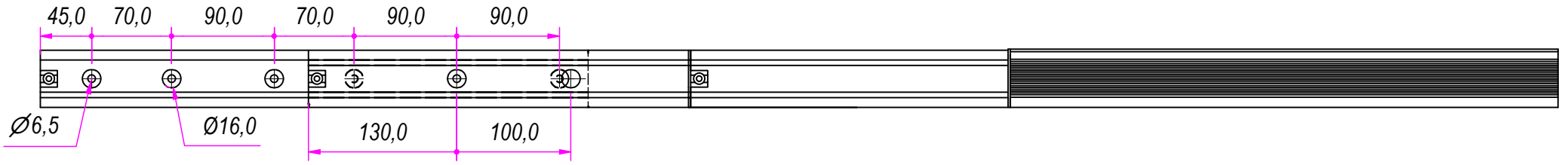
DESIGNED BY F.Dino	CHECKED AND APPROVED BY L. Paleari	GENERAL TOLERANCE SS-ISO-2768-1M	DATE 23/09/2021	CODE T1104480
PACKAGING			UNIT mm	SHEET 5 of 7
DESCRIPTION		MATERIAL Aluminum		
DEVICE		PAIR WEIGHT		

**RAM**  
**INDUSTRIE**

1330,0



850,0

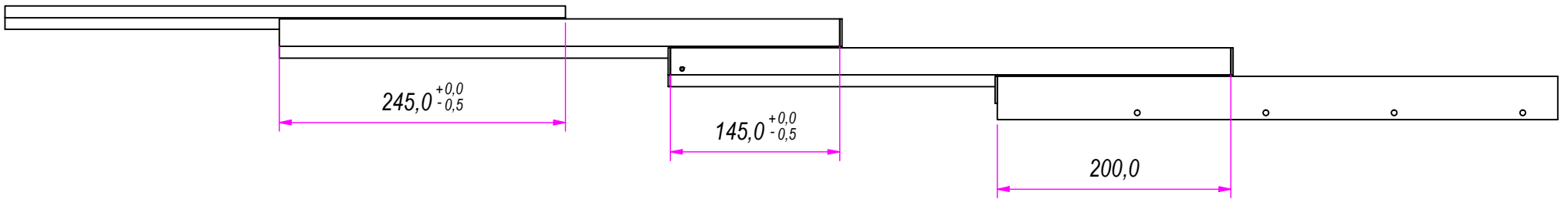


Ø6,5

Ø16,0

130,0

100,0



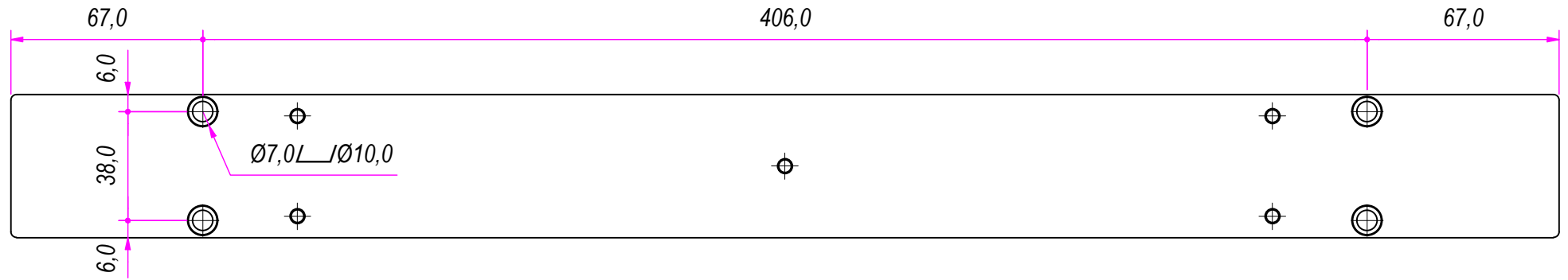
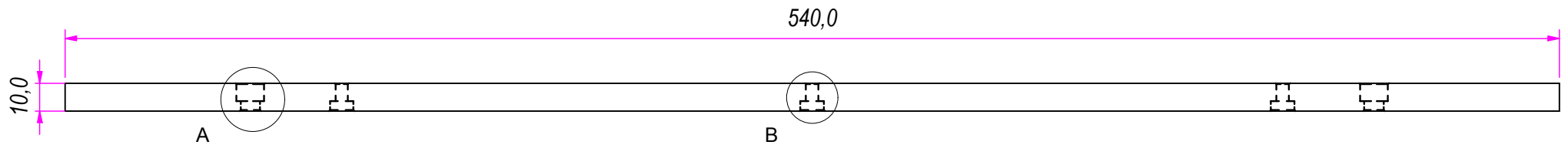
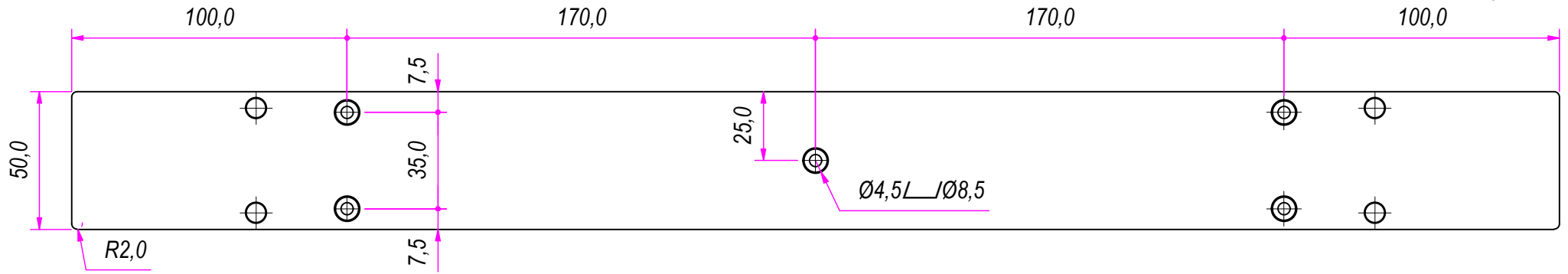
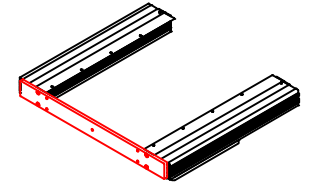
245,0<sup>+0,0</sup><sub>-0,5</sub>

145,0<sup>+0,0</sup><sub>-0,5</sub>

200,0

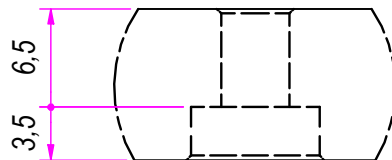
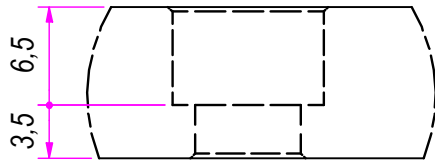
DESIGNED BY F.Dino	CHECKED AND APPROVED BY L. Paleari	GENERAL TOLERANCE SS-ISO-2768-1M	DATE 23/09/2021	CODE T1104480
			PACKAGING	UNIT mm
			DESCRIPTION	SHEET 6 of 7
DEVICE		MATERIAL Aluminum		
		PAIR WEIGHT		

Property of RAM Industrie.  
Without its written authorization the present drawing shall neither be used for construction anyway, communicated to third parties, nor reproduced.



A (1 : 0.5)

B (1 : 0.5)



DESIGNED BY F.Dino	CHECKED AND APPROVED BY L. Paleari	GENERAL TOLERANCE SS-ISO-2768-1M	DATE 23/09/2021	CODE X.PIAS-ALL-540B
PACKAGING			UNIT mm	SHEET 7 of 7
DESCRIPTION		MATERIAL		
DEVICE		PAIR WEIGHT		

Property of RAM Industrie.  
Without its written authorization the present drawing shall neither be used for construction anyway, communicated to third parties, nor reproduced.