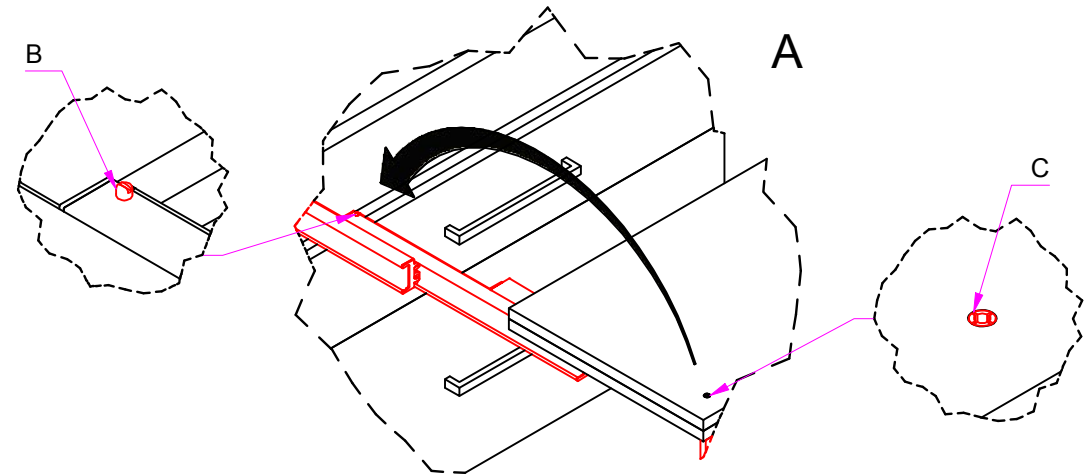
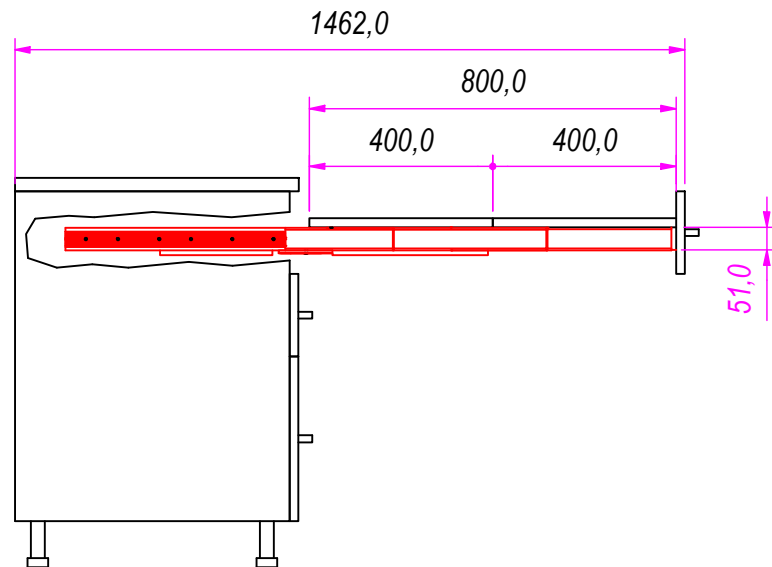
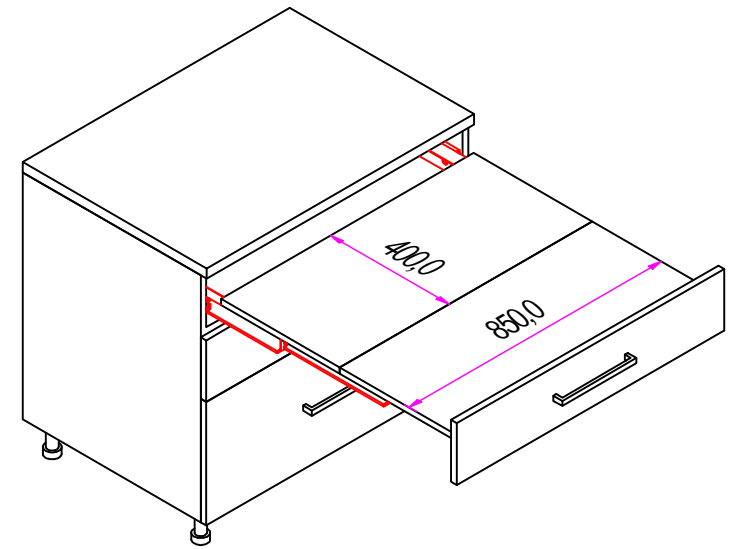
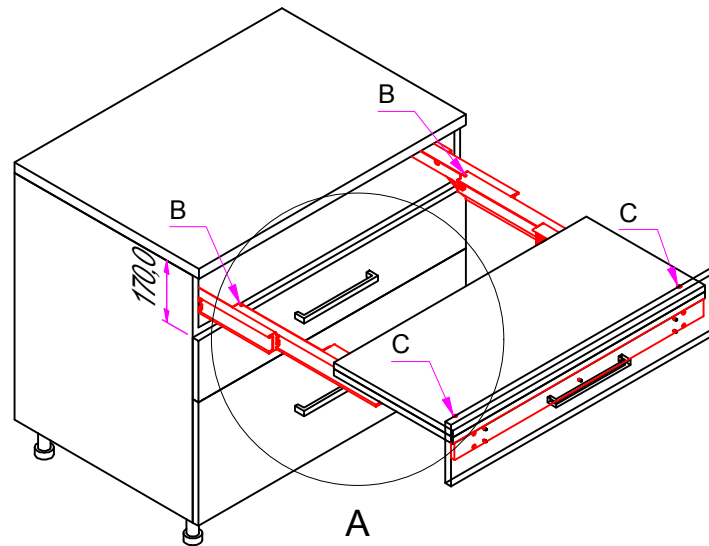
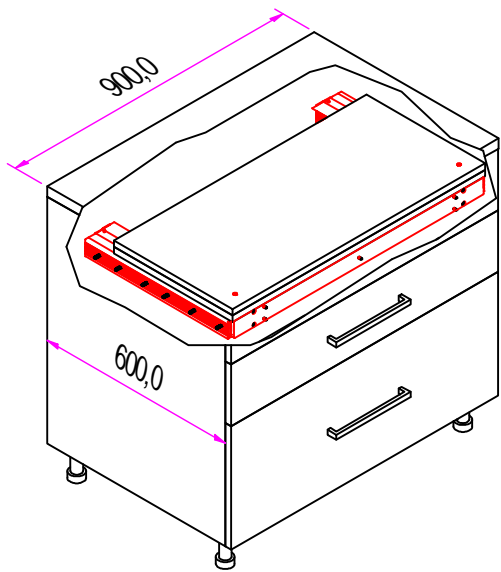
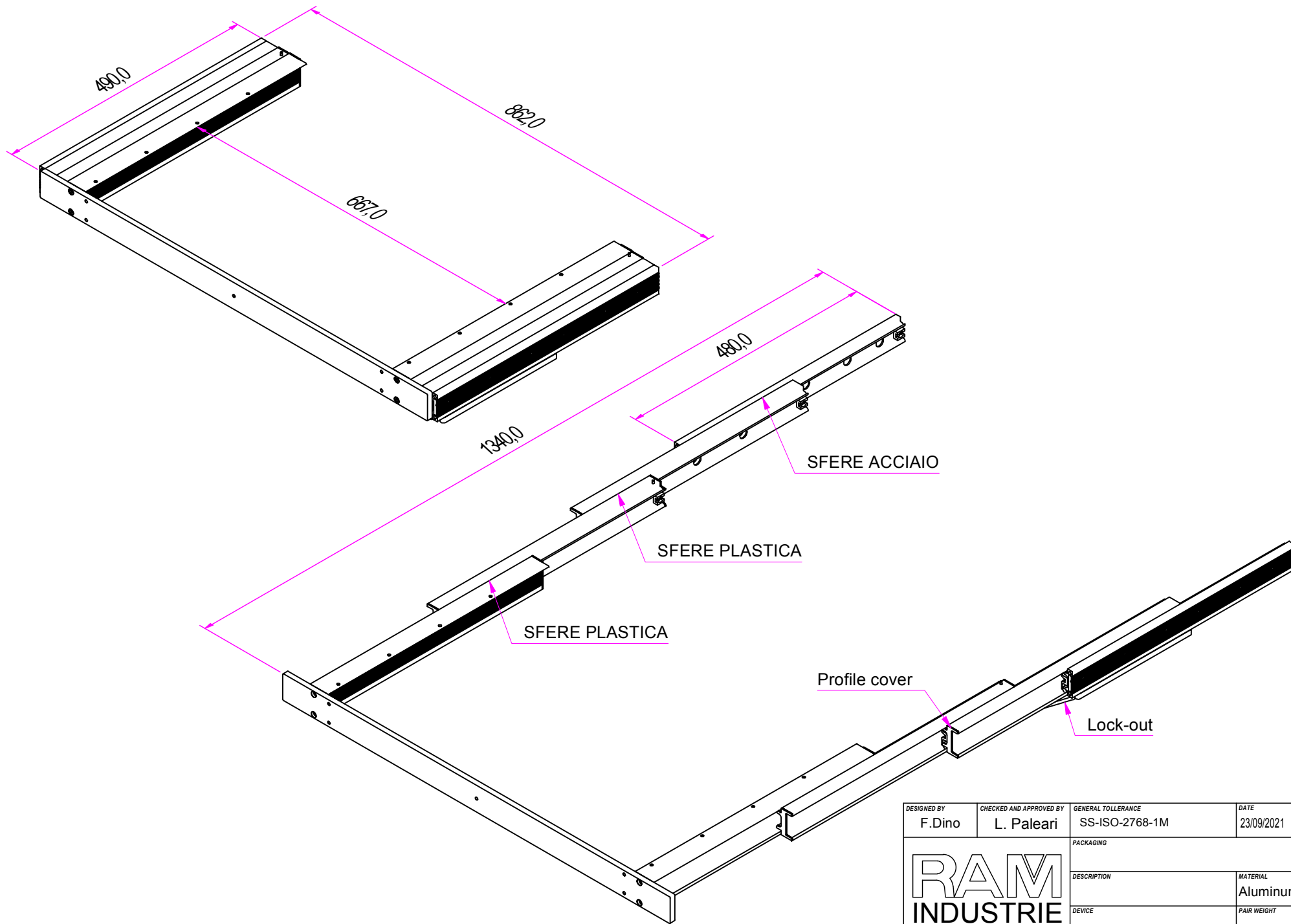



CABINET 900 mm EXTENSION 800 mm



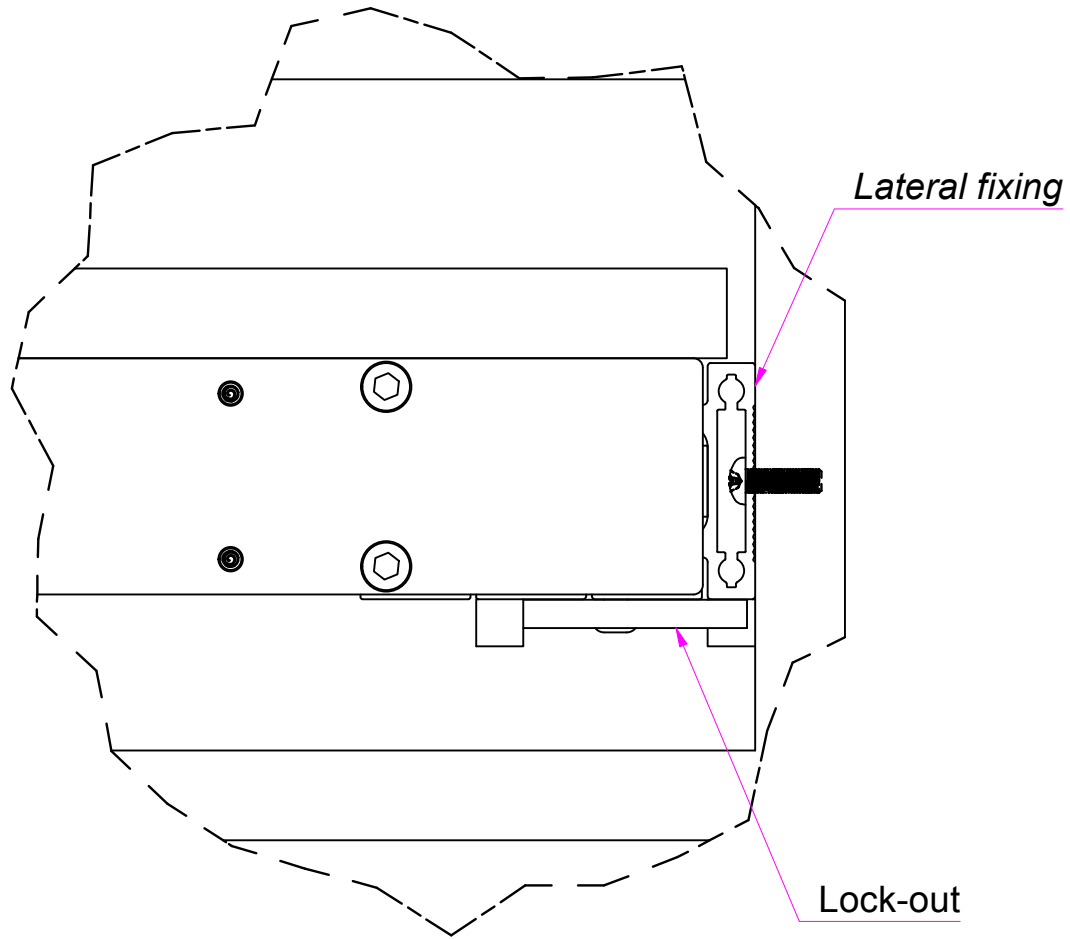
DESIGNED BY F. Dino	CHECKED AND APPROVED BY L. Paleari	GENERAL TOLERANCE SS-ISO-2768-1M	DATE 23/09/2021	CODE T110800B
PACKAGING			UNIT mm	SHEET 1 of 7
		MATERIAL Aluminum		
DESCRIPTION		PAIR WEIGHT		
DEVICE				

Property of RAM Industrie.
Without its written authorization the present drawing shall neither be used for construction anyway, communicated to third parties, nor reproduced.

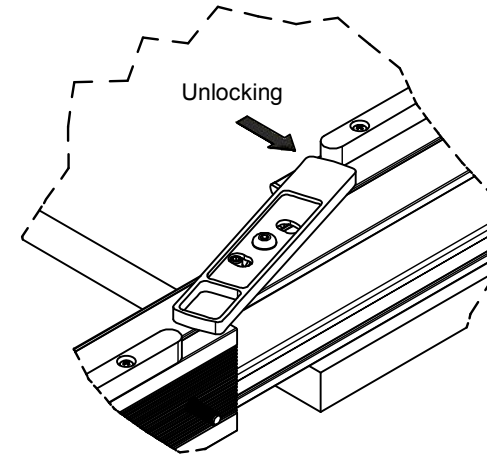


DESIGNED BY F. Dino	CHECKED AND APPROVED BY L. Paleari	GENERAL TOLERANCE SS-ISO-2768-1M	DATE 23/09/2021	CODE T110800B
			PACKAGING	UNIT mm
			DESCRIPTION	SHEET 2 of 7
MATERIAL Aluminum		DEVICE	PAIR WEIGHT	

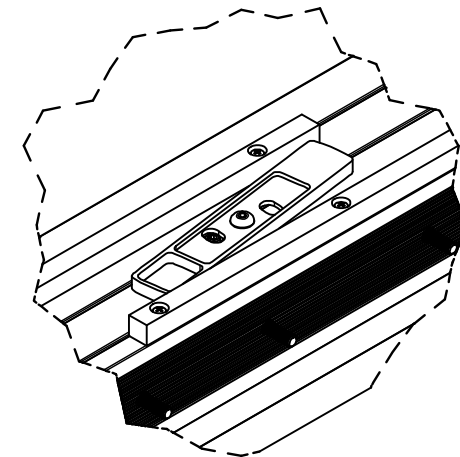
Property of RAM Industrie.
Without its written authorization the present drawing shall neither be used for construction anyway, communicated to third parties, nor reproduced.




Lock-out open

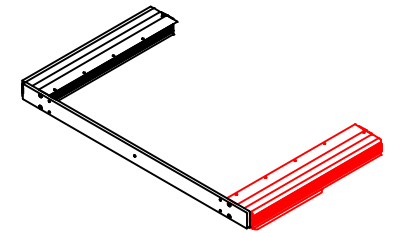
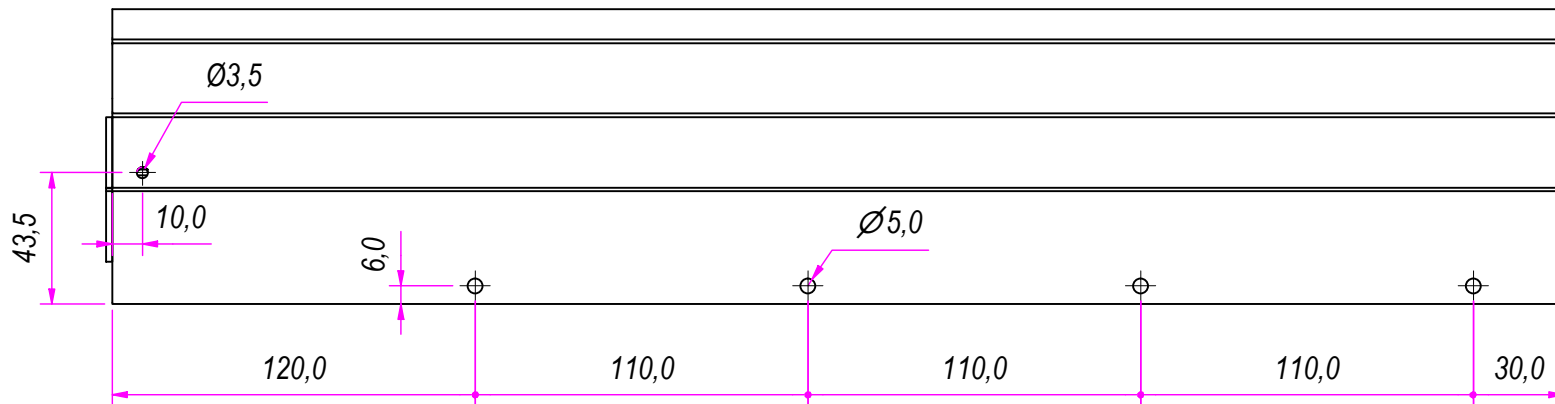


Lock-out closed



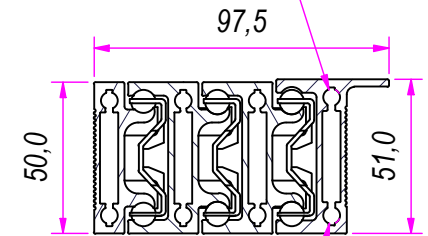
DESIGNED BY F.Dino	CHECKED AND APPROVED BY L. Paleari	GENERAL TOLERANCE SS-ISO-2768-1M	DATE 23/09/2021	CODE T110800B	
			PACKAGING	UNIT mm	SHEET 3 of 7
			DESCRIPTION	MATERIAL Aluminum	
DEVICE			PAIR WEIGHT		

Property of RAM Industrie.
Without its written authorization the present drawing shall neither be used for construction anyway, communicated to third parties, nor reproduced.

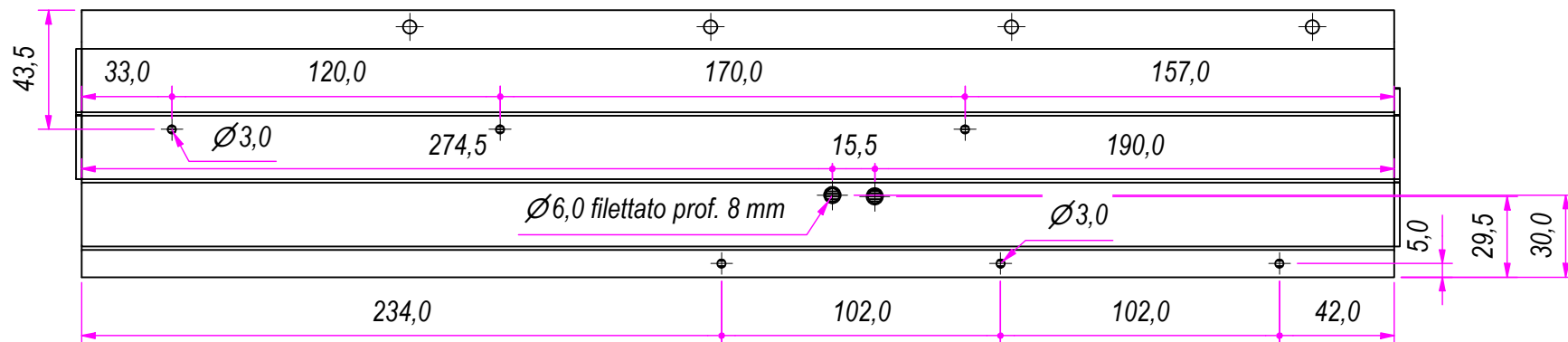
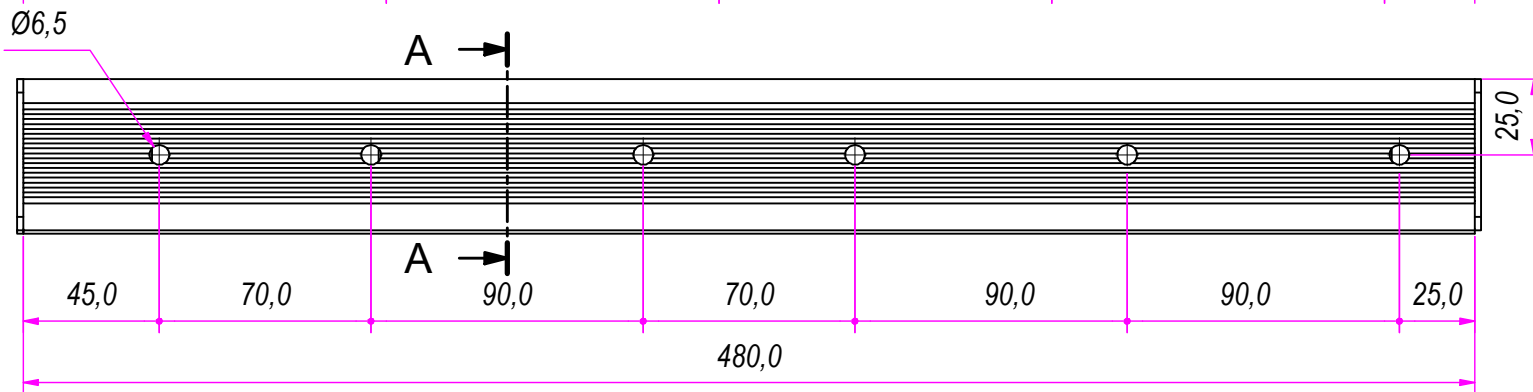


SEZ. A-A

Filettato 25 mm

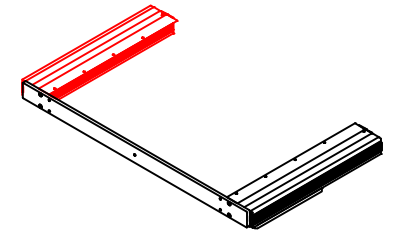


Filettato 25 mm



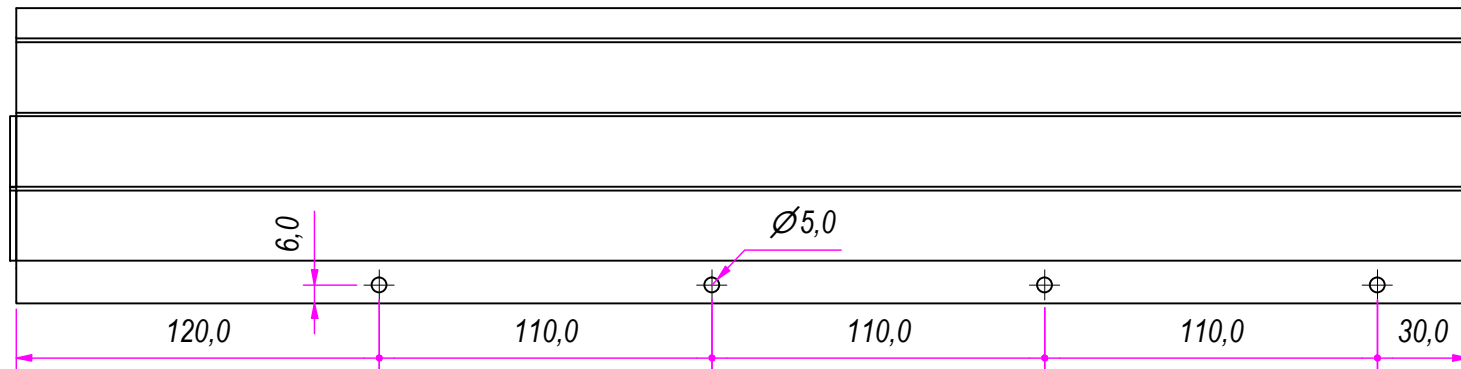
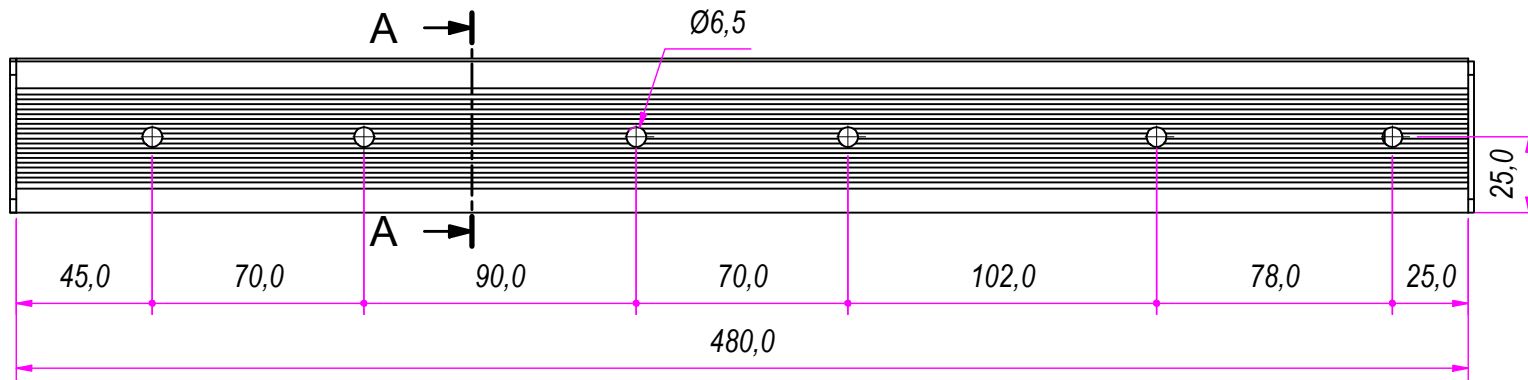
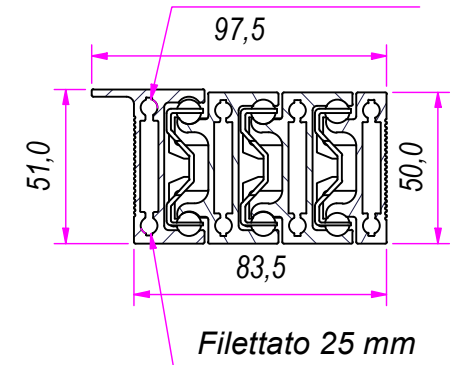
DESIGNED BY F. Dino	CHECKED AND APPROVED BY L. Paleari	GENERAL TOLERANCE SS-ISO-2768-1M	DATE 23/09/2021	CODE T1104480
PACKAGING			UNIT mm	SHEET 4 of 7
DESCRIPTION			MATERIAL Aluminum	
DEVICE			PAIR WEIGHT	

RAM
INDUSTRIE



SEZ. A-A

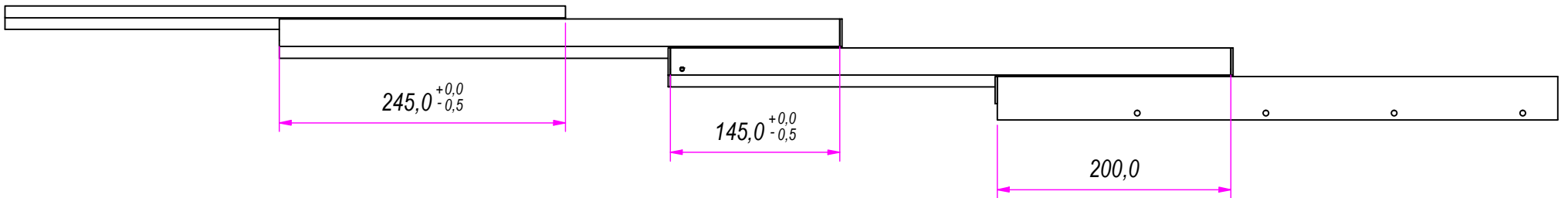
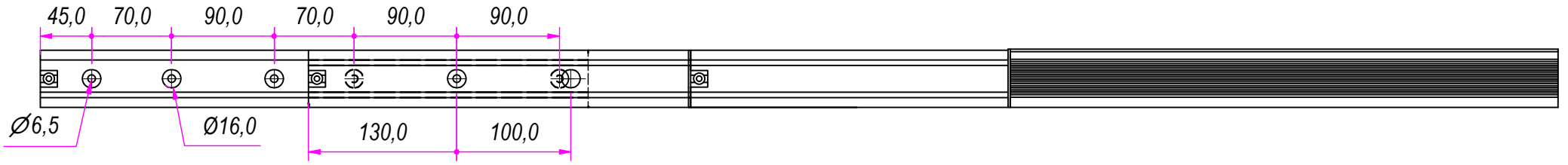
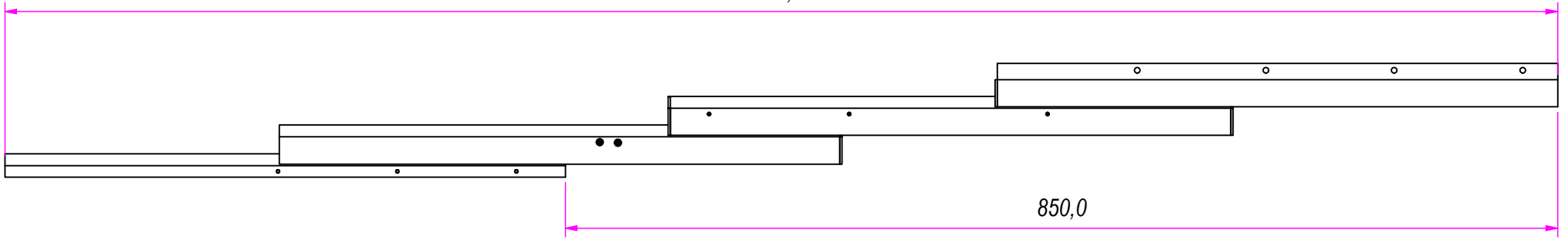
Filettato 25 mm



DESIGNED BY F.Dino	CHECKED AND APPROVED BY L. Paleari	GENERAL TOLERANCE SS-ISO-2768-1M	DATE 23/09/2021	CODE T1104480
			PACKAGING	UNIT mm
			DESCRIPTION	SHEET 5 of 7
DEVICE		MATERIAL Aluminum		
		PAIR WEIGHT		

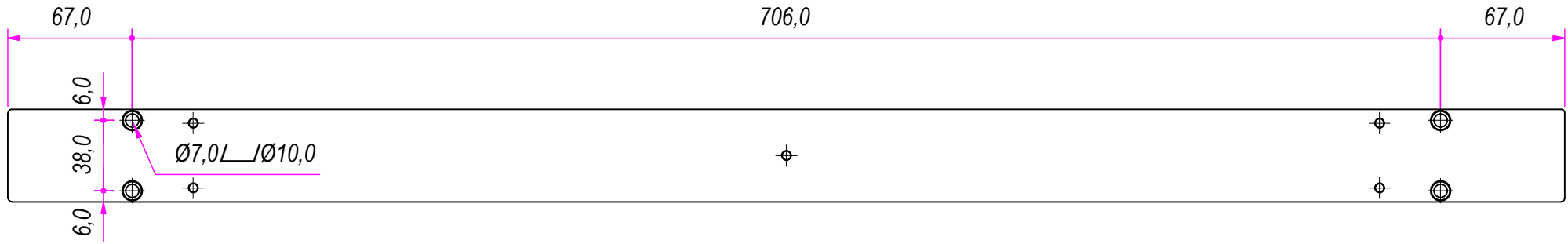
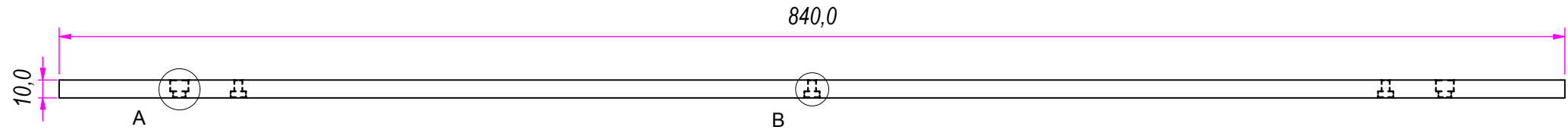
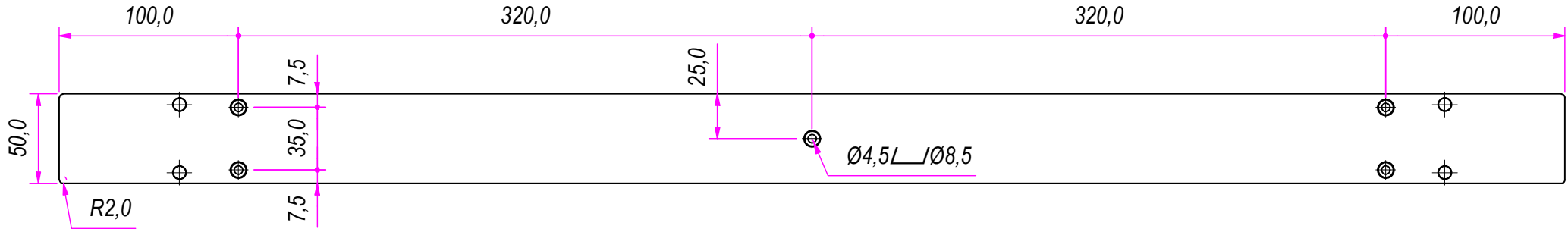
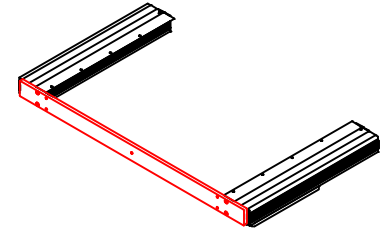
Property of RAM Industrie.
Without its written authorization the present drawing shall neither be used for construction anyway, communicated to third parties, nor reproduced.

1330,0



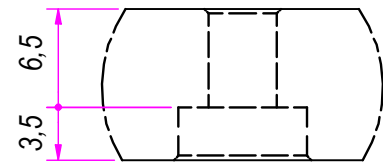
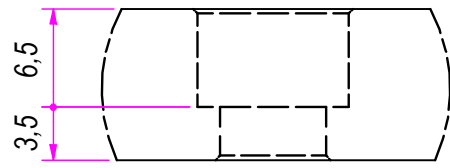
DESIGNED BY F.Dino	CHECKED AND APPROVED BY L. Paleari	GENERAL TOLERANCE SS-ISO-2768-1M	DATE 23/09/2021	CODE T1104480
			PACKAGING	UNIT mm
			DESCRIPTION	SHEET 6 of 7
DEVICE		MATERIAL Aluminum		
PAIR WEIGHT				

Property of RAM Industrie.
Without its written authorization the present drawing shall neither be used for construction anyway, communicated to third parties, nor reproduced.



A (1 : 0.5)

B (1 : 0.5)



DESIGNED BY F.Dino	CHECKED AND APPROVED BY L. Paleari	GENERAL TOLERANCE SS-ISO-2768-1M	DATE 23/09/2021	CODE X.PIAS-ALL-840B
PACKAGING			UNIT mm	SHEET 7 of 7
DESCRIPTION RAM INDUSTRIE		MATERIAL Aluminum		
DEVICE		PAIR WEIGHT		

Property of RAM Industrie.
Without its written authorization the present drawing shall neither be used for construction anyway, communicated to third parties, nor reproduced.