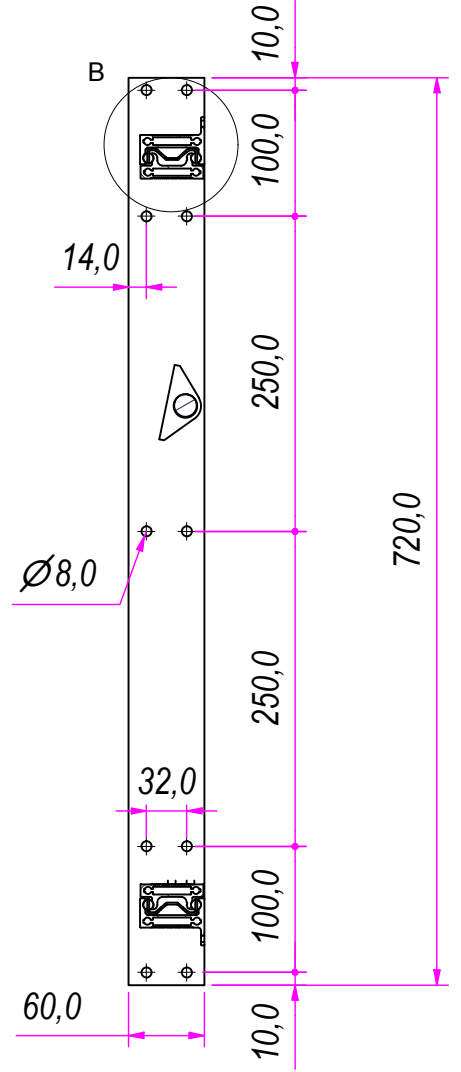
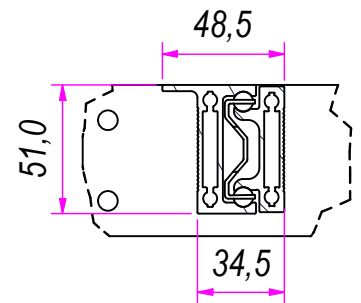


SEZ. A-A



B (1 : 3)

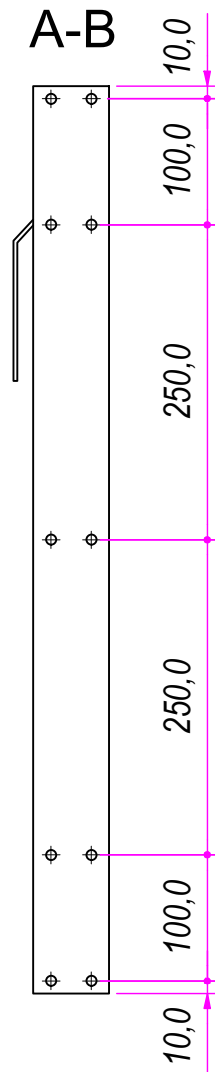
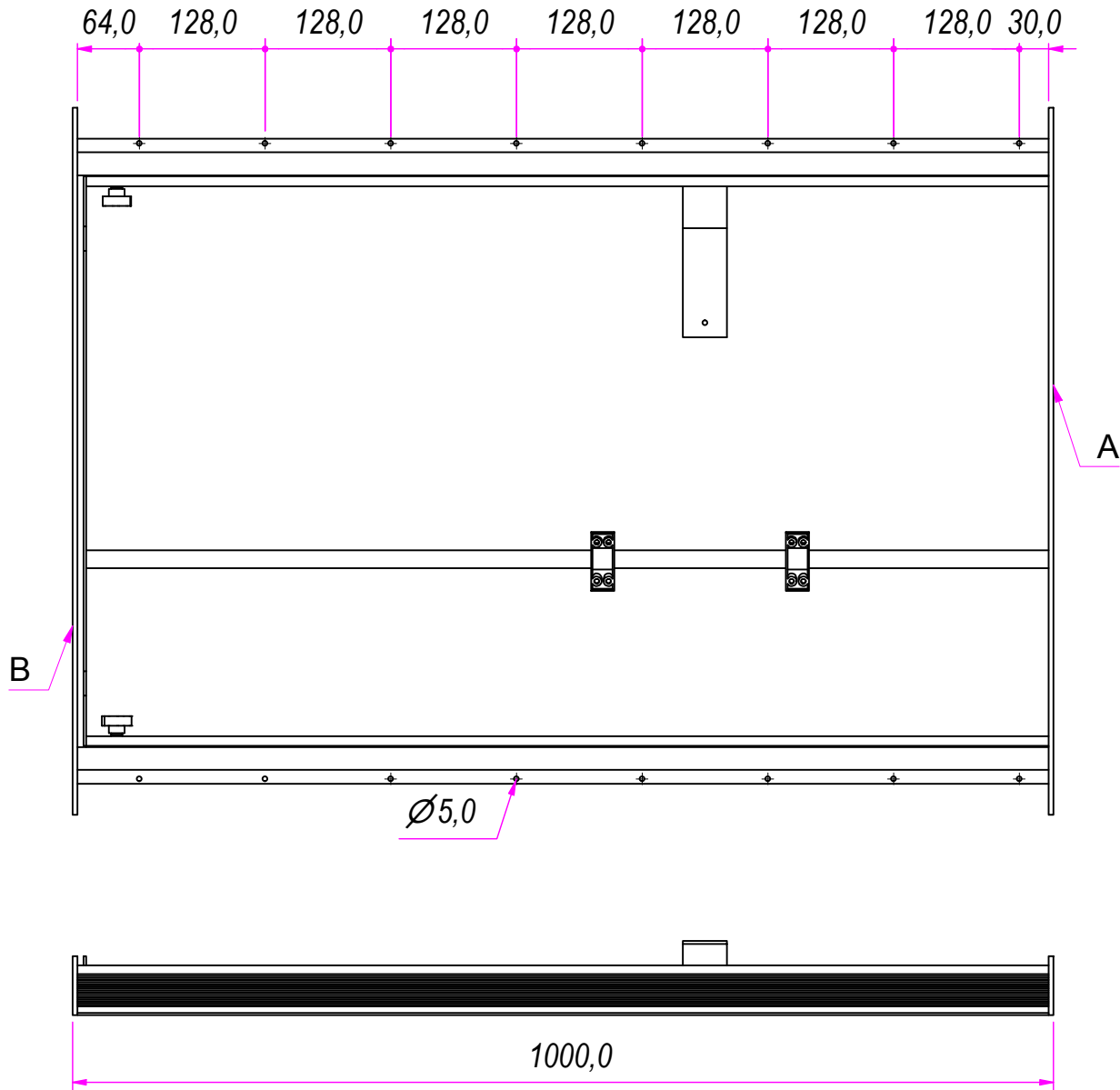


| REVISION HISTORY |             |            |
|------------------|-------------|------------|
| REV              | DESCRIPTION | DATE       |
| 1a               |             | 10/10/2018 |

|                                 |                                       |   |                                 |                  |
|---------------------------------|---------------------------------------|---|---------------------------------|------------------|
| DESIGNED BY<br>F. Dino          | CHECKED AND APPROVED BY<br>L. Paleari | GENERAL TOLERANCE<br>SS-ISO-2768-1M     | DATE<br>09/10/2018              | CODE<br>T621000A |
| PACKAGING<br>Carton 1 piece     |                                       |   | UNIT<br>mm                      | SHEET<br>1 of 4  |
| DESCRIPTION<br>Single extension |                                       | MATERIAL<br>Anodise aluminum alloy 6060 |                                 |                  |
| DEVICE                          |                                       |   | PAIR WEIGHT WITH CARTON<br>9 Kg | 021              |

**RAM**  
INDUSTRIE

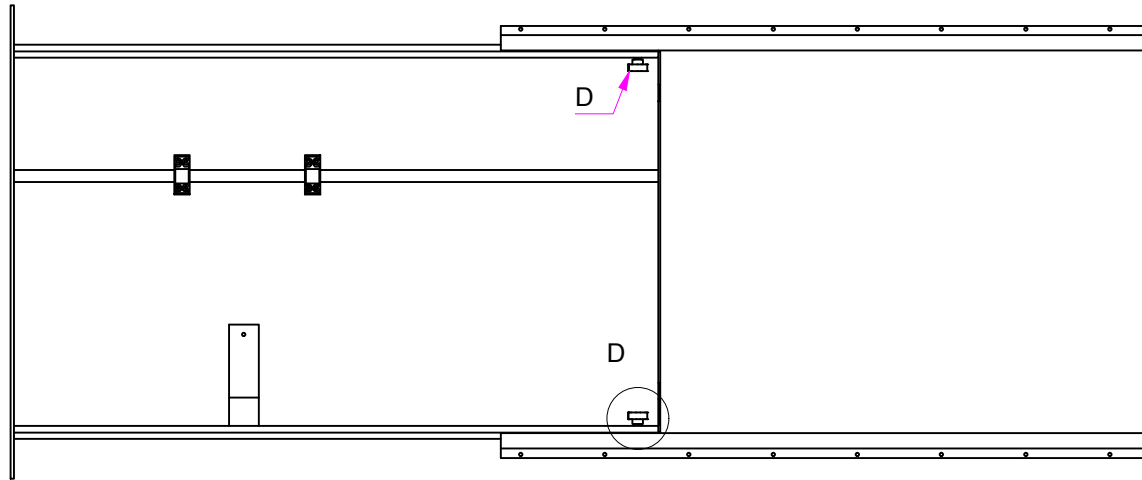
Property of RAM Industrie.  
Without its written authorization the present drawing shall neither be used for construction anyway, communicated to third parties, nor reproduced.



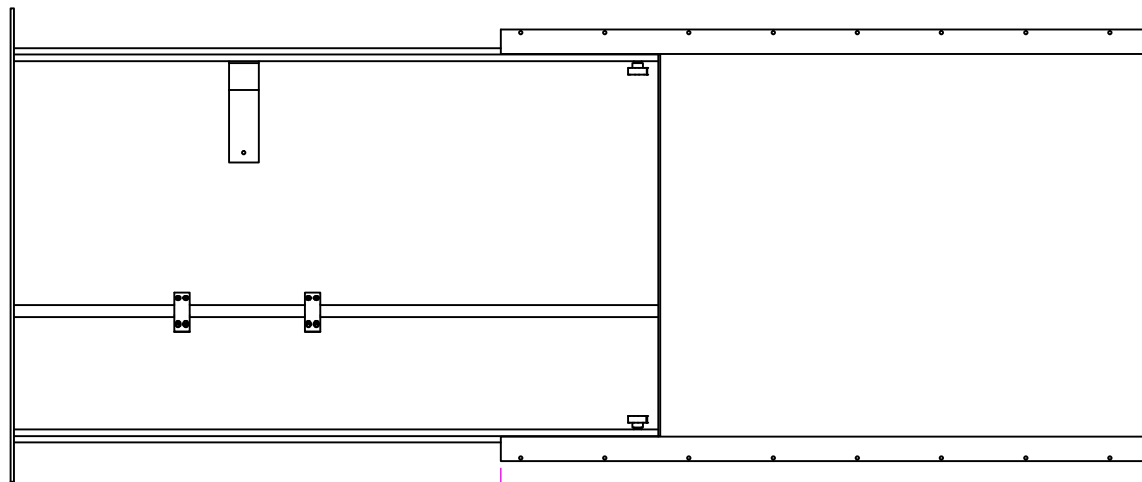
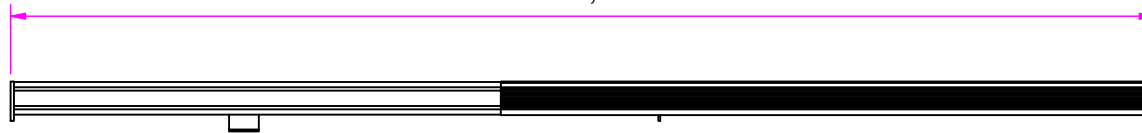
|                       |                                       |                                     |   |                  |
|-----------------------|---------------------------------------|-------------------------------------|---|------------------|
| DESIGNED BY<br>F.Dino | CHECKED AND APPROVED BY<br>L. Paleari | GENERAL TOLERANCE<br>SS-ISO-2768-1M | DATE<br>09/10/2018                      | CODE<br>T621000A |
|                       |                                       | PACKAGING<br>Carton 1 piece         | UNIT<br>mm                              | SHEET<br>2 of 4  |
|                       |                                       | DESCRIPTION<br>Single extension     | MATERIAL<br>Anodise aluminum alloy 6060 |                  |
| DEVICE                |                                       |                                     | PAIR WEIGHT WITH CARTON<br>9 Kg         | 021              |

| REVISION HISTORY |             |            |
|------------------|-------------|------------|
| REV              | DESCRIPTION | DATE       |
| 1a               |             | 10/10/2018 |

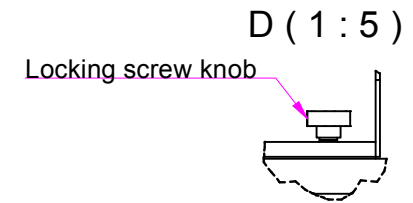
Property of RAM Industrie.  
Without its written authorization the present drawing shall neither be used for construction anyway, communicated to third parties, nor reproduced.



1740,0



745,0

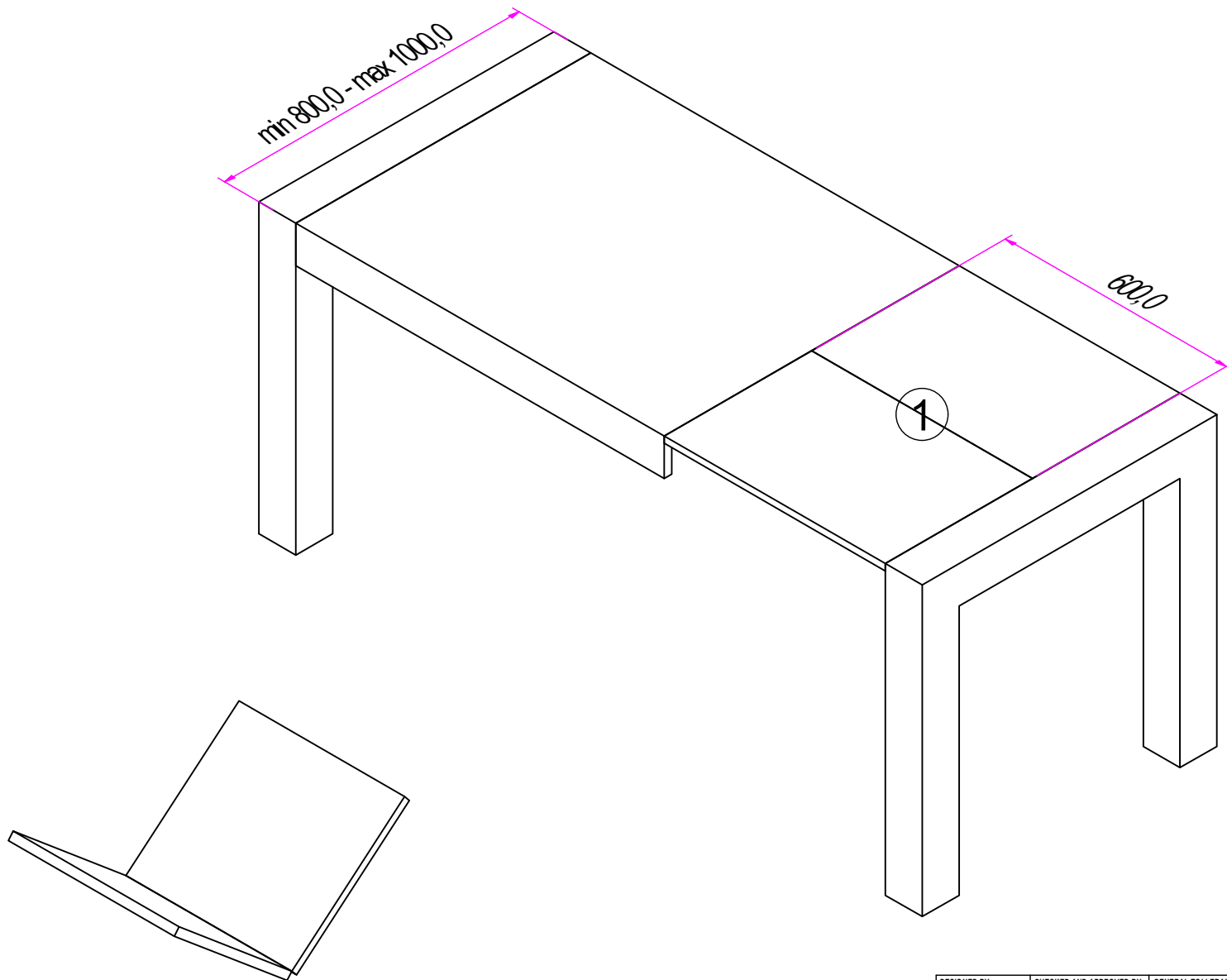



| REVISION HISTORY |             |            |
|------------------|-------------|------------|
| REV              | DESCRIPTION | DATE       |
| 1a               |             | 10/10/2018 |

|                                 |                                       |   |                                 |                  |
|---------------------------------|---------------------------------------|---|---------------------------------|------------------|
| DESIGNED BY<br>F.Dino           | CHECKED AND APPROVED BY<br>L. Paleari | GENERAL TOLLERANCE<br>SS-ISO-2768-1M    | DATE<br>09/10/2018              | CODE<br>T621000A |
| PACKAGING<br>Carton 1 piece     |                                       |   | UNIT<br>mm                      | SHEET<br>3 of 4  |
| DESCRIPTION<br>Single extension |                                       | MATERIAL<br>Anodise aluminum alloy 6060 |                                 |                  |
| DEVICE                          |                                       |   | PAIR WEIGHT WITH CARTON<br>9 Kg | 021              |

**RAM**  
**INDUSTRIE**

Property of RAM Industrie.  
Without its written authorization the present drawing shall neither be used for construction anyway, communicated to third parties, nor reproduced.



|   |                                       |   |                    |                  |
|---|---------------------------------------|---|--------------------|------------------|
| DESIGNED BY<br>F.Dino   | CHECKED AND APPROVED BY<br>L. Paleari | GENERAL TOLLERANCE<br>SS-ISO-2768-1M    | DATE<br>09/10/2018 | CODE<br>T621000A |
|  | PACKAGING<br>Carton 1 piece           | UNIT<br>mm                              | SHEET<br>4 of 4    |                  |
|   | DESCRIPTION<br>Single extension       | MATERIAL<br>Anodise aluminum alloy 6060 |                    |                  |
|   | DEVICE                                | PAIR WEIGHT WITH CARTON<br>9 Kg         | 021                |                  |

Property of RAM Industrie.  
Without its written authorization the present drawing shall neither be used for construction anyway, communicated to third parties, nor reproduced.