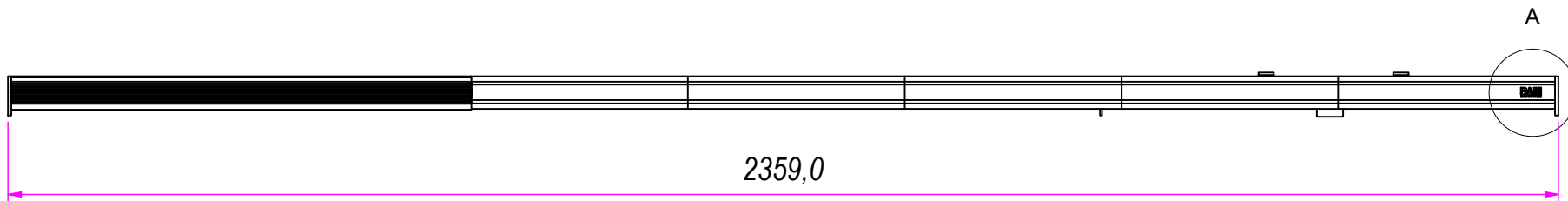
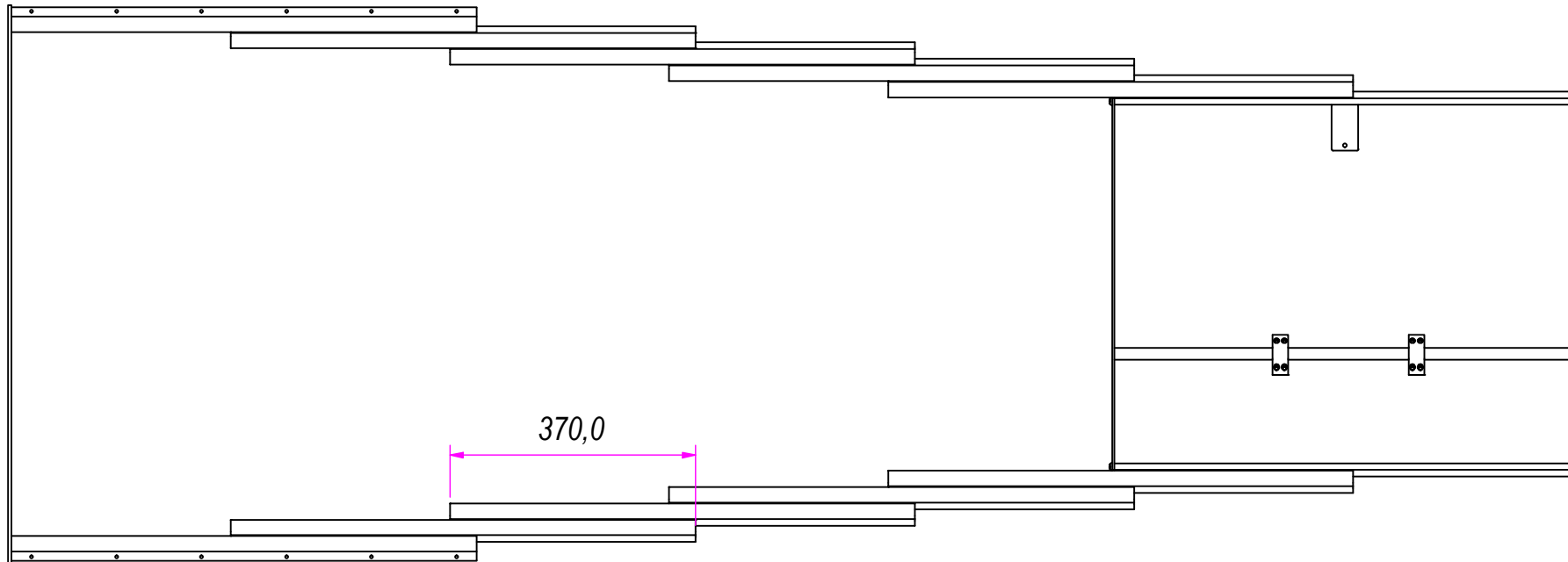
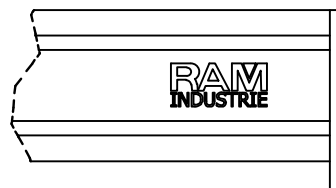


DESIGNED BY F.Dino	CHECKED AND APPROVED BY L. Paleari	GENERAL TOLERANCE SS-ISO-2768-1M	DATE 11/09/2020	CODE T9006710
		PACKAGING Carton 1 piece	UNIT mm	SHEET 1 of 8
		DESCRIPTION	MATERIAL Anodise aluminum alloy 6060	
DEVICE		PAIR WEIGHT WITH CARTON		

Property of RAM Industrie.
Without its written authorization the present drawing shall neither be used for construction anyway, communicated to third parties, nor reproduced.



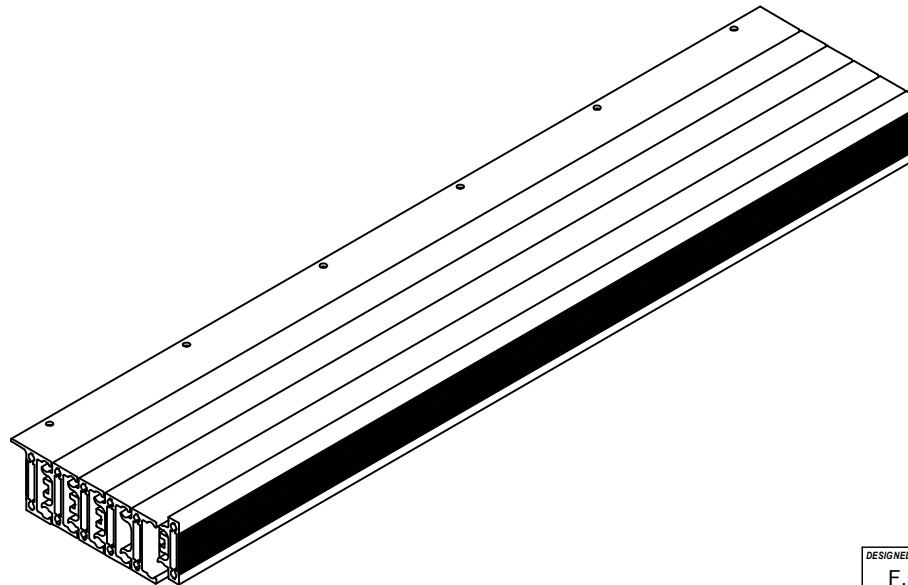
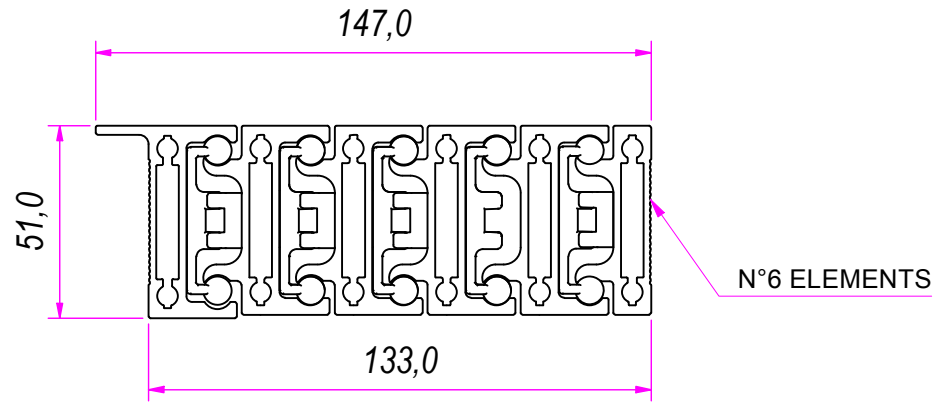
A (1 : 2.5)



DESIGNED BY F.Dino	CHECKED AND APPROVED BY L. Paleari	GENERAL TOLERANCE SS-ISO-2768-1M	DATE 11/09/2020	CODE T9006710
PACKAGING			UNIT mm	SHEET 2 of 8
DESCRIPTION		MATERIAL		
DEVICE		PAIR WEIGHT WITH CARTON		

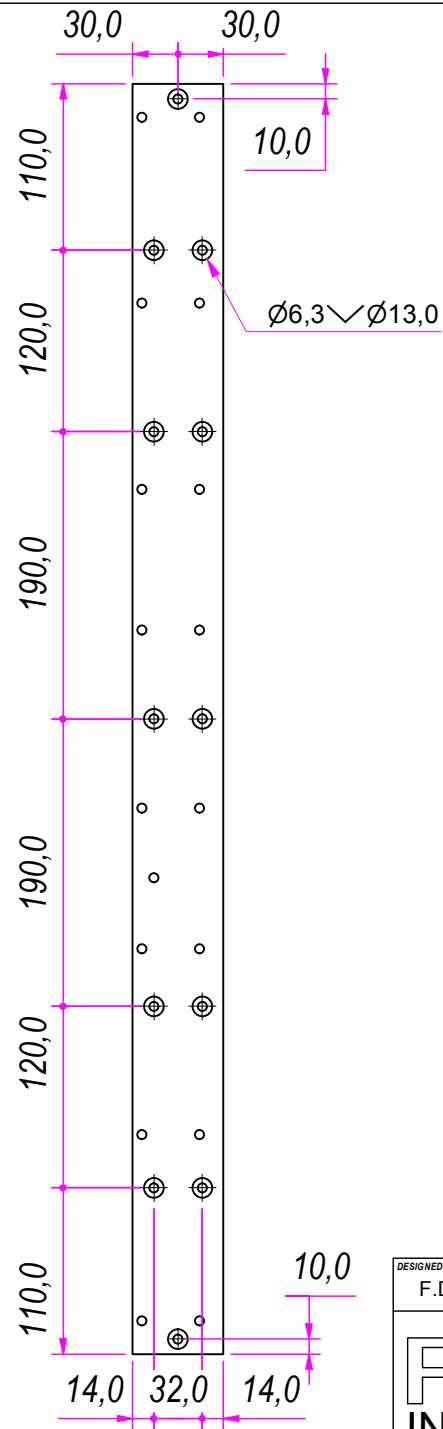
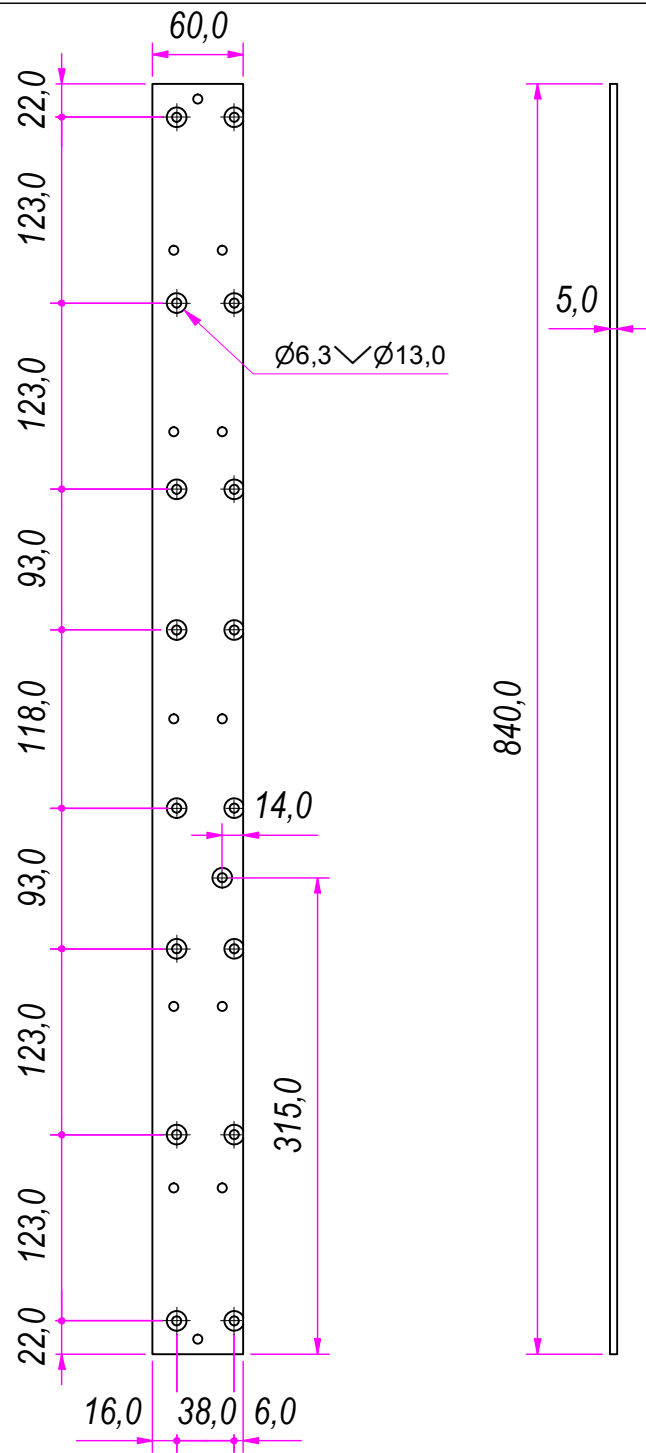
Property of RAM Industrie.
Without its written authorization the present drawing shall neither be used for construction anyway, communicated to third parties, nor reproduced.

1



DESIGNED BY F.Dino	CHECKED AND APPROVED BY L. Paleari	GENERAL TOLERANCE SS-ISO-2768-1M	DATE 11/09/2020	CODE Guida
PACKAGING			UNIT mm	SHEET 3 of 8
DESCRIPTION RAM INDUSTRIE		MATERIAL Anodise aluminum alloy 6060		
DEVICE		PAIR WEIGHT WITH CARTON		

Property of RAM Industrie.
Without its written authorization the present drawing shall neither be used for construction anyway, communicated to third parties, nor reproduced.

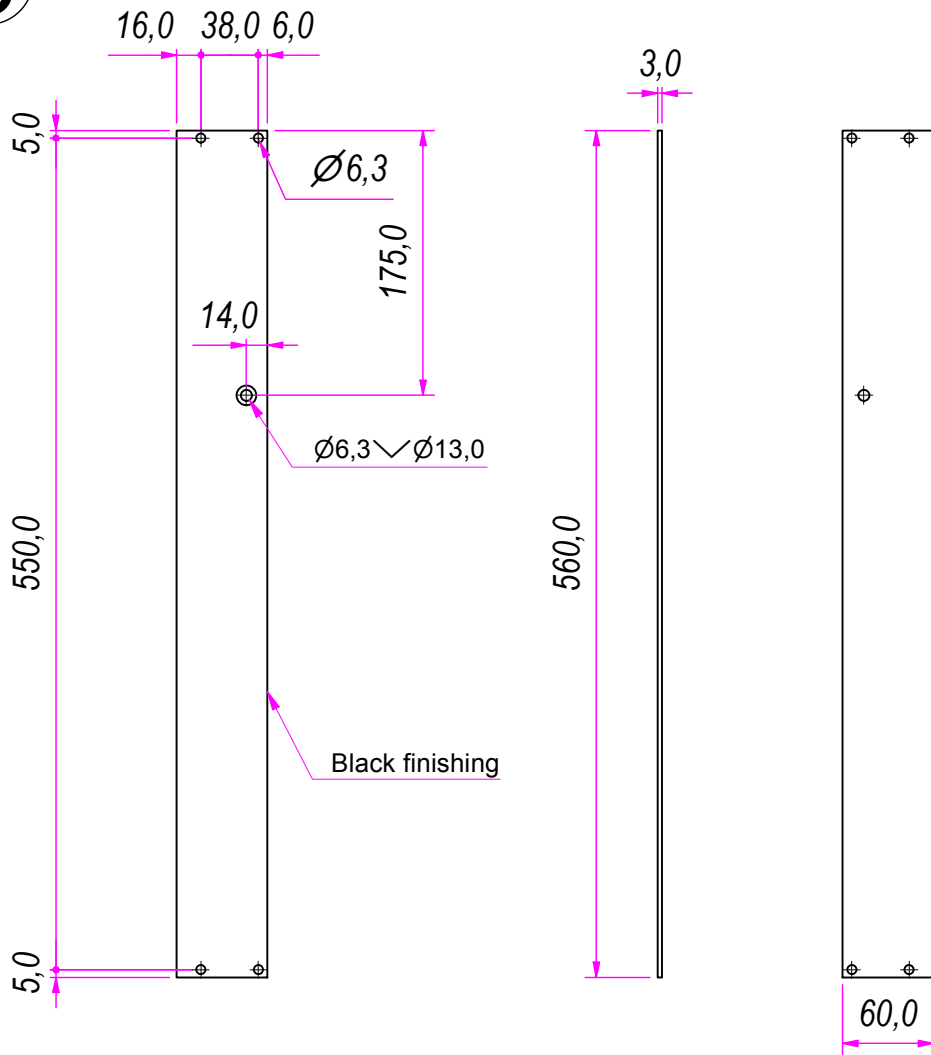


2

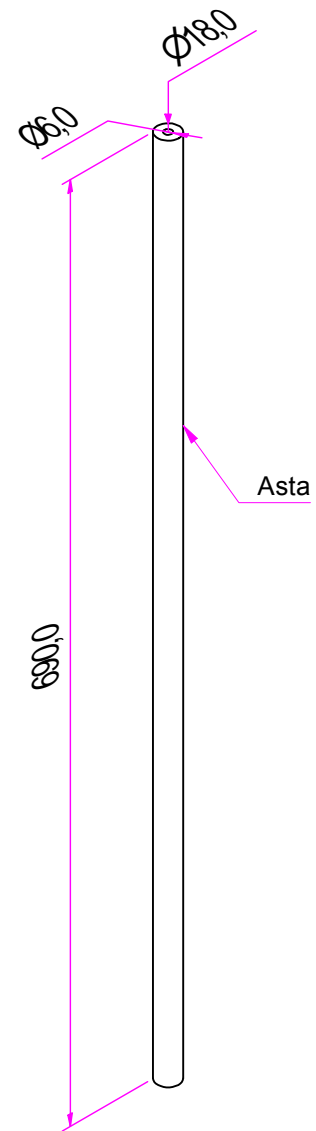
DESIGNED BY F.Dino	CHECKED AND APPROVED BY L. Paleari	GENERAL TOLERANCE SS-ISO-2768-1M	DATE 11/09/2020	CODE Piastra
PACKAGING			UNIT mm	SHEET 4 of 8
DESCRIPTION Black finishing		MATERIAL Iron		
DEVICE		PAIR WEIGHT WITH CARTON		

RAM
INDUSTRIE

3



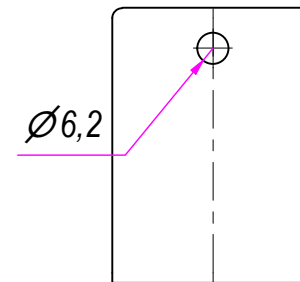
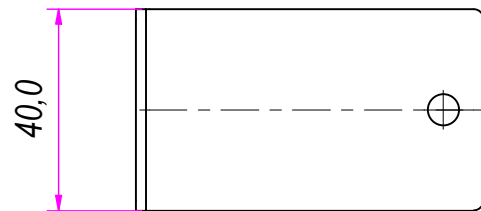
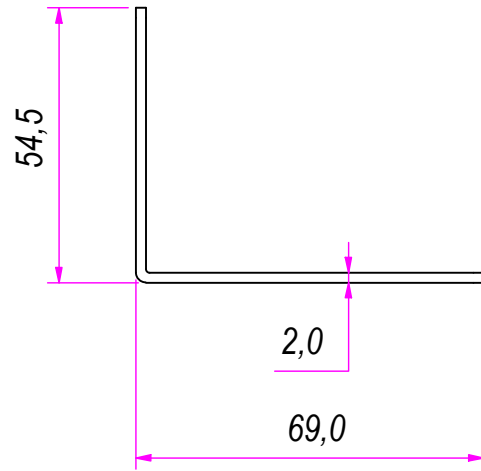
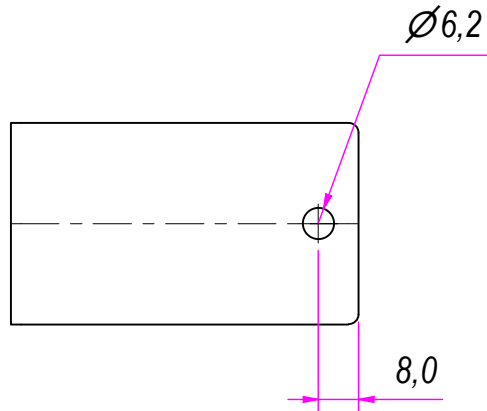
4



DESIGNED BY F.Dino	CHECKED AND APPROVED BY L. Paleari	GENERAL TOLLERANCE SS-ISO-2768-1M	DATE 11/09/2020	CODE
PACKAGING			UNIT mm	SHEET 5 of 8
DESCRIPTION RAM INDUSTRIE		MATERIAL Iron		
DEVICE		PAIR WEIGHT WITH CARTON		

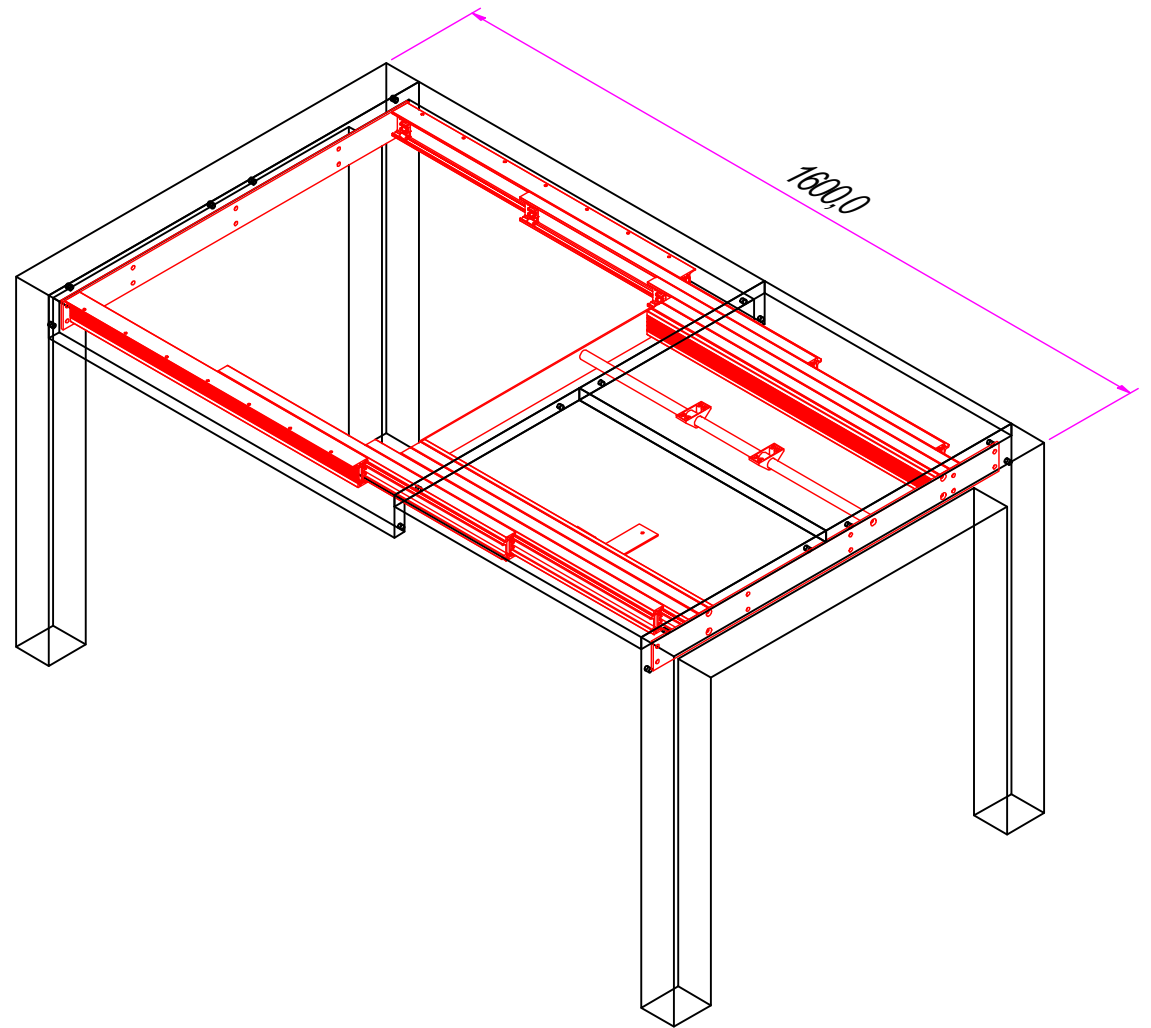
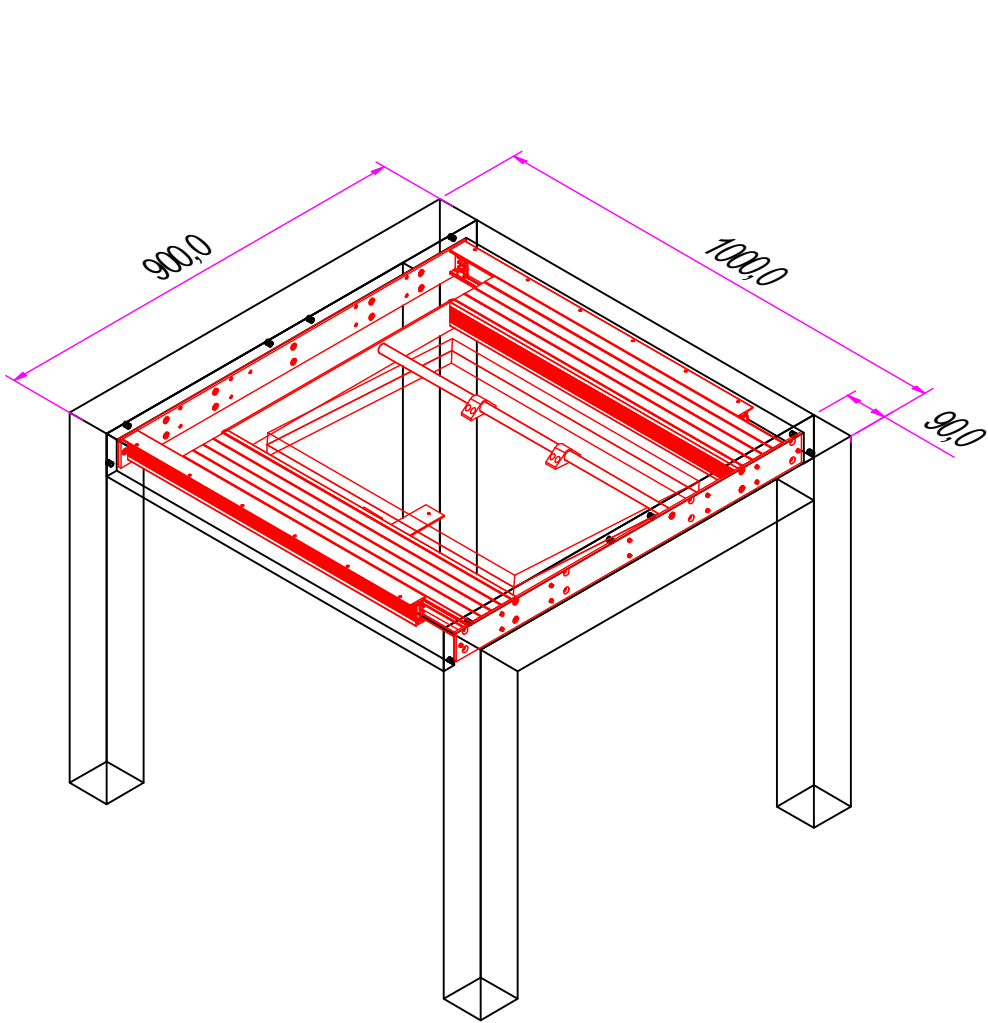
Property of RAM Industrie.
Without its written authorization the present drawing shall neither be used for construction anyway, communicated to third parties, nor reproduced.


5



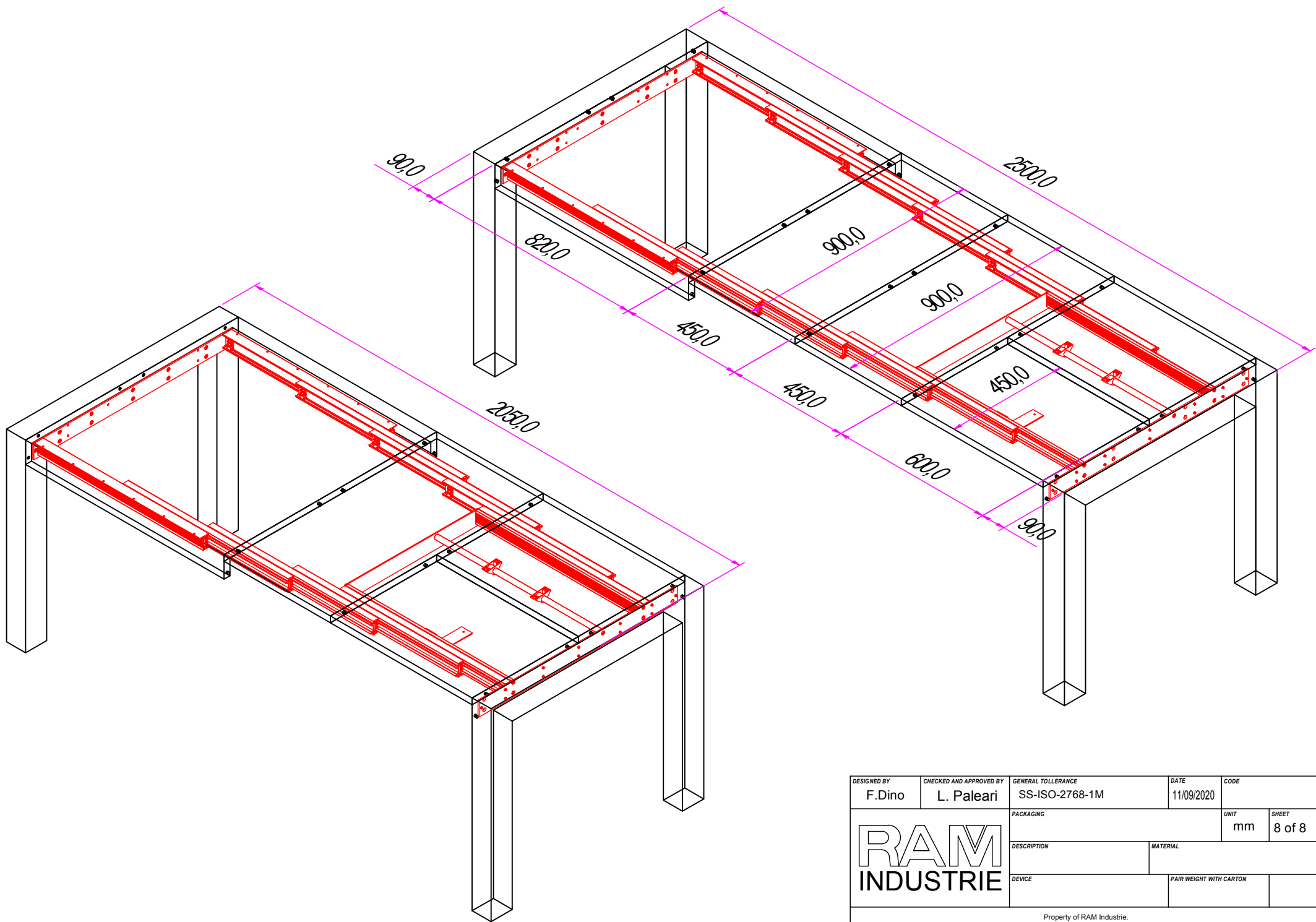
DESIGNED BY F.Dino	CHECKED AND APPROVED BY L. Paleari	GENERAL TOLERANCE SS-ISO-2768-1M	DATE 11/09/2020	CODE Poggia allunga
RAM INDUSTRIE		PACKAGING	UNIT mm	SHEET 6 of 8
		DESCRIPTION	MATERIAL Iron	
DEVICE			PAIR WEIGHT WITH CARTON	

Property of RAM Industrie.
Without its written authorization the present drawing shall neither be used for construction anyway, communicated to third parties, nor reproduced.



DESIGNED BY F.Dino	CHECKED AND APPROVED BY L. Paleari	GENERAL TOLLERANCE SS-ISO-2768-1M	DATE 11/09/2020	CODE
			PACKAGING	UNIT mm
			DESCRIPTION	SHEET 7 of 8
DEVICE		PAIR WEIGHT WITH CARTON		

Property of RAM Industrie.
Without its written authorization the present drawing shall neither be used for construction anyway, communicated to third parties, nor reproduced.



DESIGNED BY F.Dino	CHECKED AND APPROVED BY L. Paleari	GENERAL TOLERANCE SS-ISO-2768-1M	DATE 11/09/2020	CODE
PACKAGING			UNIT mm	SHEET 8 of 8
DESCRIPTION		MATERIAL		
DEVICE		PAIR WEIGHT WITH CARTON		

Property of RAM Industrie.
Without its written authorization the present drawing shall neither be used for construction anyway, communicated to third parties, nor reproduced.