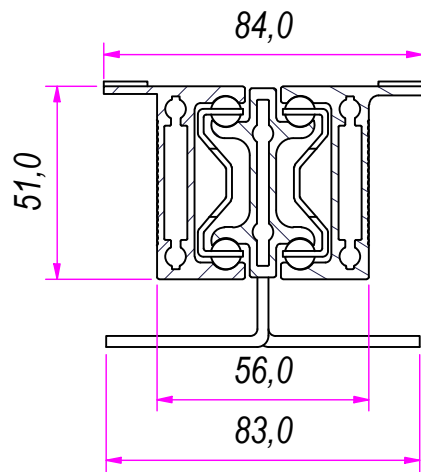
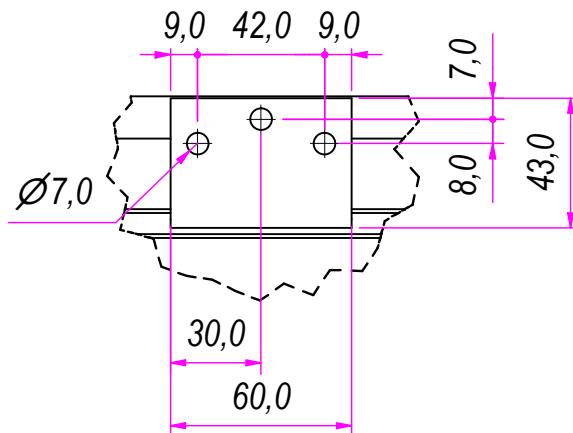


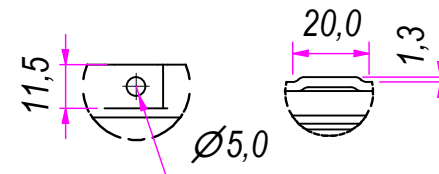
SEZ. A-A



B (1 : 2.5)



C (1 : 2)

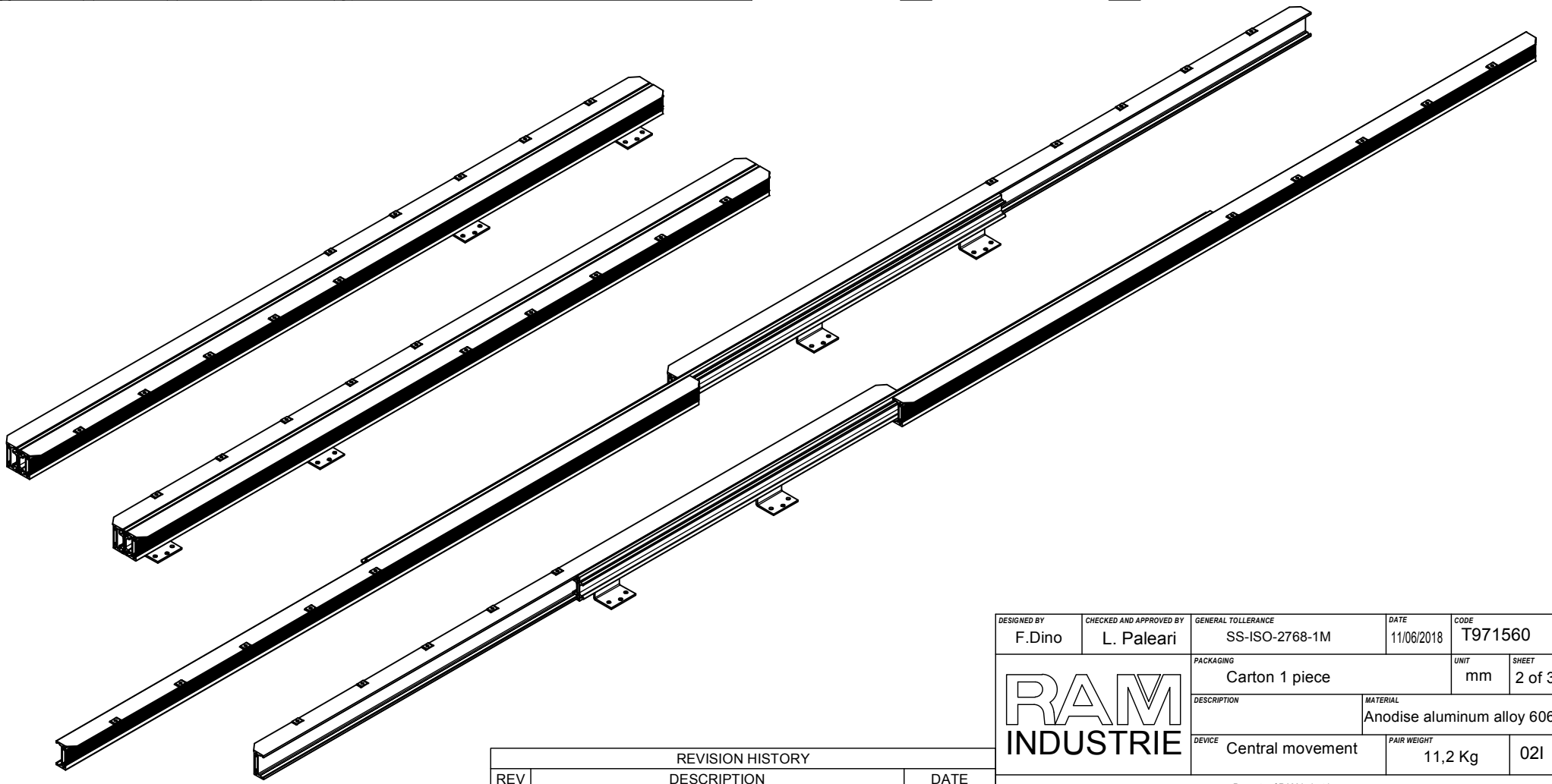
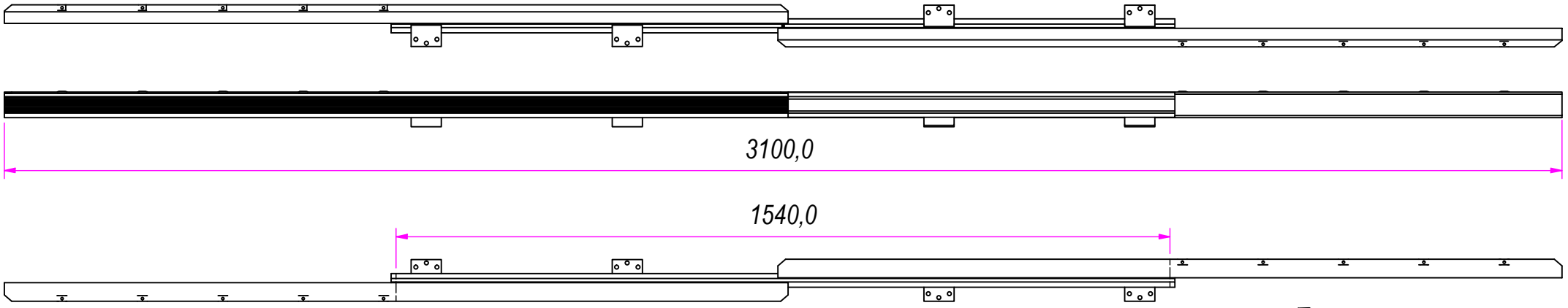


REVISION HISTORY		
REV	DESCRIPTION	DATE
1a		11/06/2018

DESIGNED BY F. Dino	CHECKED AND APPROVED BY L. Paleari	GENERAL TOLERANCE SS-ISO-2768-1M	DATE 11/06/2018	CODE T971560
PACKAGING Carton 1 piece			UNIT mm	SHEET 1 of 3
DESCRIPTION Central movement			MATERIAL Anodise aluminum alloy 6060	
DEWEIGHT Central movement			PAIR WEIGHT 11,2 Kg	021

RAM
INDUSTRIE

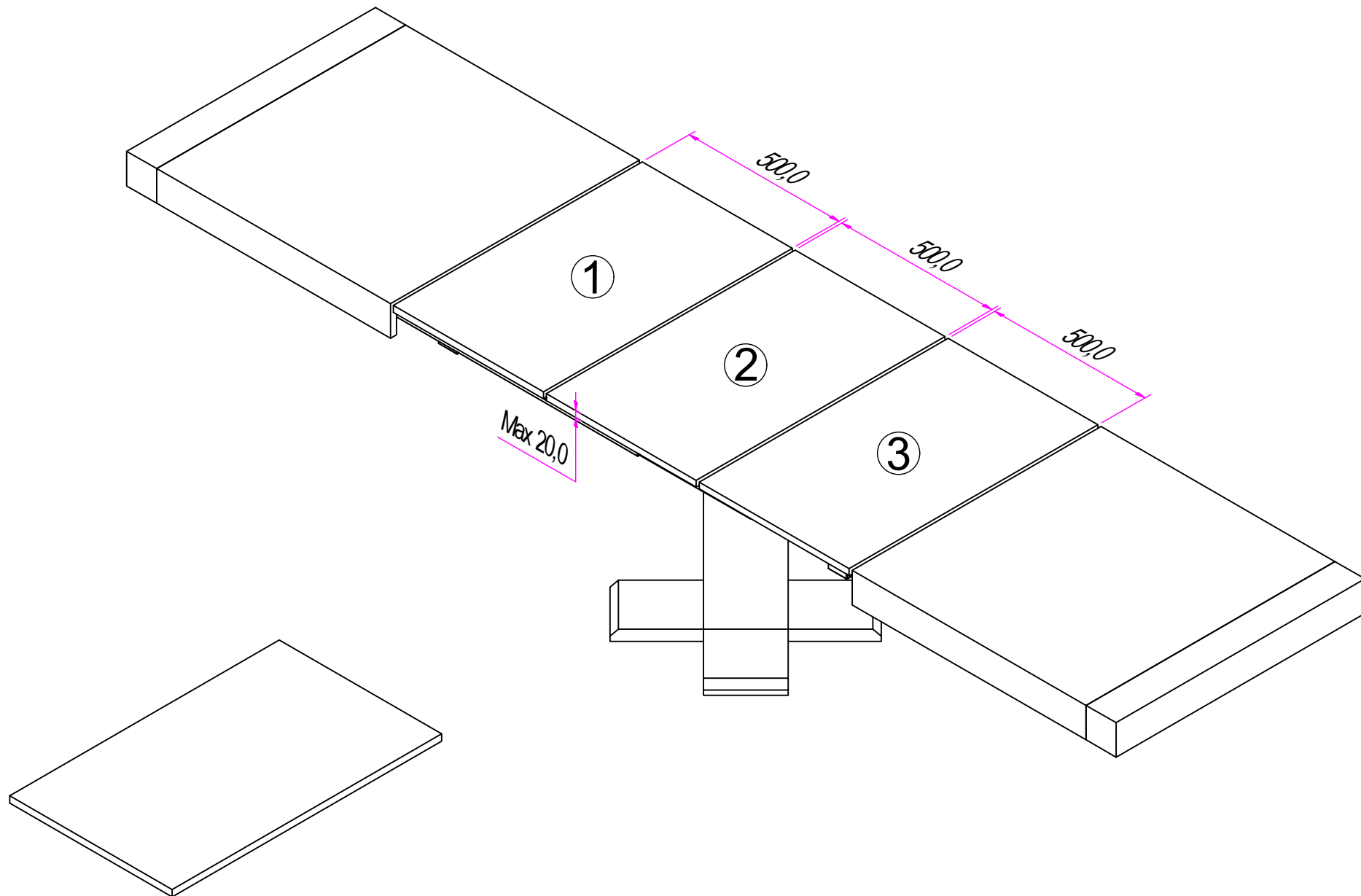
Property of RAM Industrie.
Without its written authorization the present drawing shall neither be used for construction anyway, communicated to third parties, nor reproduced.




REVISION HISTORY		
REV	DESCRIPTION	DATE
1a		11/06/2018

DESIGNED BY F.Dino	CHECKED AND APPROVED BY L. Paleari	GENERAL TOLLERANCE SS-ISO-2768-1M	DATE 11/06/2018	CODE T971560
PACKAGING Carton 1 piece			UNIT mm	SHEET 2 of 3
DESCRIPTION Central movement			MATERIAL Anodise aluminum alloy 6060	
			PAIR WEIGHT 11,2 Kg	021
Property of RAM Industrie. Without its written authorization the present drawing shall neither be used for construction anyway, communicated to third parties, nor reproduced.				

RAM
INDUSTRIE



DESIGNED BY F.Dino	CHECKED AND APPROVED BY L. Paleari	GENERAL TOLLERANCE SS-ISO-2768-1M	DATE 11/06/2018	CODE T971560
PACKAGING Carton 1 piece			UNIT mm	SHEET 3 of 3
			MATERIAL Anodise aluminum alloy 6060	
			DEVICE Central movement	PAIR WEIGHT 11,2 Kg

Property of RAM Industrie.
Without its written authorization the present drawing shall neither be used for construction anyway, communicated to third parties, nor reproduced.