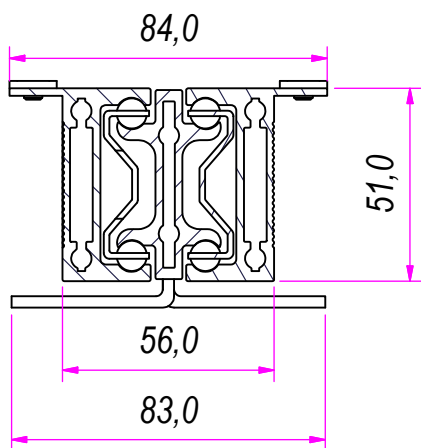
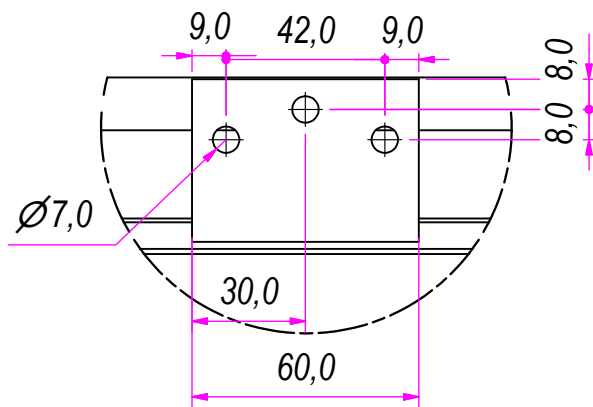


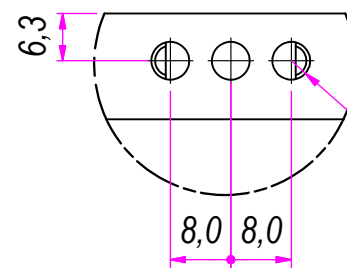
SEZ. A-A



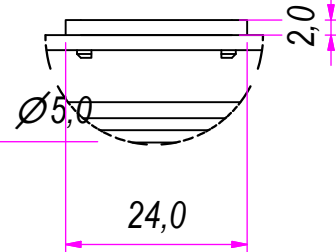
B (1:2)



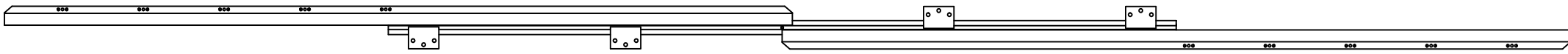
C (1:1)



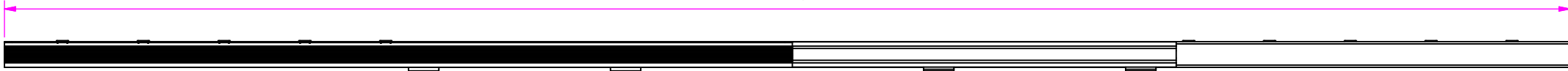
D (1:1)



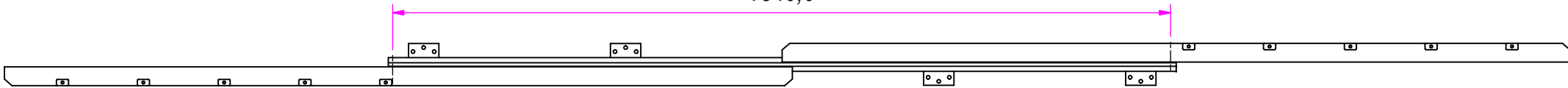
DESIGNED BY Assia	CHECKED AND APPROVED BY Loris	DATE 28.03.2024	CODE T971560
	GENERAL TOLERANCE SS-ISO-2768-1M	UNIT	SCALE
	DESCRIPTION	MATERIAL Anidise aluminium alloy 6060	
	DEVICES	PAIR WEIGHT	
<small>Property of Ram Industrie without its written authorization, the present drawing shall neither be used for construction anyway, communicated to third parts, not reproduced</small>			




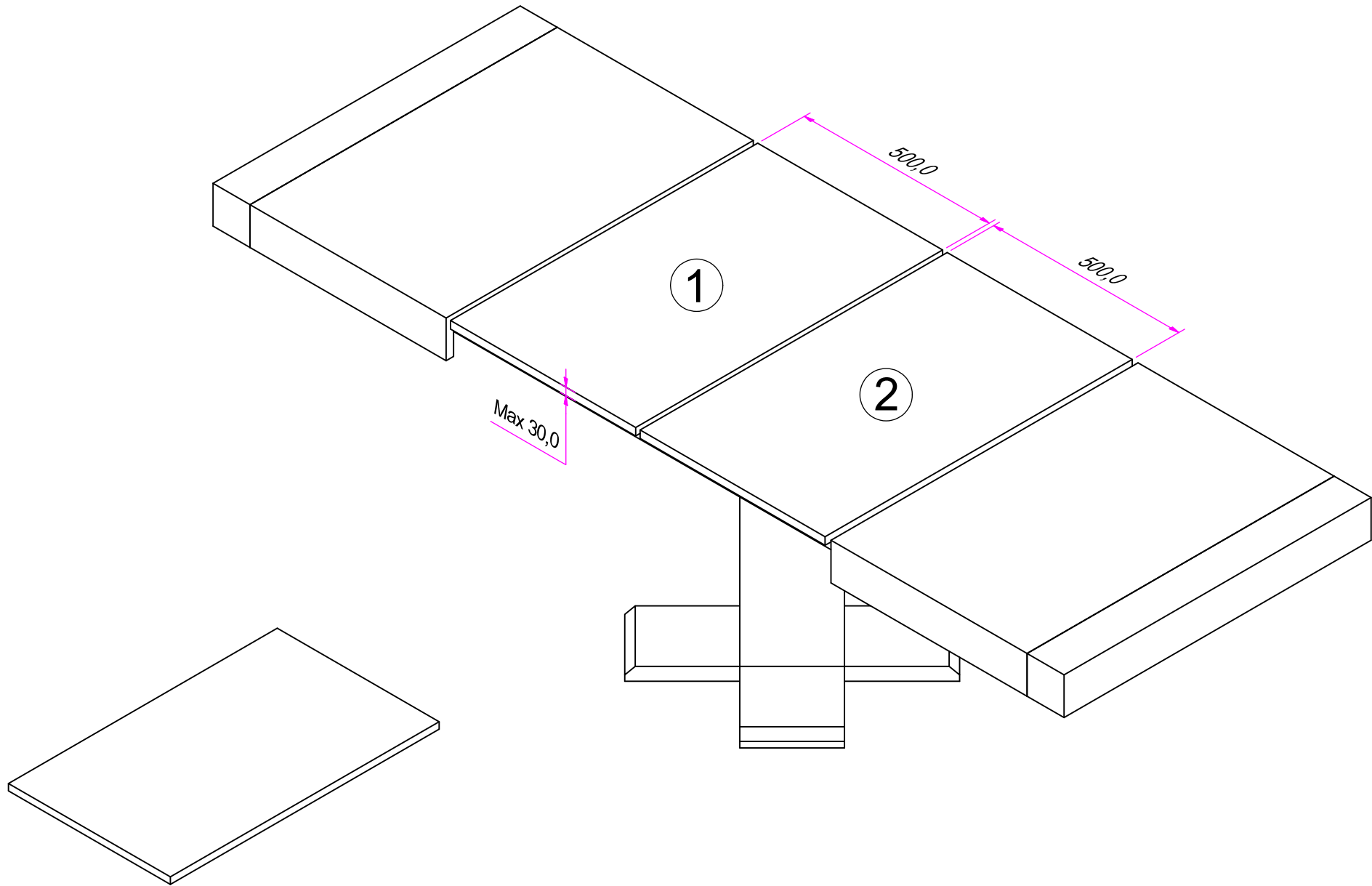
3100,0




1540,0



DESIGNED BY Assia	CHECKED AND APPROVED BY Loris	DATE 28.03.2024	CODE T971560
	GENERAL TOLLERANCE SS-ISO-2768-1M	UNIT	SCALE 2/3
	DESCRIPTION	MATERIAL Anodise aluminium alloy 6060	
DEVICES	PAIR WEIGHT		
<small>Property of Ram Industrie without its written authorization, the present drawing shall neither be used for construction anyway, communicated to third parts, not reproduced</small>			



DESIGNED BY Assia	CHECKED AND APPROVED BY Loris	DATE 28.03.2024	CODE T971560
	GENERAL TOLLERANCE SS-ISO-2768-1M	UNIT	SCALE SHEET 3/3
	DESCRIPTION	MATERIAL Anodise aluminium alloy 6060	
	DEVICES	PAIR WEIGHT	
<small>Property of Ram Industrie without its written authorization, the present drawing shall neither be used for construction anyway, communicated to third parts, not reproduced</small>			