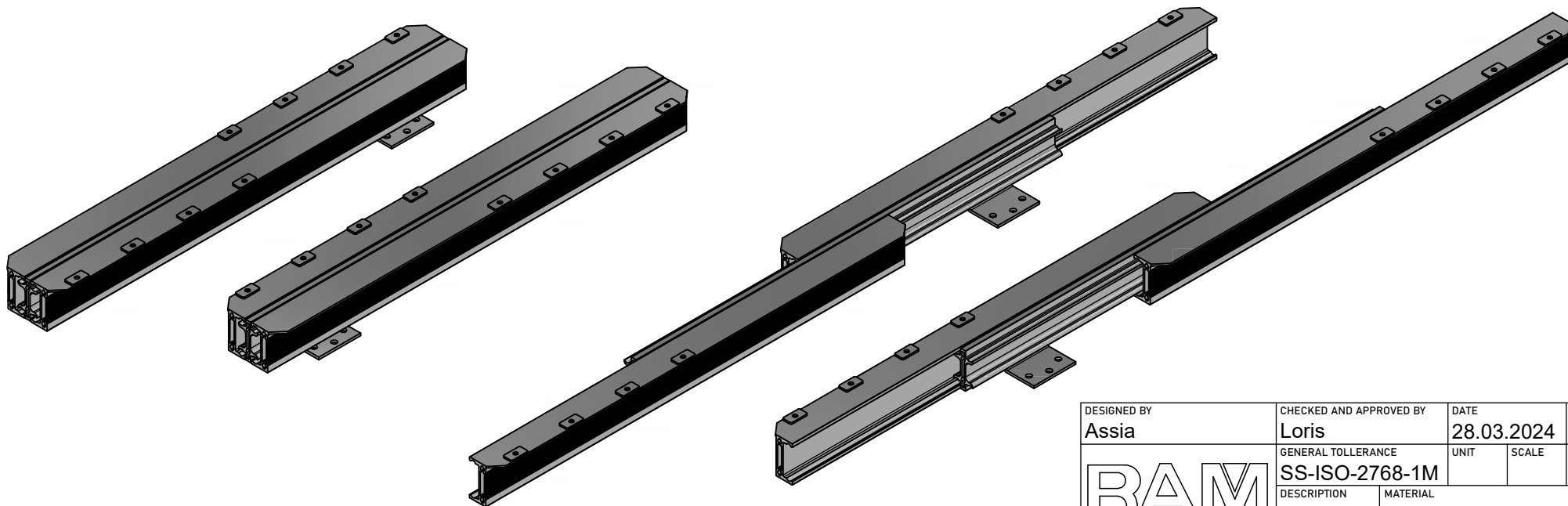
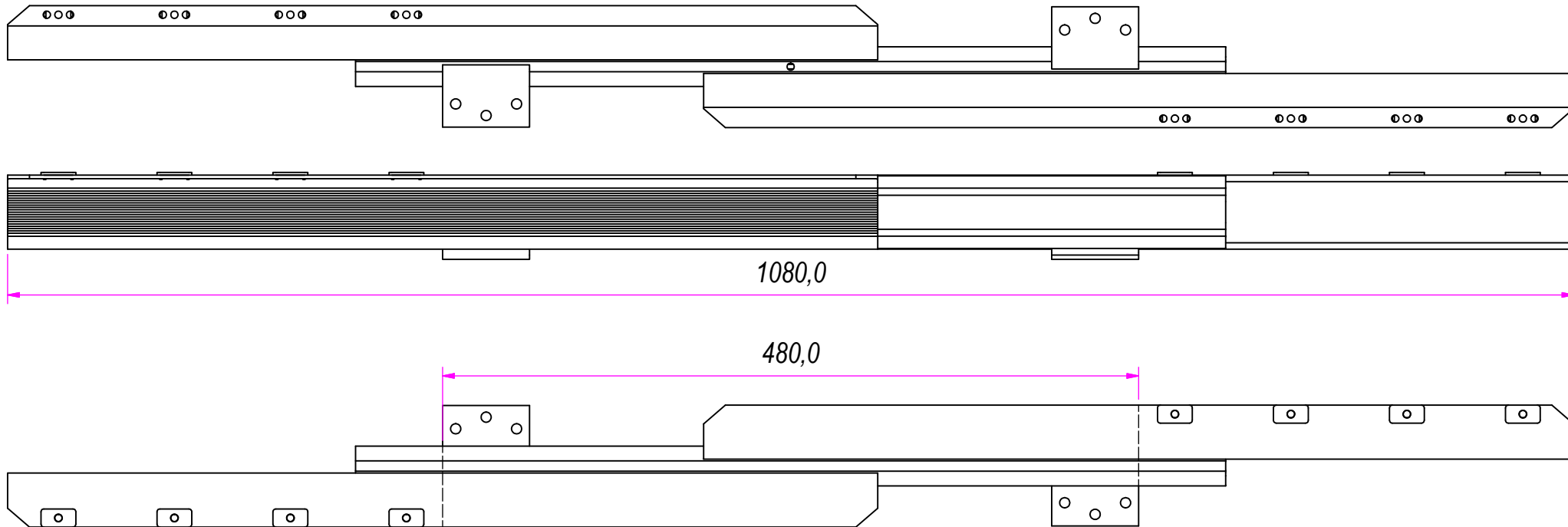

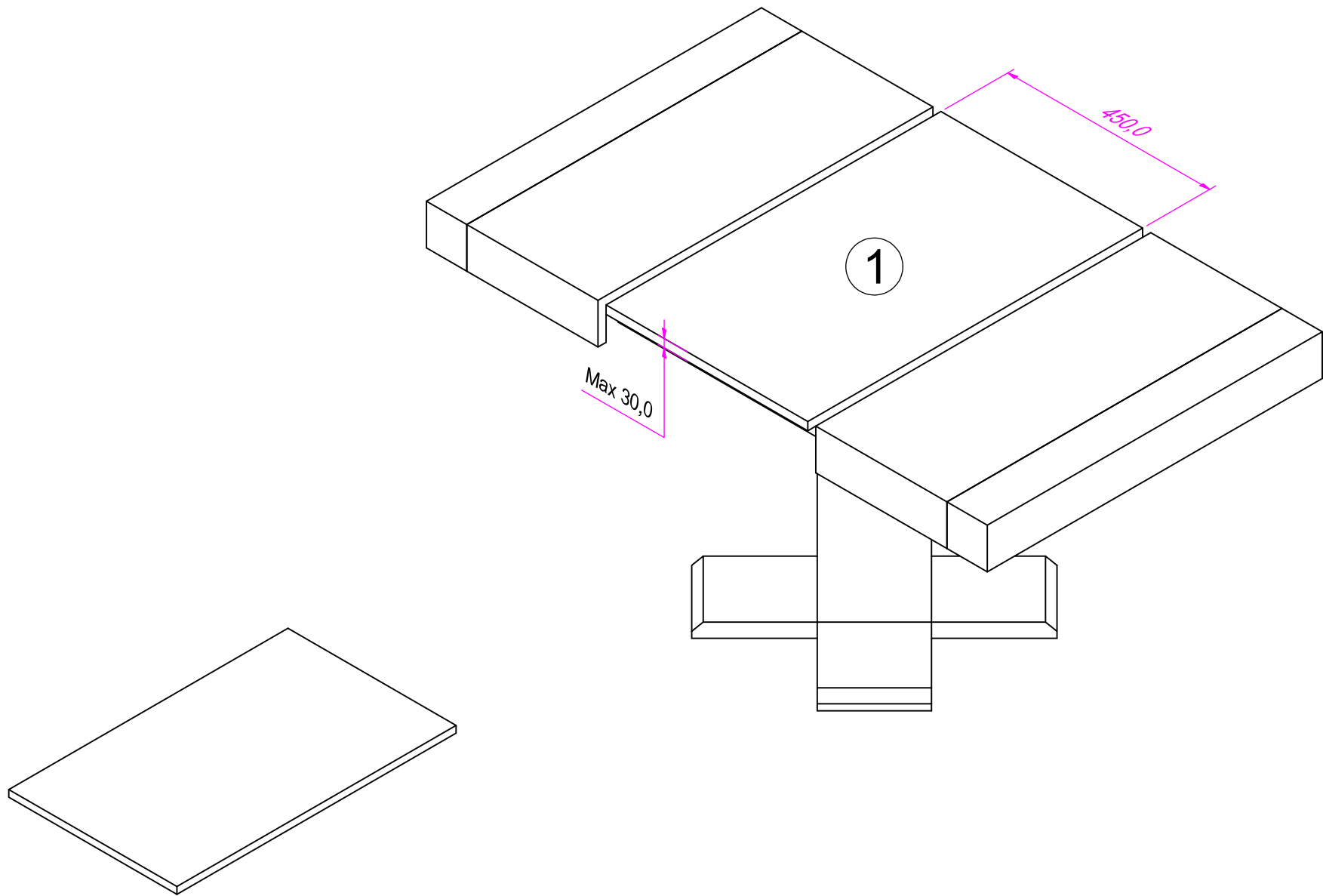



DESIGNED BY Assia	CHECKED AND APPROVED BY Loris	DATE 28.03.2024	CODE T97600
GENERAL TOLERANCE SS-ISO-2768-1M		UNIT	SCALE 1/3
DESCRIPTION		MATERIAL Anodise aluminium alloy 6060	
DEVICES		PAIR WEIGHT	

Property of Ram Industrie  
without its written authorization, the present drawing shall neither  
be used for construction anyway, communicated to third parts, not reproduced



DESIGNED BY Assia	CHECKED AND APPROVED BY Loris	DATE 28.03.2024	CODE T97600
	GENERAL TOLLERANCE SS-ISO-2768-1M	UNIT	SCALE
	DESCRIPTION	MATERIAL Anodise aluminium alloy 6060	
DEVICES	PAIR WEIGHT		
<small>Property of Ram Industrie without its written authorization, the present drawing shall neither be used for construction anyway, communicated to third parts, not reproduced</small>			



DESIGNED BY Assia	CHECKED AND APPROVED BY Loris	DATE 28.03.2024	CODE T97600
	GENERAL TOLLERANCE SS-ISO-2768-1M	UNIT	SCALE
	DESCRIPTION	MATERIAL Anodise aluminium alloy 6060	
	DEVICES	PAIR WEIGHT	
<small>Property of Ram Industrie without its written authorization, the present drawing shall neither be used for construction anyway, communicated to third parts, not reproduced</small>			