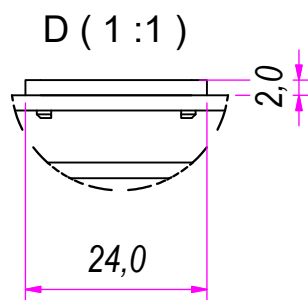
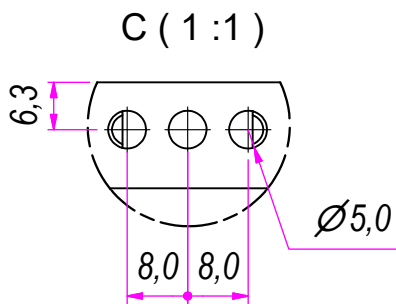
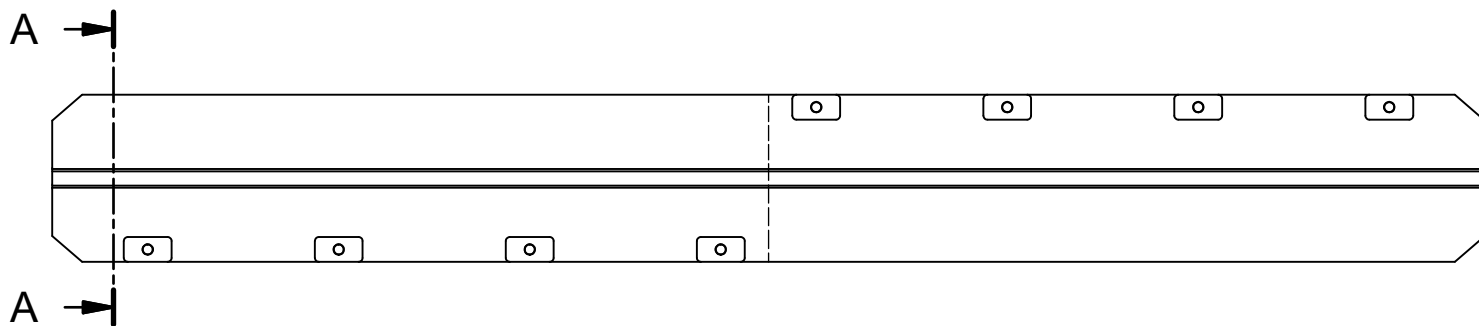
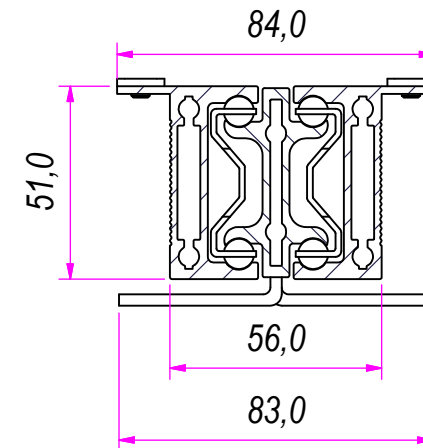
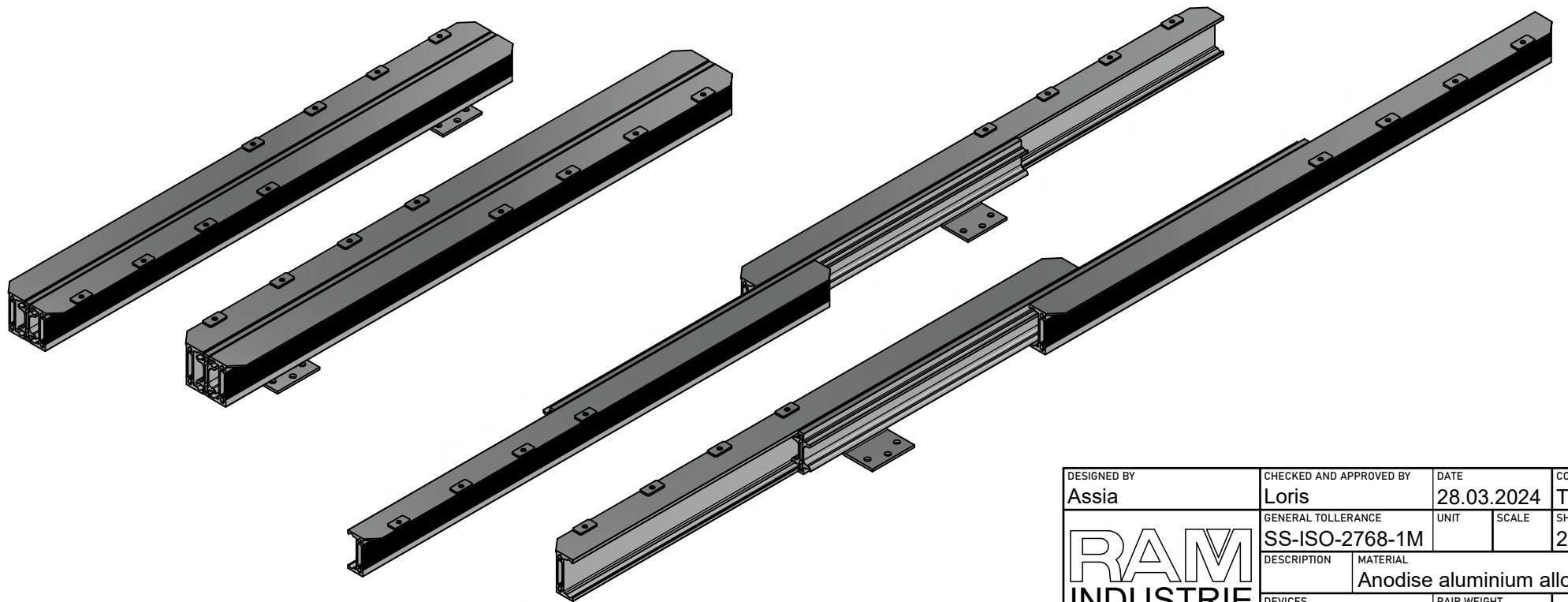
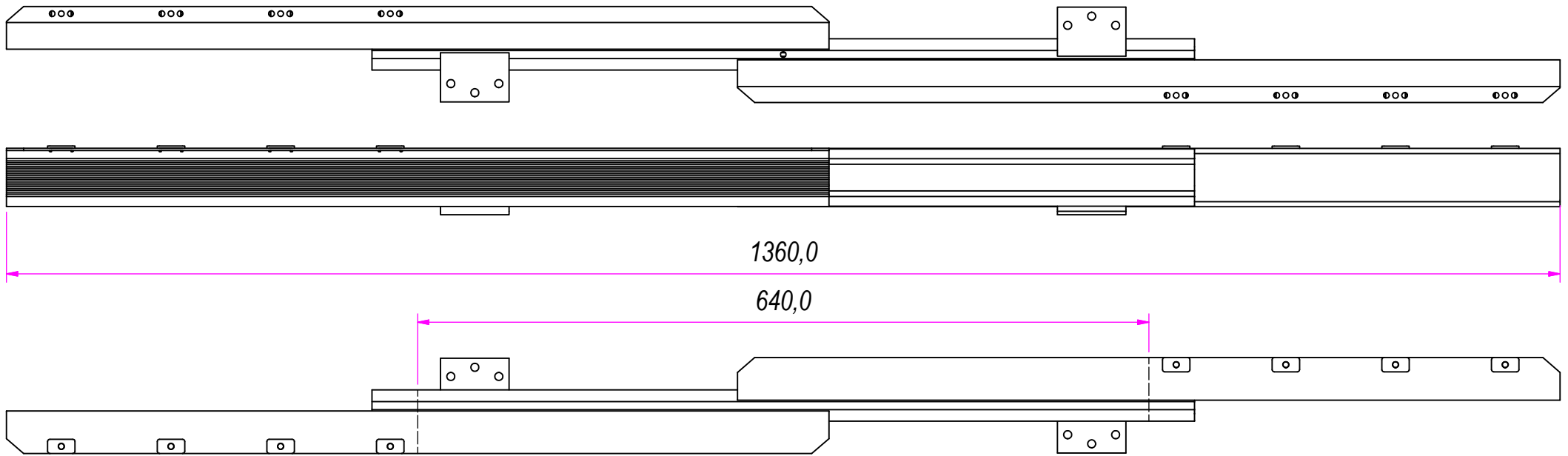



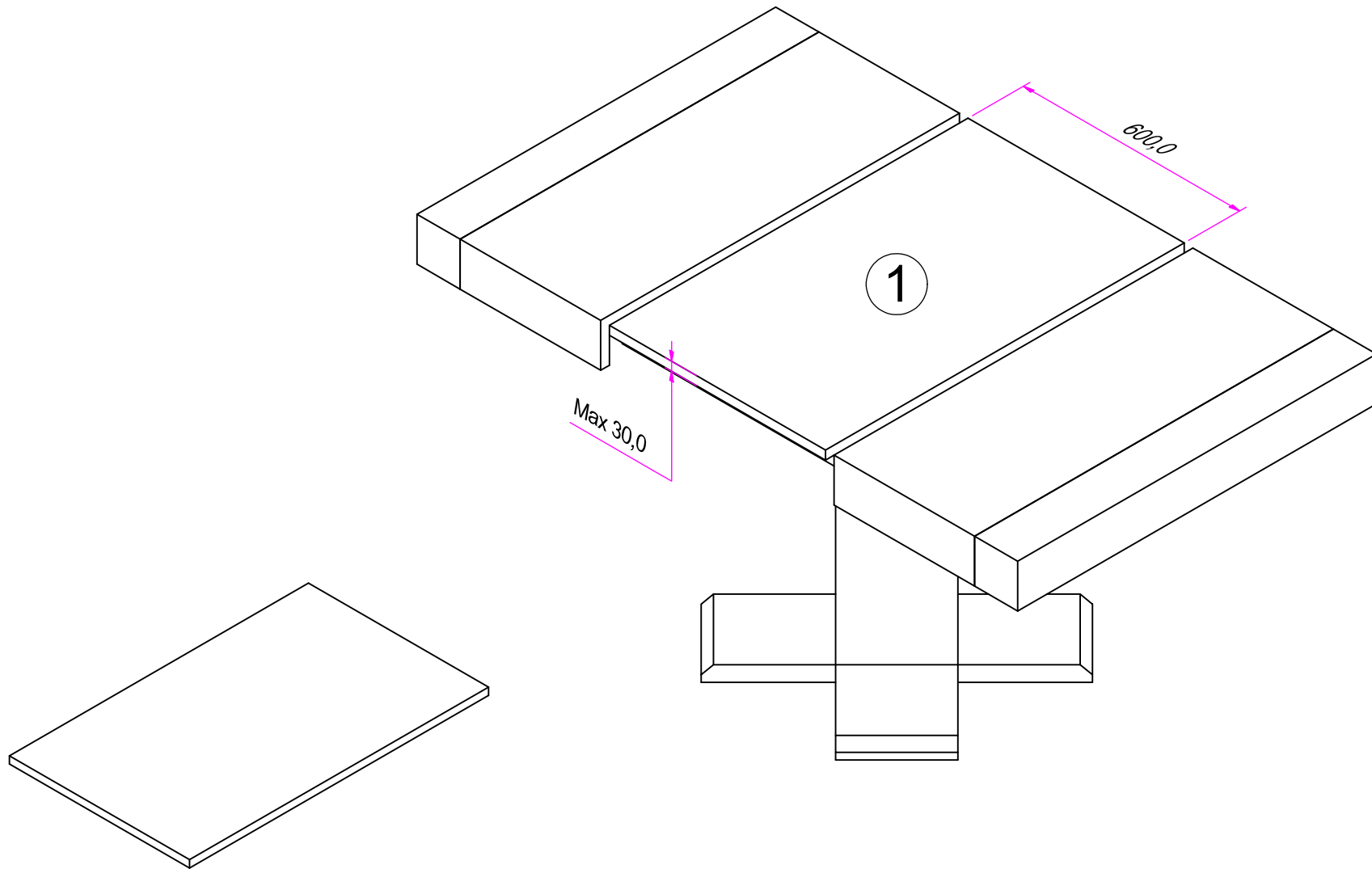
SEZ. A-A




DESIGNED BY Assia	CHECKED AND APPROVED BY Loris	DATE 28.03.2024	CODE T97720
GENERAL TOLERANCE SS-ISO-2768-1M		UNIT	SCALE SHEET 1/3
DESCRIPTION		MATERIAL Anodise aluminium alloy 6060	
DEVICES		PAIR WEIGHT	
<small>Property of Ram Industrie without its written authorization, the present drawing shall neither be used for construction anyway, communicated to third parts, not reproduced</small>			



DESIGNED BY Assia	CHECKED AND APPROVED BY Loris	DATE 28.03.2024	CODE T97720
	GENERAL TOLERANCE SS-ISO-2768-1M	UNIT	SCALE 2/3
	DESCRIPTION	MATERIAL Anodise aluminium alloy 6060	
DEVICES	PAIR WEIGHT		
<small>Property of Ram Industrie without its written authorization, the present drawing shall neither be used for construction anyway, communicated to third parts, not reproduced</small>			



DESIGNED BY Assia	CHECKED AND APPROVED BY Loris	DATE 28.03.2024	CODE T97720
	GENERAL TOLLERANCE SS-ISO-2768-1M	UNIT	SCALE 3/3
	DESCRIPTION	MATERIAL Anodise aluminium alloy 6060	
DEVICES	PAIR WEIGHT		
<small>Property of Ram Industrie without its written authorization, the present drawing shall neither be used for construction anyway, communicated to third parts, not reproduced</small>			