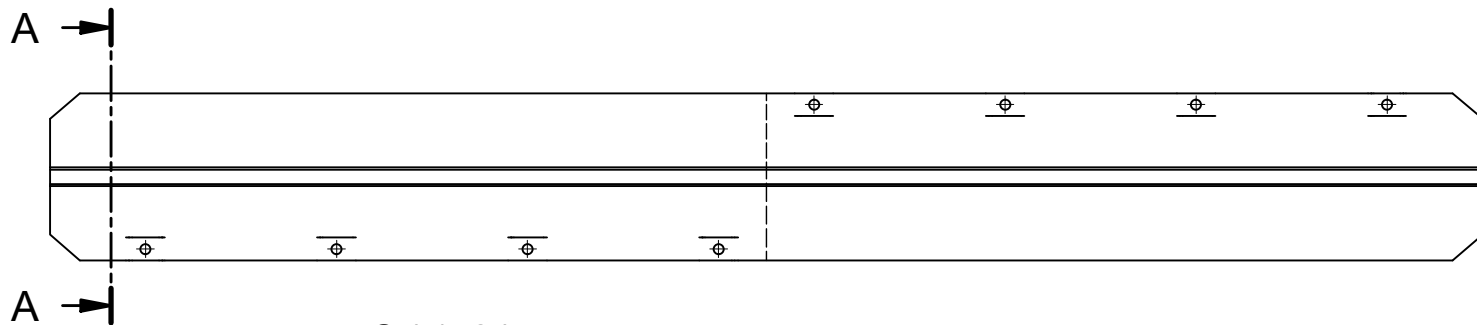
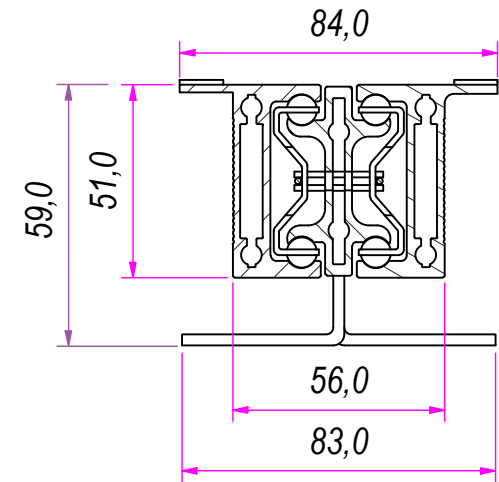
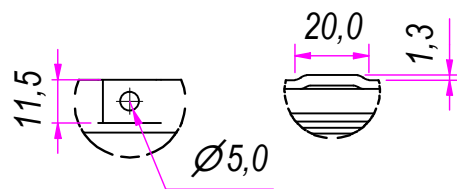


SEZ. A-A



C (1:2)



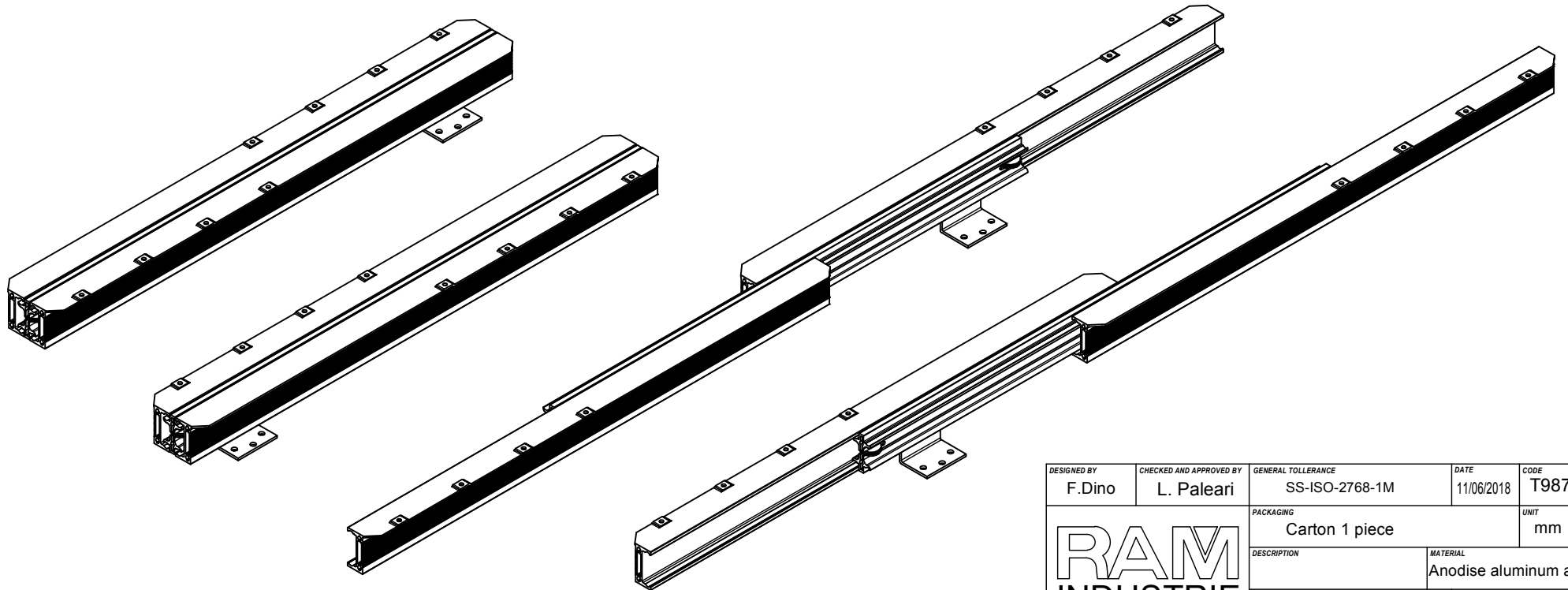
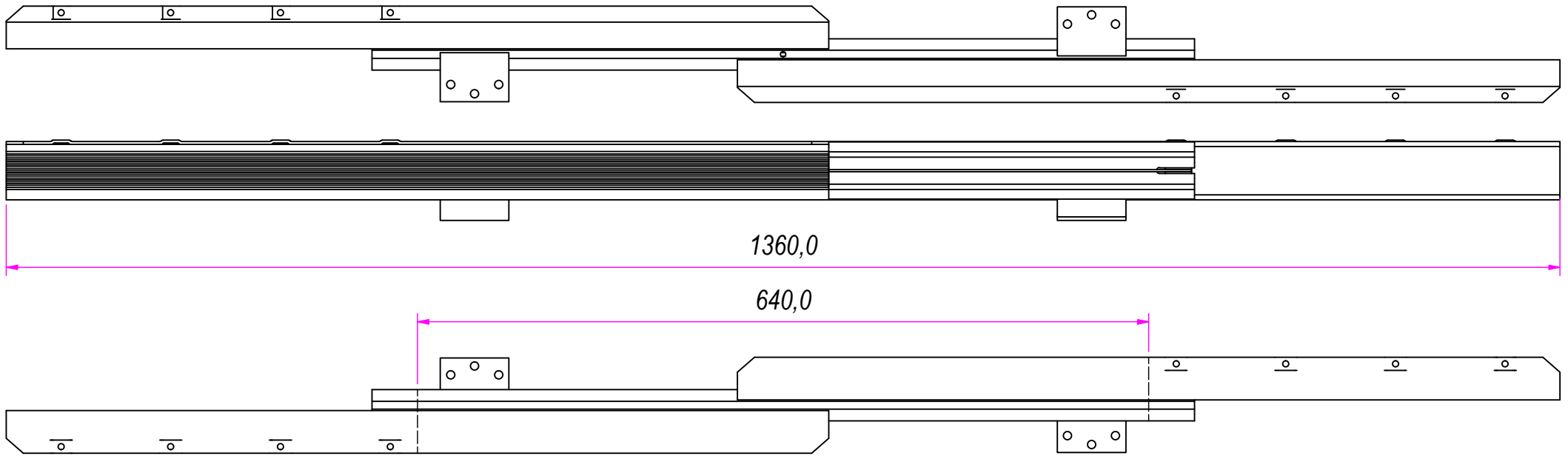
REVISION HISTORY		
REV	DESCRIPTION	DATE
1a		11/06/2018

DESIGNED BY F. Dino	CHECKED AND APPROVED BY L. Paleari	GENERAL TOLLERANCE SS-ISO-2768-1M	DATE 11/06/2018	CODE T98720
PACKAGING Carton 1 piece			UNIT mm	SHEET 1 of 3
DESCRIPTION Central synchronized movement			MATERIAL Anodise aluminum alloy 6060	
DEVICE Central synchronized movement			PAIR WEIGHT 5,6 Kg	021

RAM
INDUSTRIE

Property of RAM Industrie.

Without its written authorization the present drawing shall neither be used for construction anyway, communicated to third parties, nor reproduced.

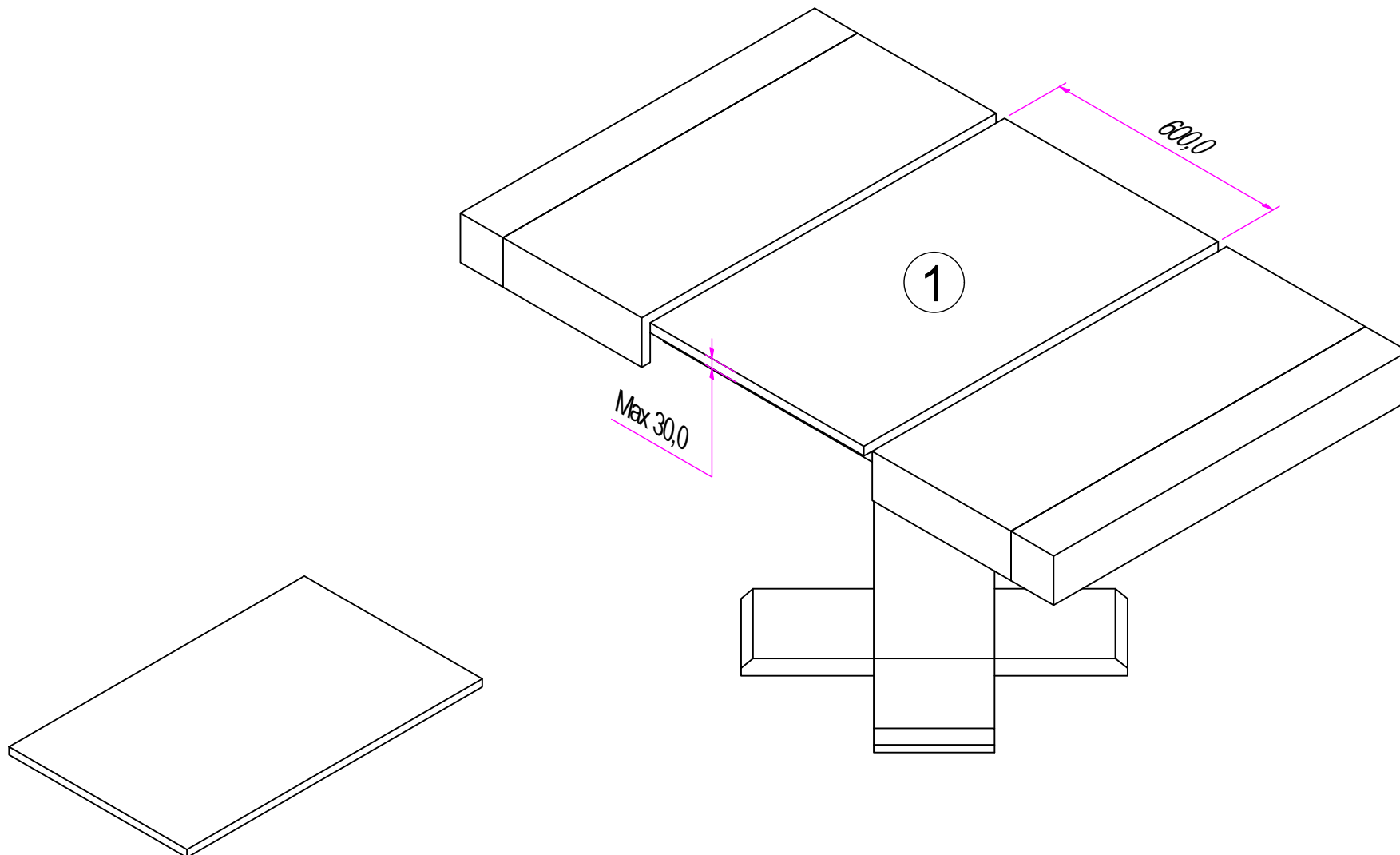


REVISION HISTORY		
REV	DESCRIPTION	DATE
1a		11/06/2018

DESIGNED BY F.Dino	CHECKED AND APPROVED BY L. Paleari	GENERAL TOLERANCE SS-ISO-2768-1M	DATE 11/06/2018	CODE T98720
PACKAGING Carton 1 piece			UNIT mm	SHEET 2 of 3
DESCRIPTION Central synchronized movement			MATERIAL Anodise aluminum alloy 6060	
			PAIR WEIGHT 5,6 Kg	021

RAM
INDUSTRIE

Property of RAM Industrie.
Without its written authorization the present drawing shall neither be used for construction anyway, communicated to third parties, nor reproduced.



DESIGNED BY F. Dino	CHECKED AND APPROVED BY L. Paleari	GENERAL TOLLERANCE SS-ISO-2768-1M	DATE 11/06/2018	CODE T98720
PACKAGING Carton 1 piece			UNIT mm	SHEET 3 of 3
		DESCRIPTION	MATERIAL Anodise aluminum alloy 6060	
		DEVICE Central synchronized movement	PAIR WEIGHT 5,6 Kg	021

Property of RAM Industrie.
Without its written authorization the present drawing shall neither be used for construction anyway, communicated to third parties, nor reproduced.